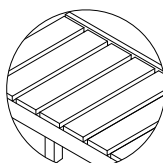


Glass Front Sauna Room Assembly



Classic Bench

TABLE OF CONTENT

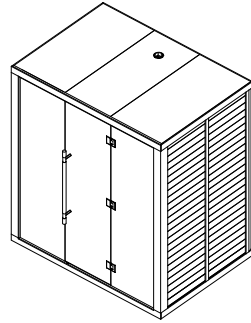
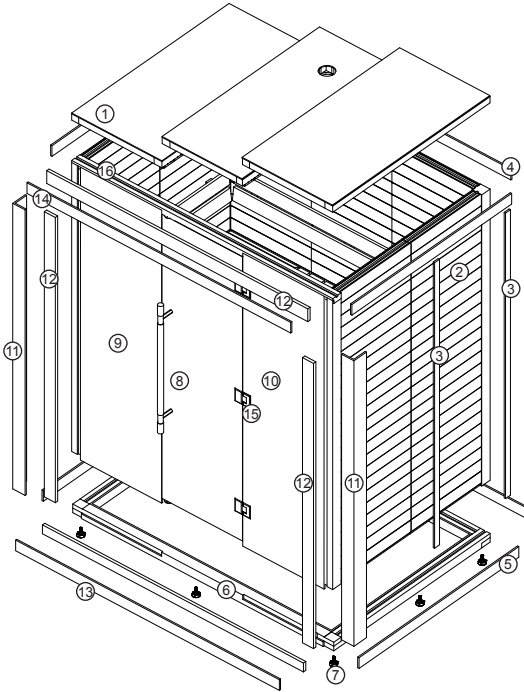
Parts List Exterior and Interior	3
Screws for Room Exterior and Interior	4
Wall Assembly	5
Ceiling Assembly	7
Interior Furnishes Assembly	8
1420ML Sauna Room	8
1414LS/RS Sauna Room.....	9
2020ML Sauna Room	10
Glass Wall Assembly	11
Electrical Layout.....	16
Sauna Maintenance	18

NOTE!

Warranty is not covering damages which are caused by installing, using or maintenance of contrary guidelines in this manual. Contact for your retailer in warranty questions.

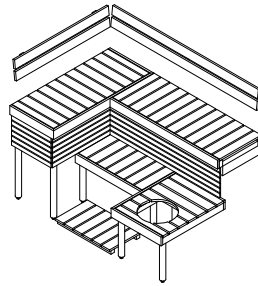
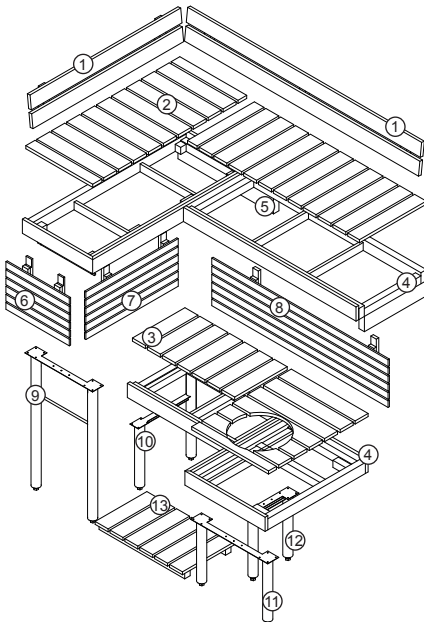
Parts List Exterior

*For room with full glass wall



1. Ceiling Assembly
2. Wall Elements
3. Exterior Moldings
4. Top Exterior Moldings
5. Bottom Exterior Moldings
6. Main Base Frame
7. Bolt Leveler
8. Door Set
9. Glass Wall (no holes)
10. Glass Window (with holes for hinges)
11. Front Outer L Moldings
12. Front Solid Moldings
13. Front Bottom Outermost Moulding
14. Front Top Outermost Moulding
15. Glass Hinge
16. Glass top frame

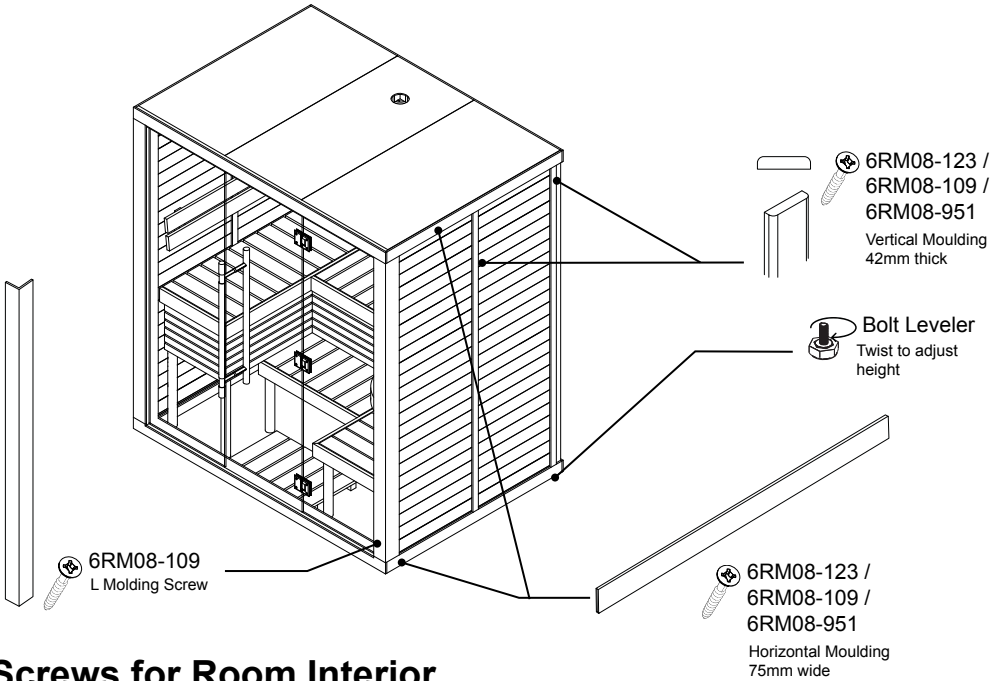
Parts List Interior



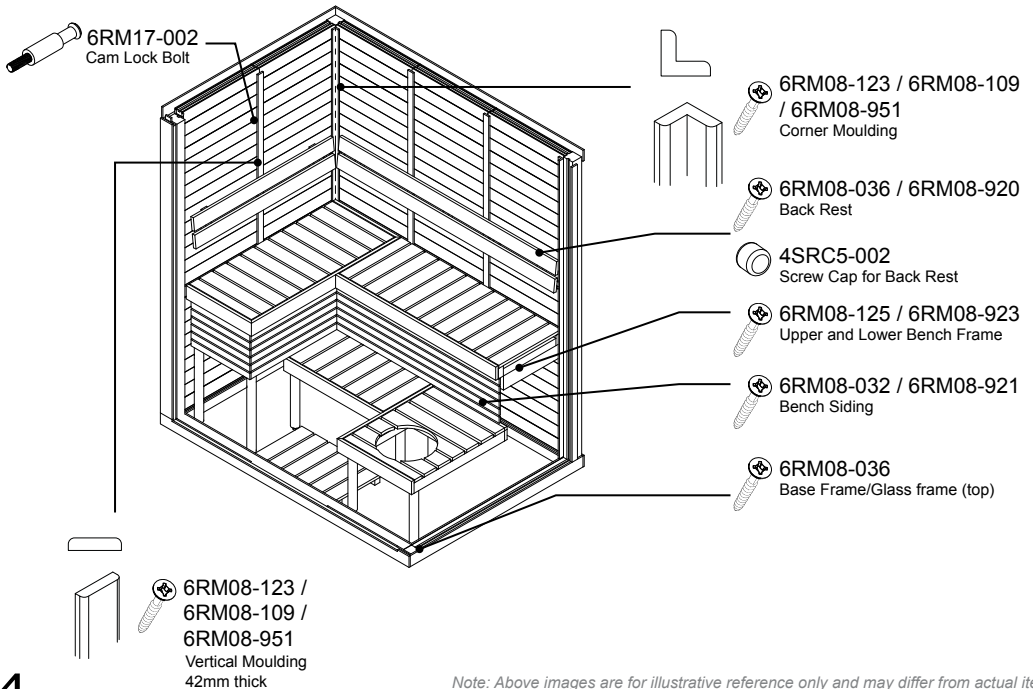
1. Backrest
2. Top Bench Cover
3. Lower Bench Cover
4. Bench Cover frame
5. Bench Cover Support
6. Bench Siding Small
7. Bench Siding Medium
8. Bench Siding Large
9. Legs large
10. Legs H
11. Legs medium
12. Legs small
13. Flooring

Note: Above images are for illustrative reference only and may differ from actual item.

Screws for Room Exterior



Screws for Room Interior

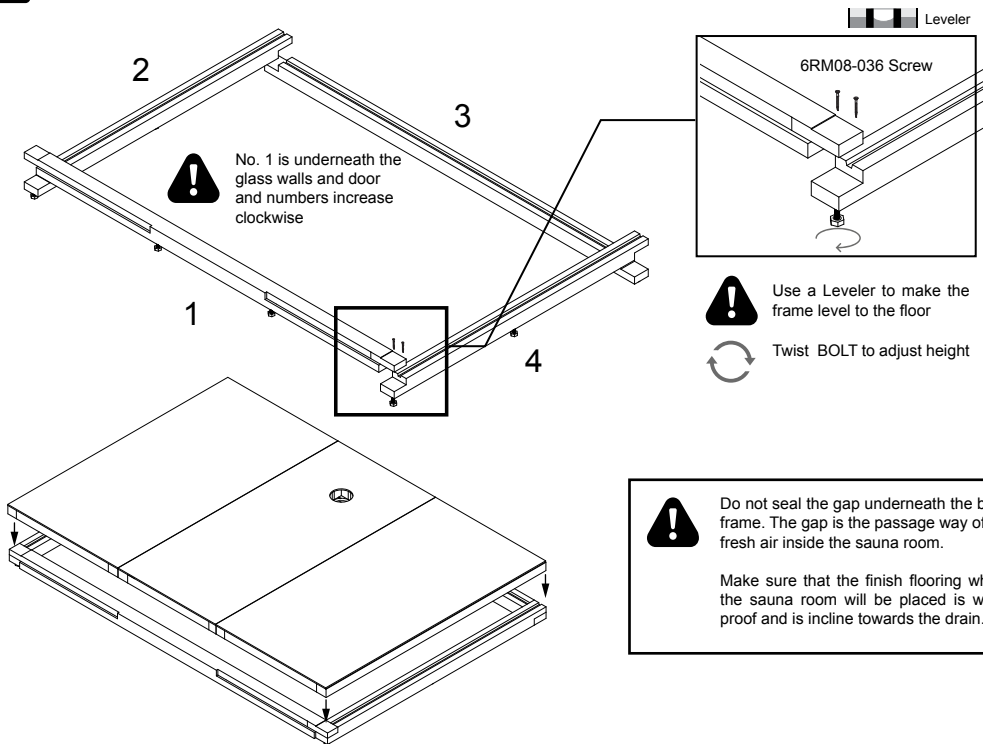


Note: Above images are for illustrative reference only and may differ from actual item.

Wall Assembly

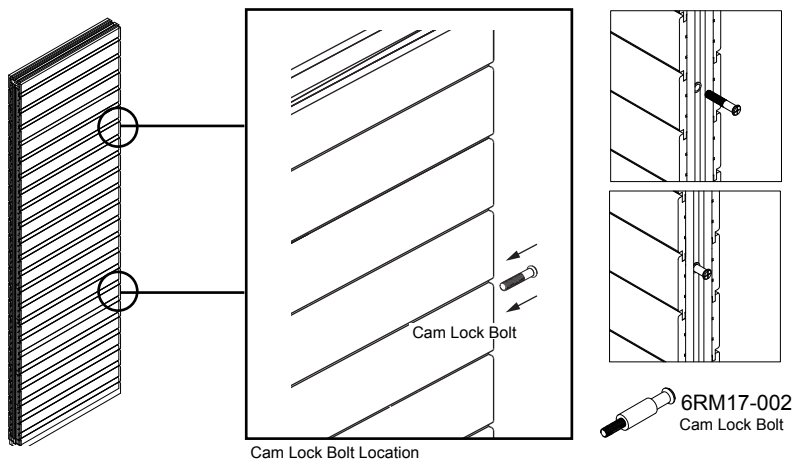
Frames, Cam Lock

01 Connect base frames according to their corresponding numbers.



! Optional.
After the base frame is leveled, place the ceiling assembly on the base frames to check if it fits nicely and leveled (great help after wall assembly)

2A Insert Cam Lock Bolts on Wall Panels.

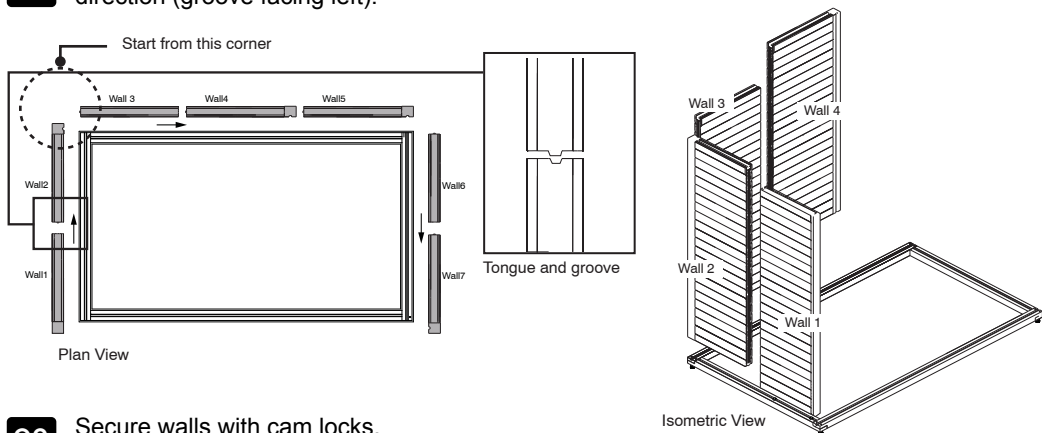


Note: Above images are for illustrative reference only and may differ from actual item.

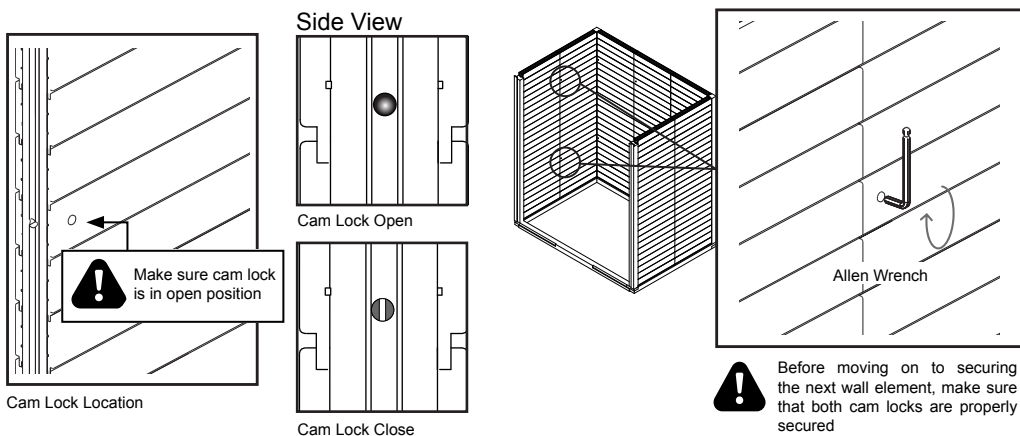
Wall Assembly

Wall Attachments and Sequence

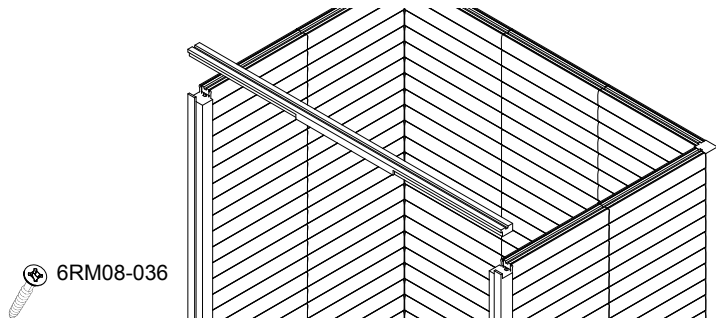
2B Attach wall panels from the first corner (for easy installation). Take note of the grooves direction (groove facing left).



03 Secure walls with cam locks.

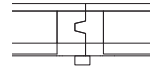
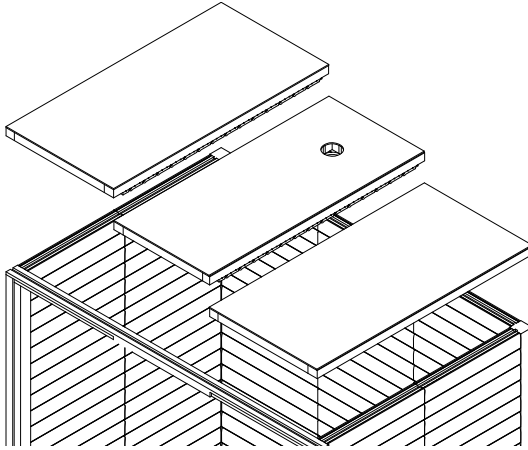


04 Attached Glass Top Frame.

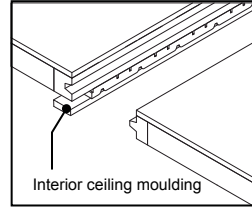
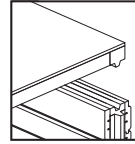


Ceiling Assembly

05 Attach Ceiling Assembly via tongue to Groove.



Ceiling to ceiling connection side view

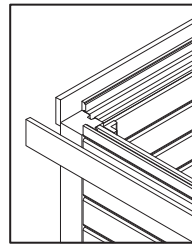
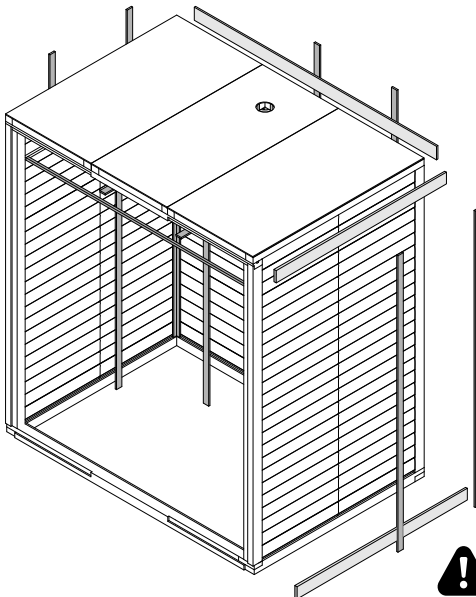


Interior ceiling moulding

⊕ 6RM08-123
Vertical Moulding
42mm thick

! Check that the ventilation hole is in the right position (refer to plan drawing for ventilation location)

06 Attach all mouldings except “Front top/bottom outermost molding and Outer L mouldings” (only after front glass is installed).



⊕ 6RM08-123 /
⊕ 6RM08-109 /
⊕ 6RM08-951
Horizontal Moulding
75mm wide

⊕ 6RM08-123 /
⊕ 6RM08-109 /
⊕ 6RM08-951
Vertical Moulding
Small 22mm thick

⊕ 6RM08-123 /
⊕ 6RM08-109 /
⊕ 6RM08-951
Vertical Moulding
42mm thick

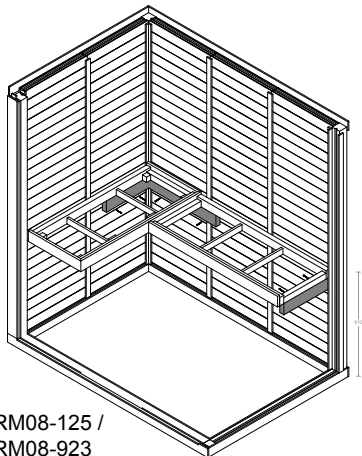
! At this stage make sure all internal mouldings are attached as it will be hard to do once the benches are installed

Note: Above images are for illustrative reference only and may differ from actual item.

Interior Furnishes Assembly

1420ML Sauna Room

- 07** Attach Bench Support at suggested height with screws, then place over the Bench Frame Assembly and screw to wall.

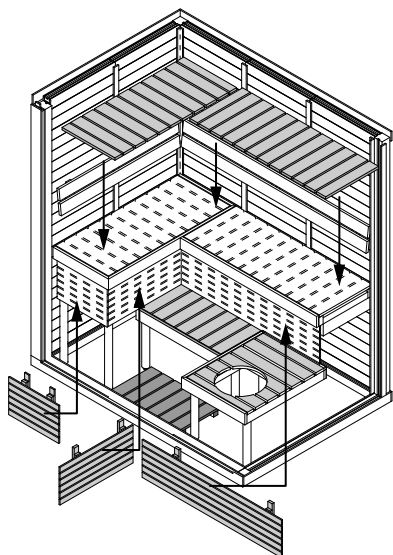


⦿ 6RM08-125 /
6RM08-923
Upper and Lower Bench Support



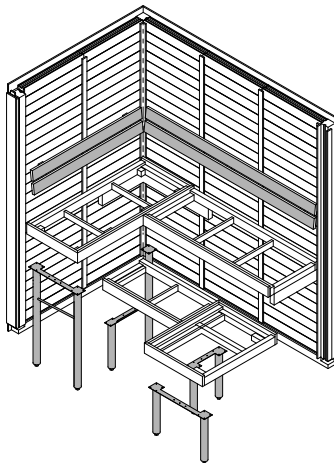
Height dimensions should be taken in reference to the base frame. There are markers as well on the wall panels as reference for bench support mounting.

- 9** Install sidings, bench covers and flooring.



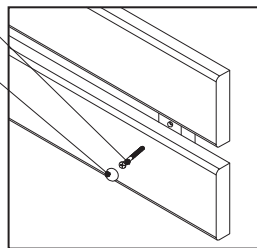
⦿ 6RM08-032 / 6RM08-921
Bench Siding

- 08** Attach back rest to wall, attach leg support to bench frame.

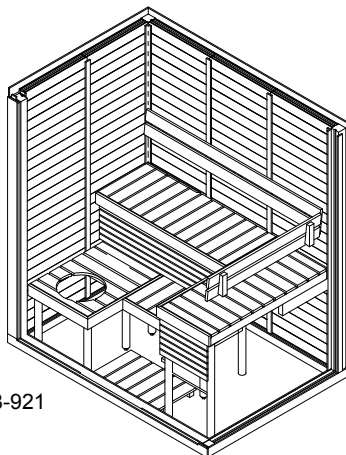


6RM08-036 Screw

Screw Cap



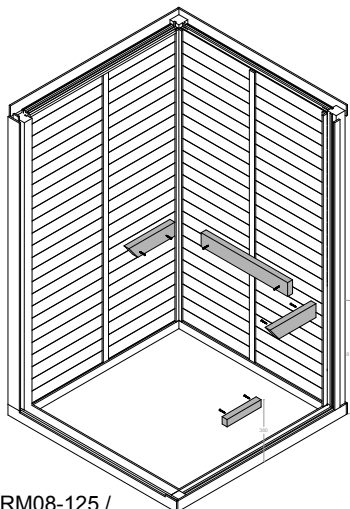
- 10** Interior layout are all reversible, as shown on the illustration



Interior Furnishes Assembly

1414LS/RS Sauna Room

A Attach bench support at designated height (reference markers on the wall).

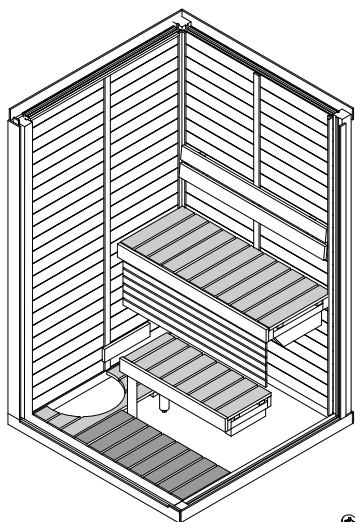


⊕ 6RM08-125 /
6RM08-923
Upper and Lower Bench Support



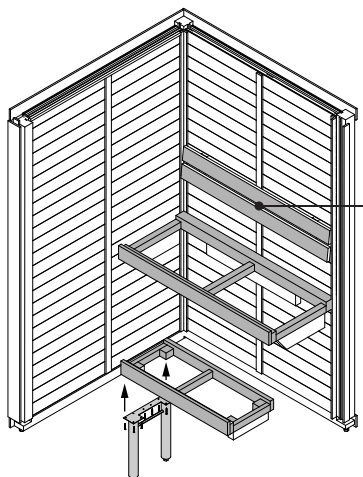
Height dimensions should be taken in reference to the base frame. There are markers as well on the wall panels as reference for bench support mounting.

C Attach top/lower bench covers, flooring and siding.

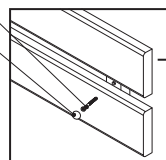


Flooring is a 2 piece set.
(For reverse interior layout)

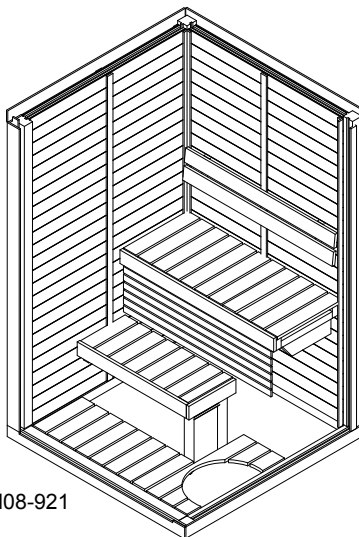
B Attach back rest to wall then attach leg support to bench frame before attaching the frames to the wall.



6RM08-036 Screw
Screw Cap



D The heater layout are all reversible, as shown on the illustration.



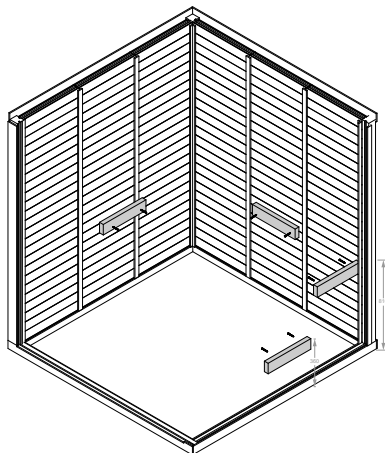
⊕ 6RM08-032 / 6RM08-921
Bench Siding

Note: Above images are for illustrative reference only and may differ from actual item.

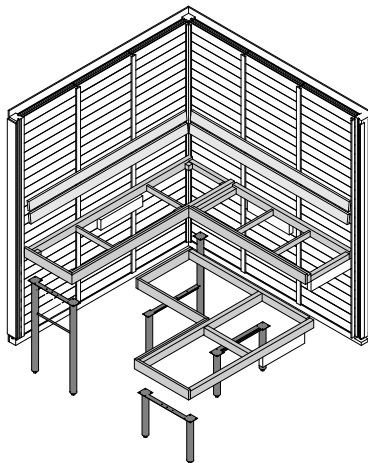
Interior Furnishes Assembly

2020ML Sauna Room

A Attach bench support at designated height (reference markers on the wall).



B Attach back rest to wall, attach leg support to bench frame before attaching the bench support frames to the wall.

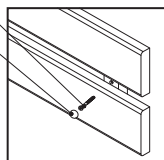


⊕ 6RM08-125 / 6RM08-923
Upper and Lower Bench Support

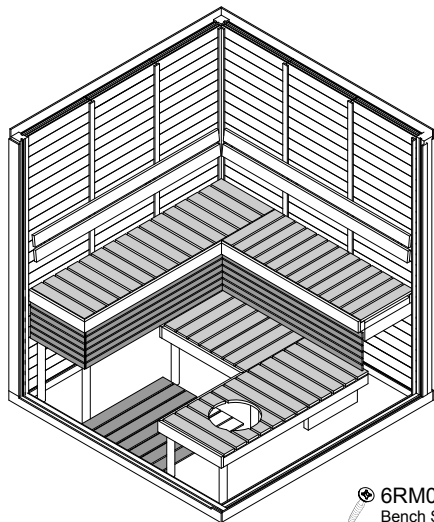


Height dimensions should be taken in reference to the base frame. There are markers as well on the wall panels as reference for bench support mounting

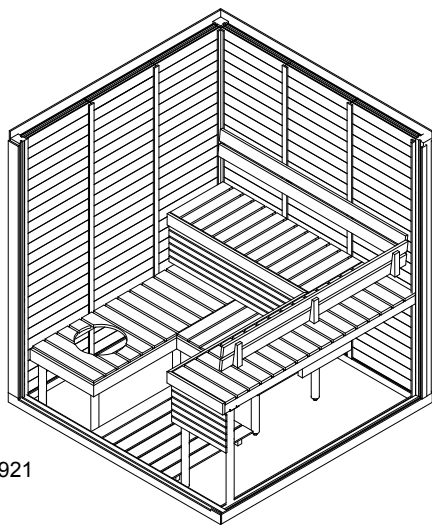
6RM08-036 Screw
Screw Cap



C Attach top/lower bench covers, flooring and siding.



D Interior layout are all reversible, as shown on the illustration.



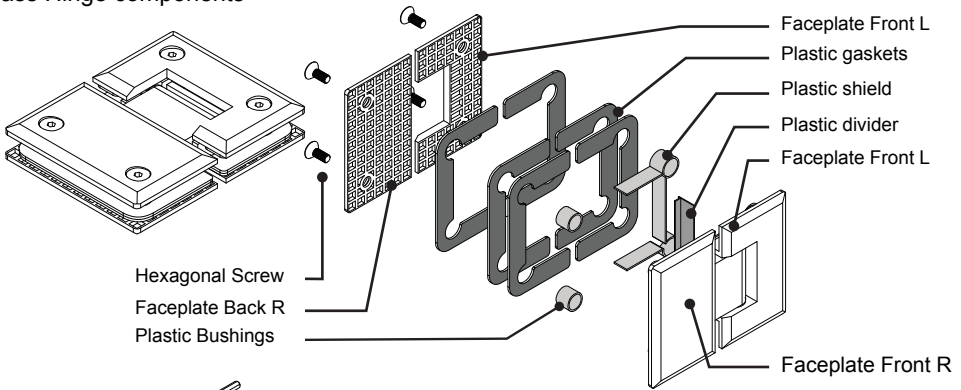
⊕ 6RM08-032 / 6RM08-921
Bench Siding



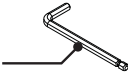
Flooring is a 2 piece set.
(For reverse interior layout)

Glass Wall Assembly

Glass Hinge components

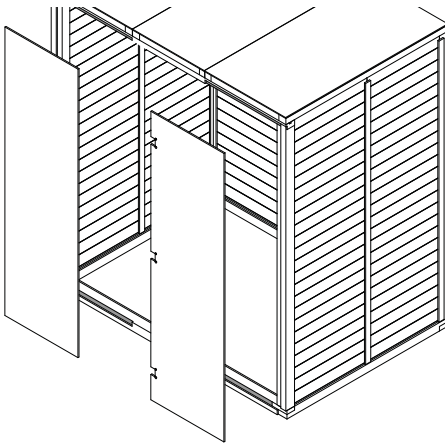


Allen Wrench



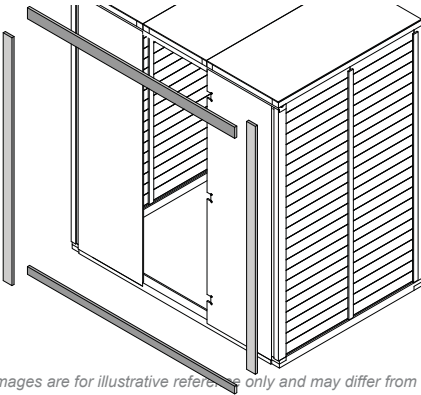
Annoying sounds can be heard from improper hinge assembly, ensure correct assembly along with the plastic spacers.

11 Attach the glass walls where the glass frames ridges are located.



Annoying sounds can be heard from improper hinge assembly, ensure correct assembly along with the plastic spacers.

12 Then secure it with outermost solid molding with a screw.

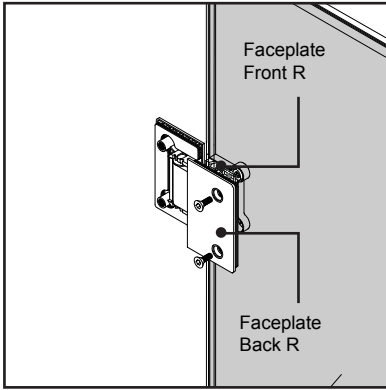


Note: Above images are for illustrative reference only and may differ from actual item.

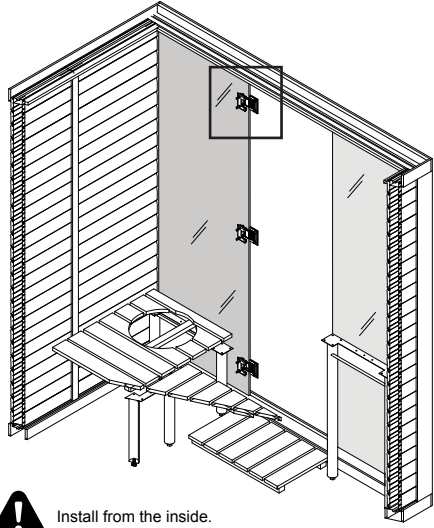
Glass Wall Assembly

Glass Door Installation and Alignment

- 13** Attach the Faceplate Front R to the glass wall and secure with Faceplate Back R with screws.

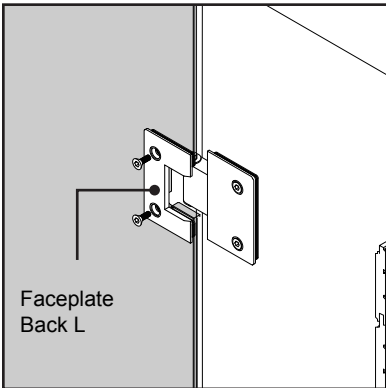


Glass Wall from inside.

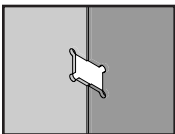


Install from the inside.

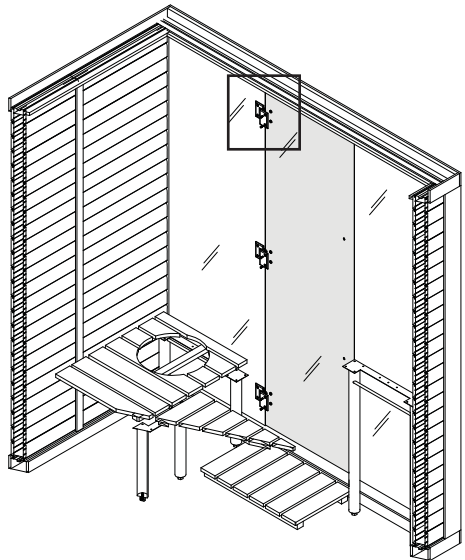
- 14** Loosely install the glass door then secure with Faceplate Back R.



Faceplate Back L



Glass Door from inside.



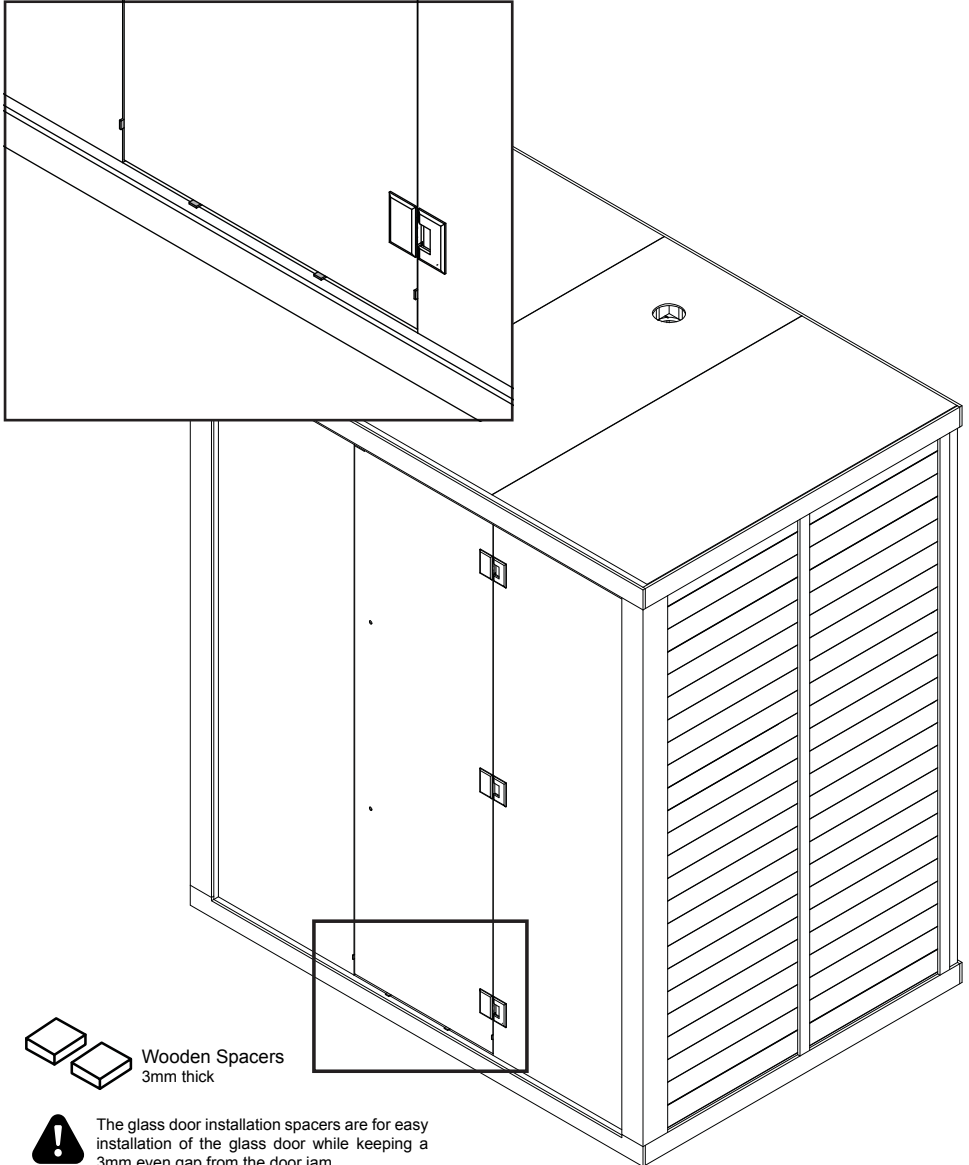
Take note of the holes. The glass wall holes has a square cutout in the middle. Don't forget to insert the plastic gasket and plastic divider.

Glass Wall Assembly

Glass Door Installation and Alignment

- 15** Make and insert a 3mm thick wooden spacers underneath the glass door as well as the sides of the door (see illustration below). Then tighten the door hinges screws when glass door has even spacing all around.

Note: Wooden spacers are not included in the package.

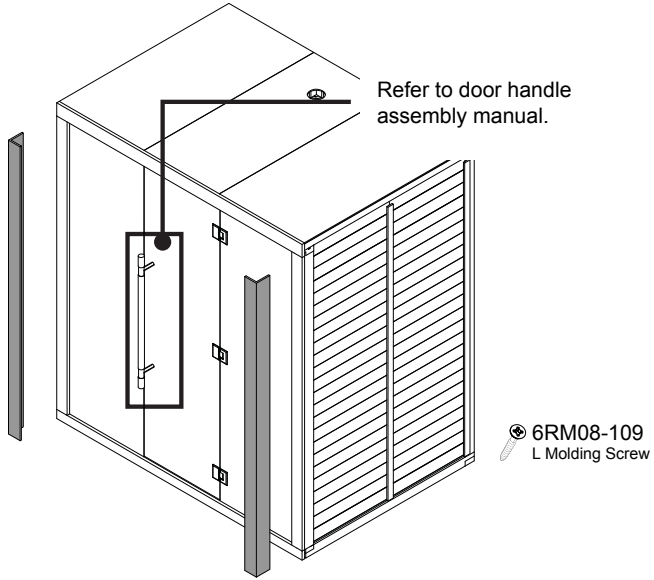


Remove the installation spacers after installing the door.

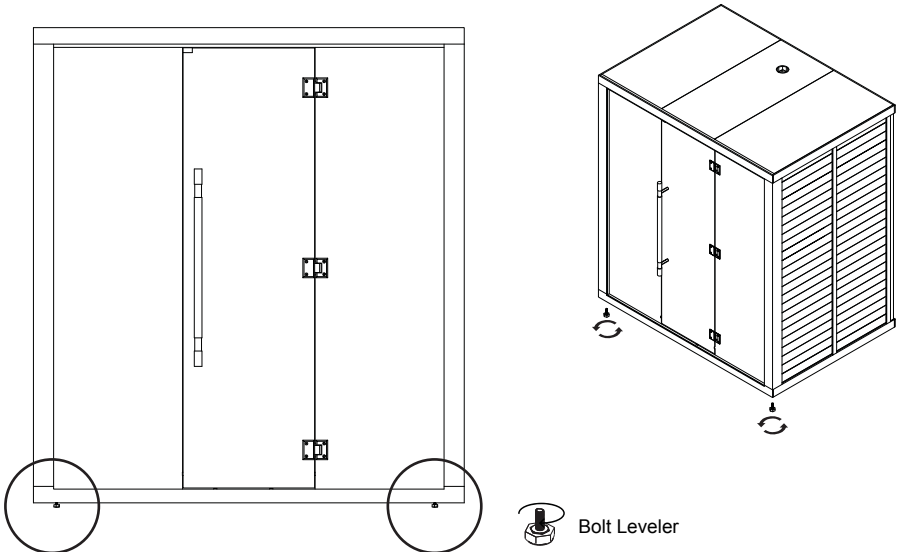
Glass Wall Assembly

Glass Door Installation and Alignment

16 Attached remaining Front outer L Moulding.

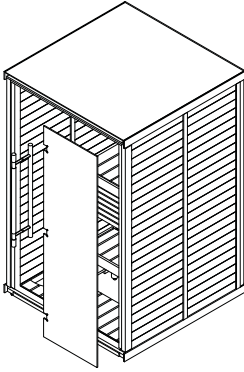


Tips After the installation and there is still uneven gaps on glass door, align it by rotating the abs bolt leveler until the glass wall swings freely.

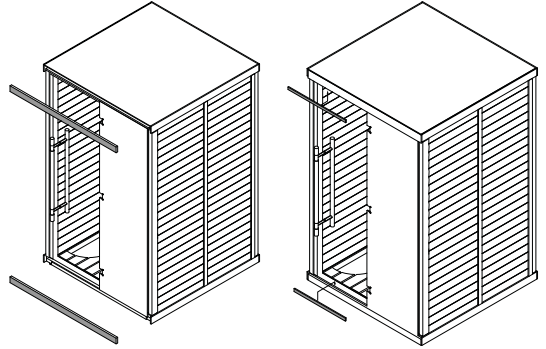


Glass Wall Assembly (1414LS/RS)

A Attach the glass wall where the glass frames ridges are located.



B Secure the glass wall with solid molding with a screw and insert top/bottom glass filler.

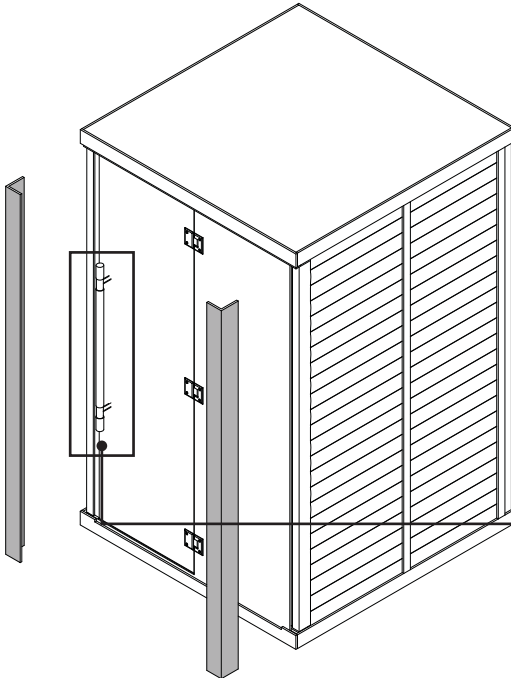


C Follow glass door installation from Fig. 13-15.



Glass filler fills the small gap on top and below the glass door. Its reversible depends on the interior layout orientation.

D Then attached remaining Front outer L Moulding.



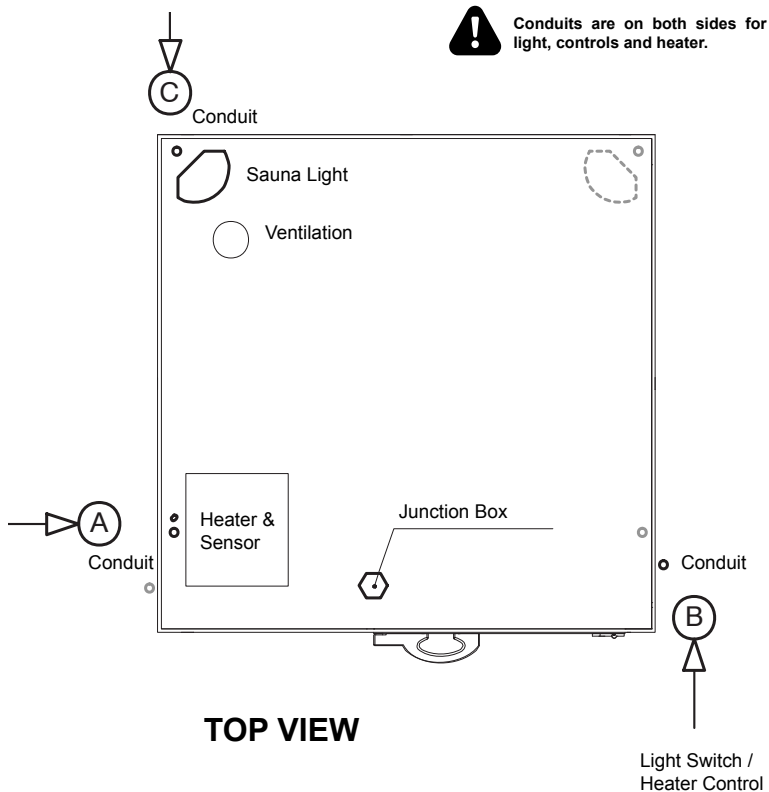
Refer to door handle assembly manual.



Allen Wrench

Electrical Layout

17 Electrical / Wiring Locations



Electrical Conduit Locations:

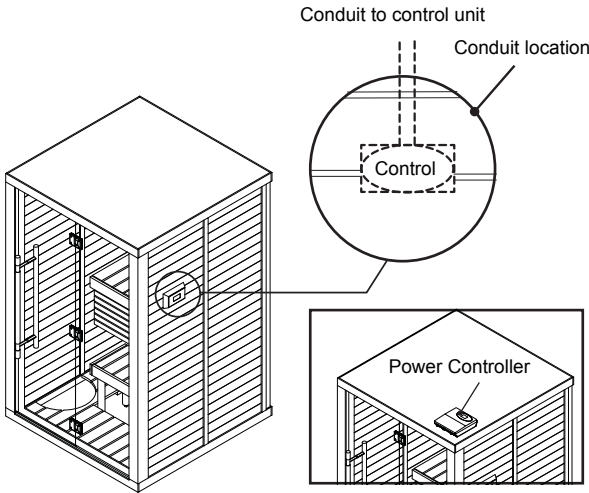
- For heater and regulating sensor
- For sauna light switch and heater control
- For sauna light

Wire Installation:

1. Install junction / utility box into the ceiling roof as indicated.
2. Insert wires into the electrical conduit designated for the sauna light switch (for NB heaters) or sauna control unit (for NS heaters).
3. Insert wires into the electrical conduit designated for the heater (see technical detail). Extra wire jacket is provided for hooking up single wires to the heater. Disregard the extra wire jacket if you are using a rubber cable that is specified in the heater's manual.
4. Tapping of wires will be done at the junction box.

Electrical Layout

18 Separate Control Installation (NS model heaters only)



A conduit pipe is provided for the control unit.

If wanting to flush the control unit into the wall, cut a hole according to your control unit's specifications. See heater control manual.



Control unit must not be flushed to the wall, near or on the wall where the heater is installed.

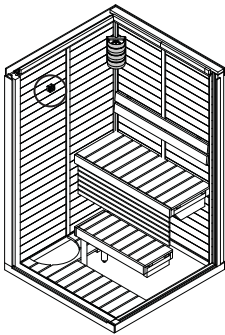
Use control unit interface holder if necessary.

You can hide the power controller on the top of the sauna room.



Refer to heater control instruction manual for wiring connections.

19 Sensor Installation

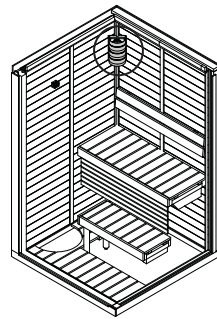


Note: Sensor installation is for Separate control heater models only.

A pre-drilled hole for the sensor is provided for separate control heaters.

Sensor is placed directly above the heater. Refer to the heater control instruction manual for the sensor installation.

20 Light Installation



The wall has a pre-drilled hole(s) for the lights. Insert wire(s) to the conduit(s) provided for the lights.

When ordering sauna room with NB heater, a dimmer switch is provided for the light(s).

When using NS heater, refer to the heater control instruction manual for the light installation.

Sauna Maintenance

AFTER EVERY SAUNA SESSION:

- ✓ It is recommended to use bench towels during sauna session to prevent sauna benches getting dirty.
- ✓ After sauna session, leave heater on for 30 minutes so sauna will dry faster. After that, open air vents or sauna door.
- ✓ Empty pail from water.

AT LEAST 1 -4 TIMES PER YEAR:

- ✓ Wash sauna surfaces with warm water and multi-purpose detergent. Use soft brush. Wash sauna benches, ceiling, floor and walls. Do not use detergent which includes ammonia or chlorine. Rinse surfaces with cold water and ventilate sauna room well. If needed, protect wood surfaces with wood treatment oil. Read carefully the instructions of wood treatment oil from product packaging.
- ✓ If sauna benches are not getting clean after washing, sand the benches with sandpaper. Protect benches with wood oil. Do not heat the sauna room straight after treatment.
- ✓ If there is calcium stains or other dirt on the heater cover, clean it with mild soap water. You can also use SAWO Decalcifying solution for washing the stains. Dry after wash.
- ✓ Clean glass surfaces with window cleaning agent or dish soap. Rinse well and dry with a squeegee or a dry cloth.
- ✓ Check screws (door, sauna benches, railings). Tighten up if necessary.
- ✓ Clean the floor drain.

Subject to change without notice.



www.sawo.com | info@sawo.com