



Outdoor Sauna Room Assembly Manual



Classic Bench



Piano Bench



Wave Bench

TABLE OF CONTENTS

Parts List Exterior and Interior	3
Parts List Interior (L-type Bench)	4
Parts List Interior (Wave-type Bench).....	5
Screws for Room Exterior and Interior	6
Wall Assembly	7
Ceiling Assembly	9
Moulding Installation Sequence	10
Interior Furnishes Assembly	12
Interior Furnishes Assembly (Bench Support)	14
Interior Furnishes (Bench Covers).....	15
Electrical Layout.....	16
Roof Assembly	18
Sauna Maintenance	21

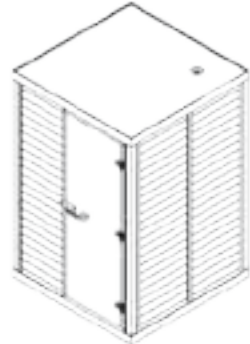
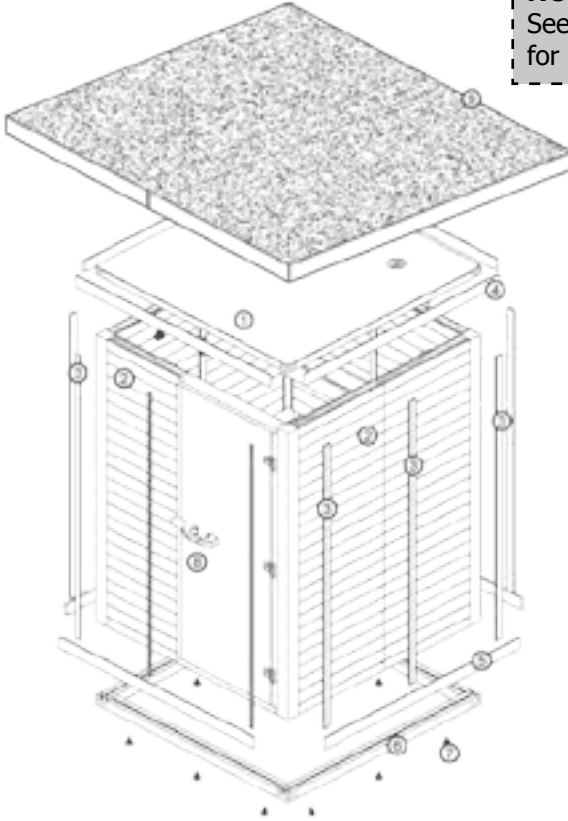
NOTE!

Warranty is not covering damages which are caused by installing, using or maintenance of contrary guidelines in this manual. Contact for your retailer in warranty questions.

Parts List Exterior

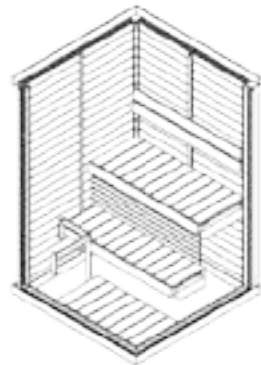
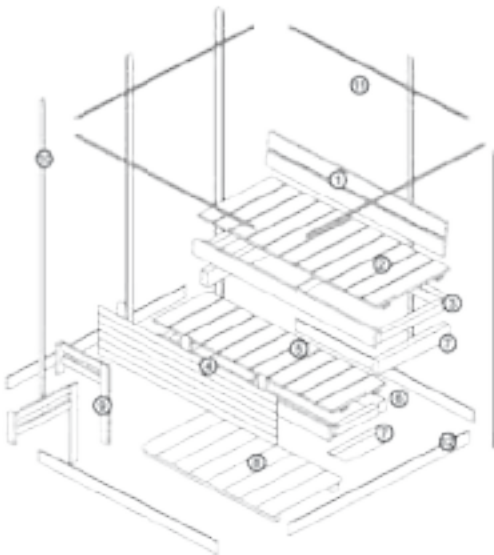
NOTE!

See roof assembly page for parts list.



1. Ceiling Assembly
2. Wall Elements
3. Exterior Mouldings
4. Top Exterior Mouldings
5. Bottom Exterior Mouldings
6. Main Base Frame
7. ABS Bolt Leveler
8. Door Set
9. Roof Assembly

Parts List Interior



1. Back Rest
2. Top Bench Cover
3. Top Bench Frame
4. Bench Siding
5. Lower Bench Cover
6. Lower Bench Frame
7. Bench Supports
8. Flooring
9. Collapsible heater guard
10. Internal Mouldings
11. Internal Top Mouldings
12. Internal Bottom Horizontal Mouldings

Note: Above images are for illustrative reference only and may differ from actual item.

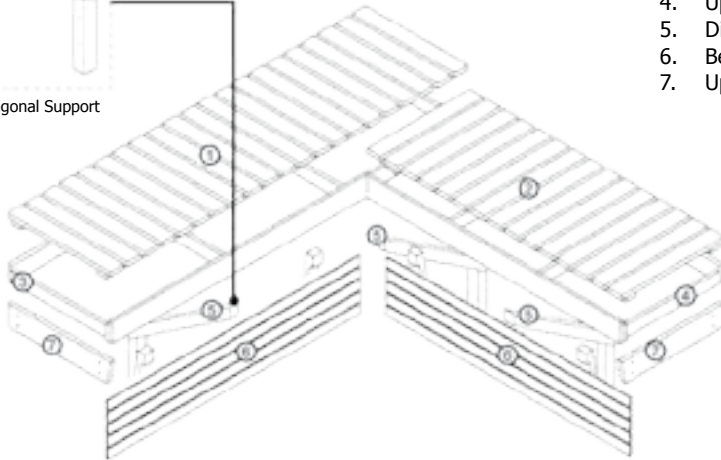
Parts List Interior (L-type Bench)

*For larger sauna room.



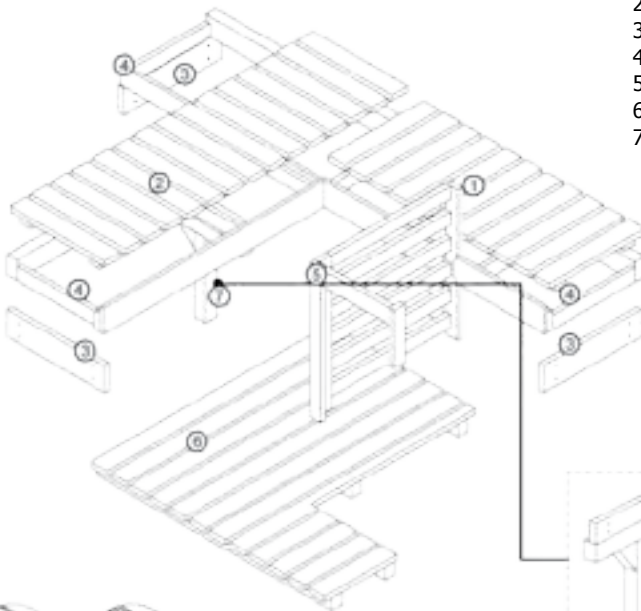
Diagonal Support

1. Upper Bench Cover 1A
2. Upper Bench Cover 1B
3. Upper Bench Frame 1A
4. Upper Bench Frame 1B
5. Diagonal Support
6. Bench Siding
7. Upper Bench Support



(L-type Lower Bench)

1. Lower Bench Cover 2A
2. Lower Bench Cover 2B
3. Lower Bench Support Frame 2A
4. Lower Bench Support Frame 2B
5. Collapsible Heater guard
6. Sauna Flooring
7. T-Support



T-Support



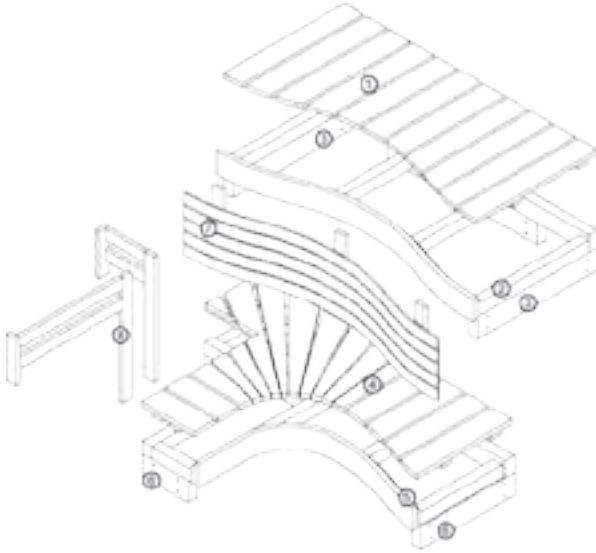
Classic Bench



Piano Bench

Parts List Interior (Wave-type Bench)

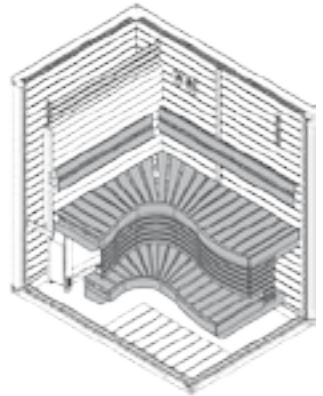
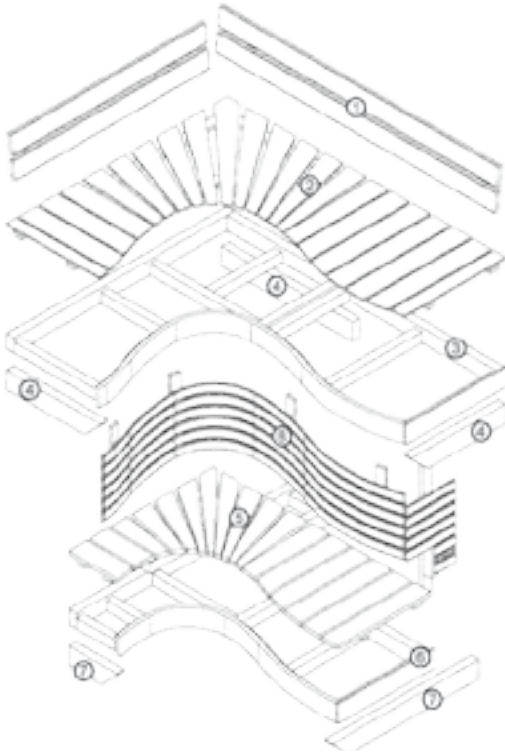
*For room with wave design benches.



1. Upper Bench Cover
2. Upper Bench Frame
3. Upper Bench Support
4. Lower Bench Cover
5. Lower Bench Frame
6. Lower Bench Support
7. Bench Siding
8. Collapsible heater guard

Parts List Interior (L-type Wave Bench)

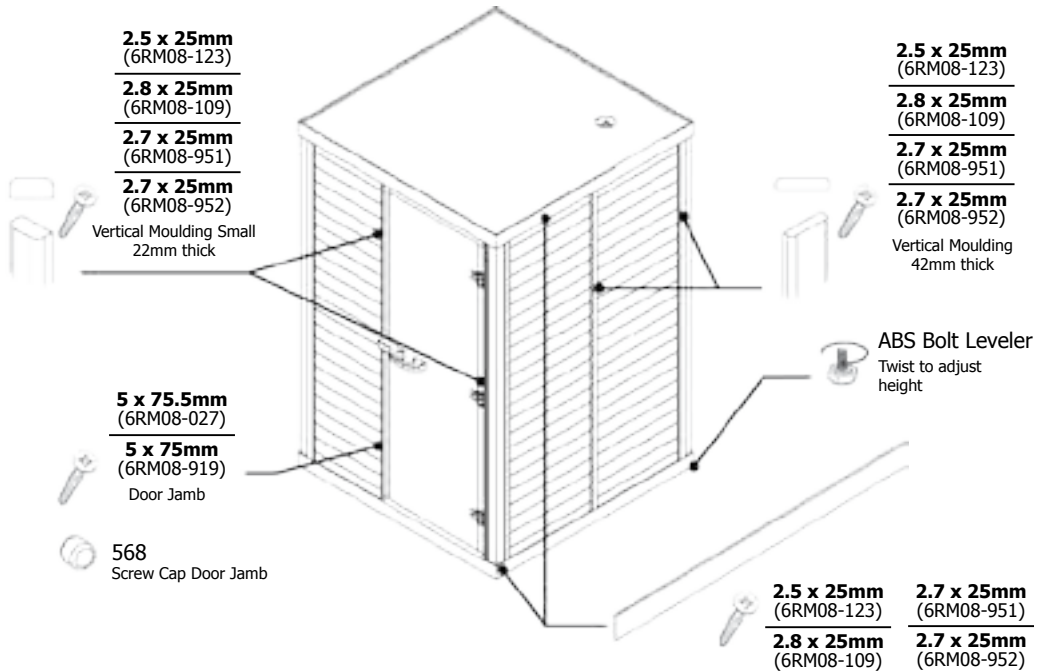
*For room with larger wave design benches.



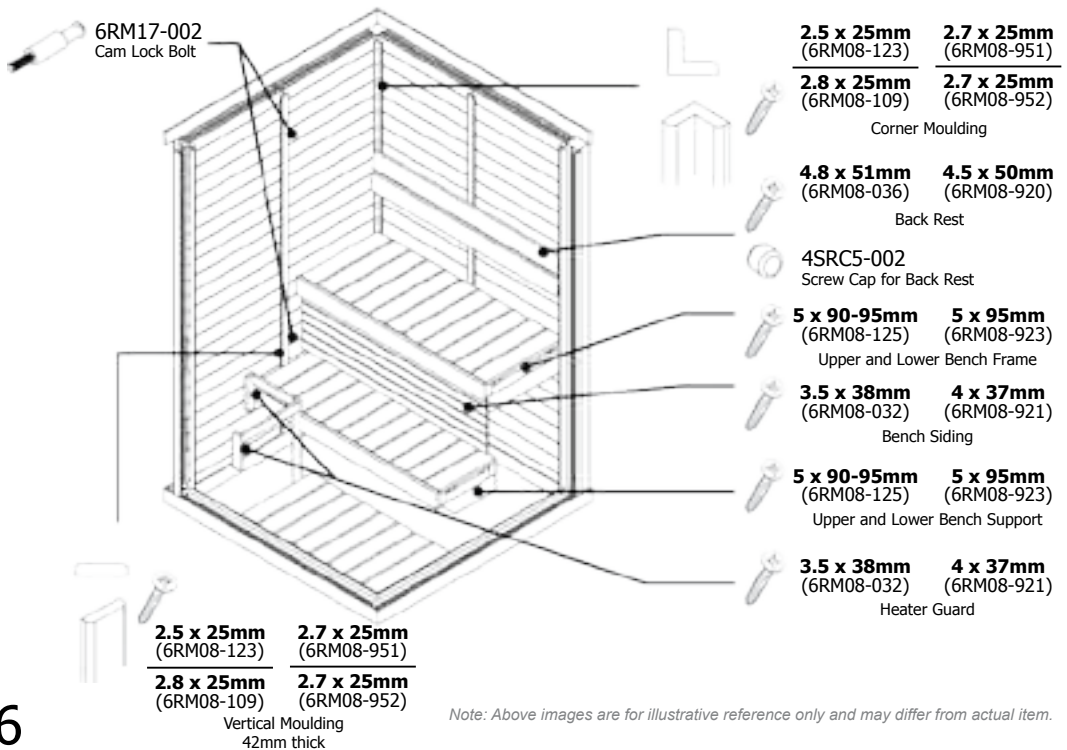
1. Back Rest
2. Upper Bench Cover
3. Upper Bench Frame
4. Upper Bench Support
5. Lower Bench Cover
6. Lower Bench Frame
7. Lower Bench Support
8. Bench Siding

Note: Above images are for illustrative reference only and may differ from actual item.

Screws for Room Exterior



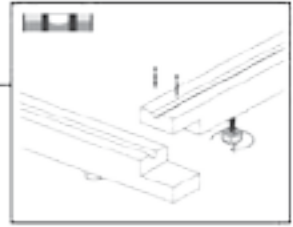
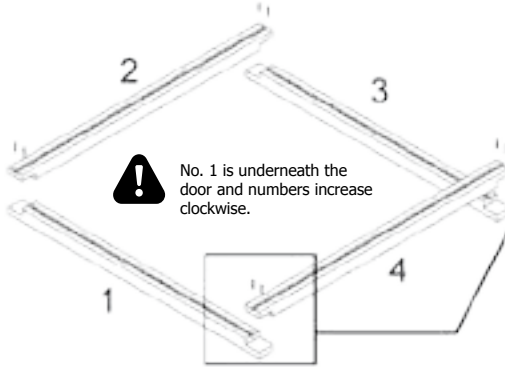
Screws for Room Interior



Note: Above images are for illustrative reference only and may differ from actual item.

Wall Assembly

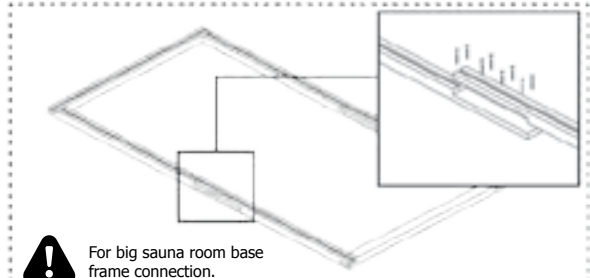
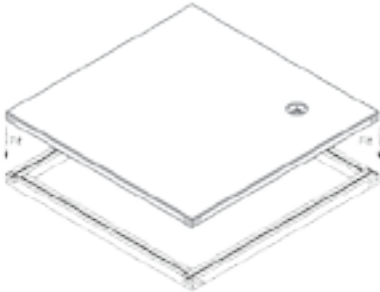
01 Connect base frames according to their corresponding numbers.



Use Leveler to make the frame leveled.



Twist ABS BOLT to adjust height.



For big sauna room base frame connection.



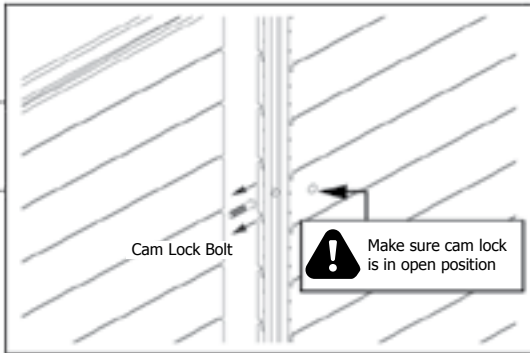
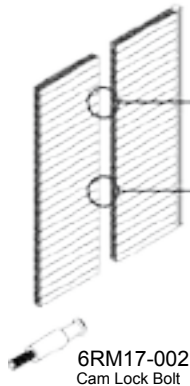
Optional. After the base frame is leveled, fit in the ceiling assembly on the base frames to check if it fits nicely and leveled (great help after wall assembly).



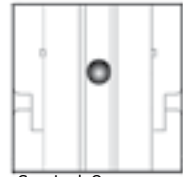
Do not seal the gap underneath the base frame. The gap is the passage way of the fresh air inside the sauna room.

Make sure the finish flooring where the sauna room will be placed is water proof with incline floor towards the drain.

02 Insert cam lock bolts on wall panels.

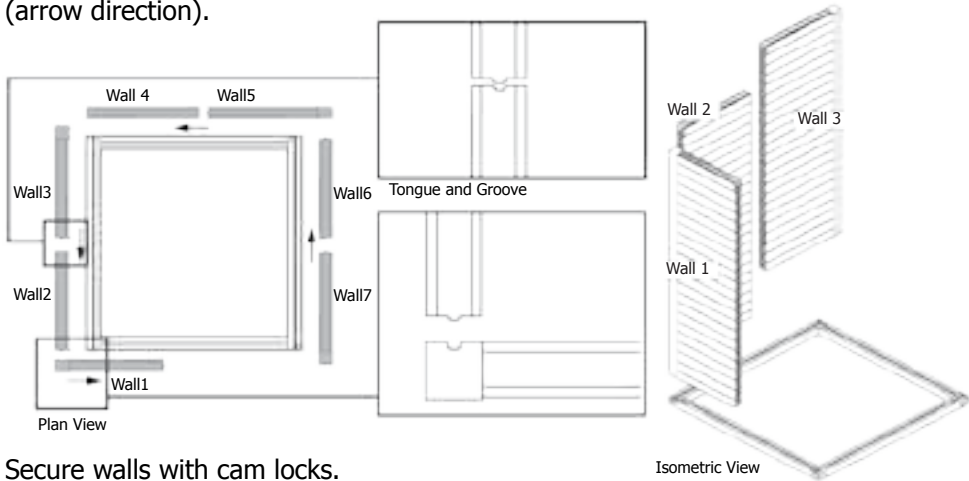


Side View

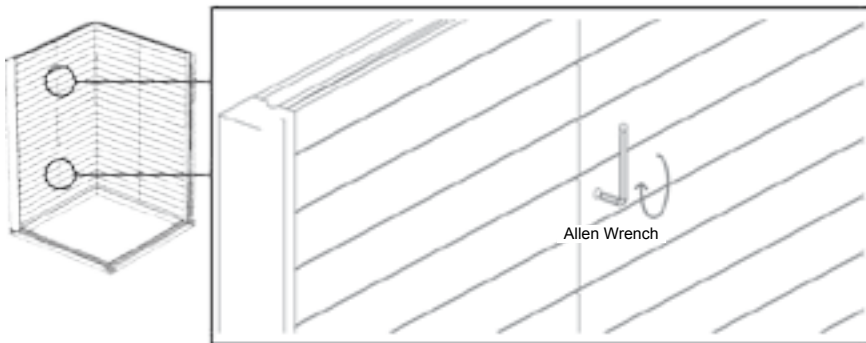


Wall Assembly

03 Attach wall panels according to their label. Take note of the grooves direction (arrow direction).

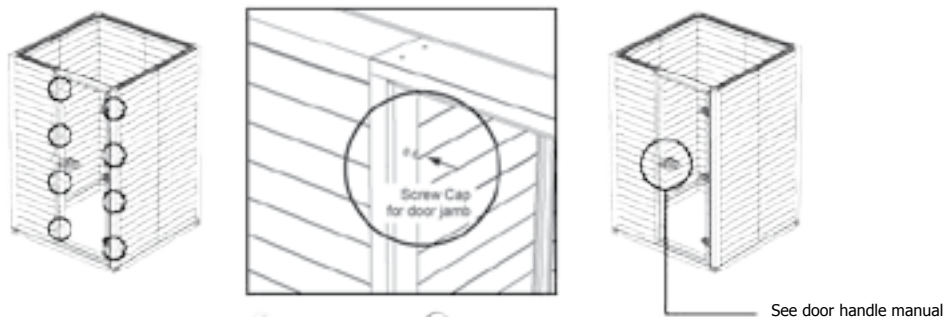


04 Secure walls with cam locks.



! Before moving on to securing the next wall element, make sure that both cam locks are properly secured.

05 Secure door jamb with screws then cover with screw caps.



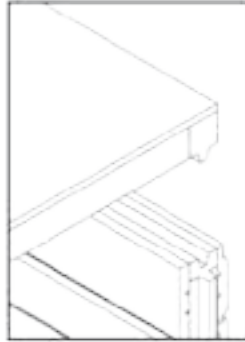
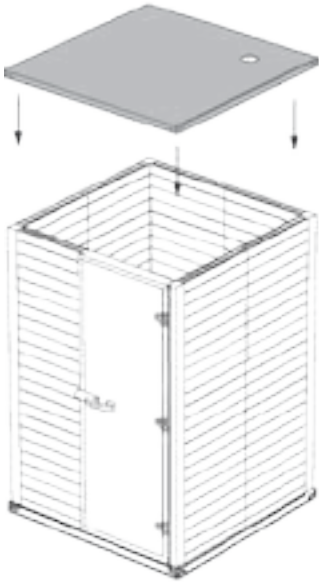
! Secure jamb from both sides

 6RM08-027 / 6RM08-919
Door Jamb Screw

 568
Screw Cap Door Jamb

Ceiling Assembly

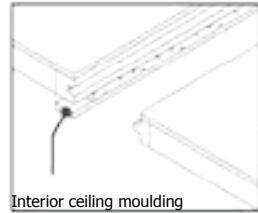
06 Attach ceiling assembly via tongue to Groove.



Check that the ventilation hole is in the right position (**refer to plan drawing for ventilation location**).

*Ceiling assembly for big sauna room (more than 1 ceiling)

Ceiling to ceiling connection side view



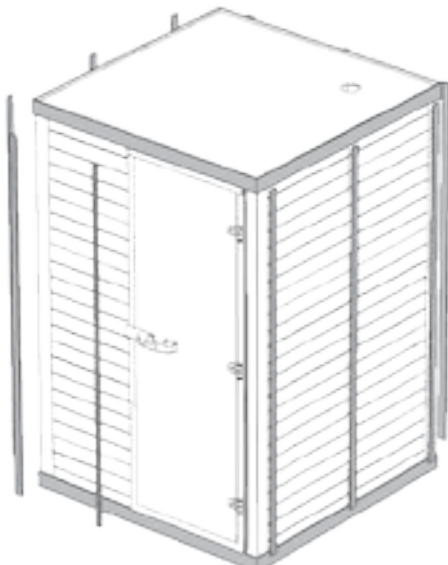
Interior ceiling moulding



6RM08-123 /
6RM08-109 /
6RM08-951 /
6RM08-952
Vertical Moulding
42mm thick



07 Attach all mouldings in sequence. (External, internal, top and bottom).



6RM08-123 /
6RM08-109 /
6RM08-951 /
6RM08-952
Horizontal Moulding
75mm wide



6RM08-123 /
6RM08-109 /
6RM08-951 /
6RM08-952
Vertical Moulding
Small 22mm thick



6RM08-123 /
6RM08-109 /
6RM08-951 /
6RM08-952
Vertical Moulding
42mm thick

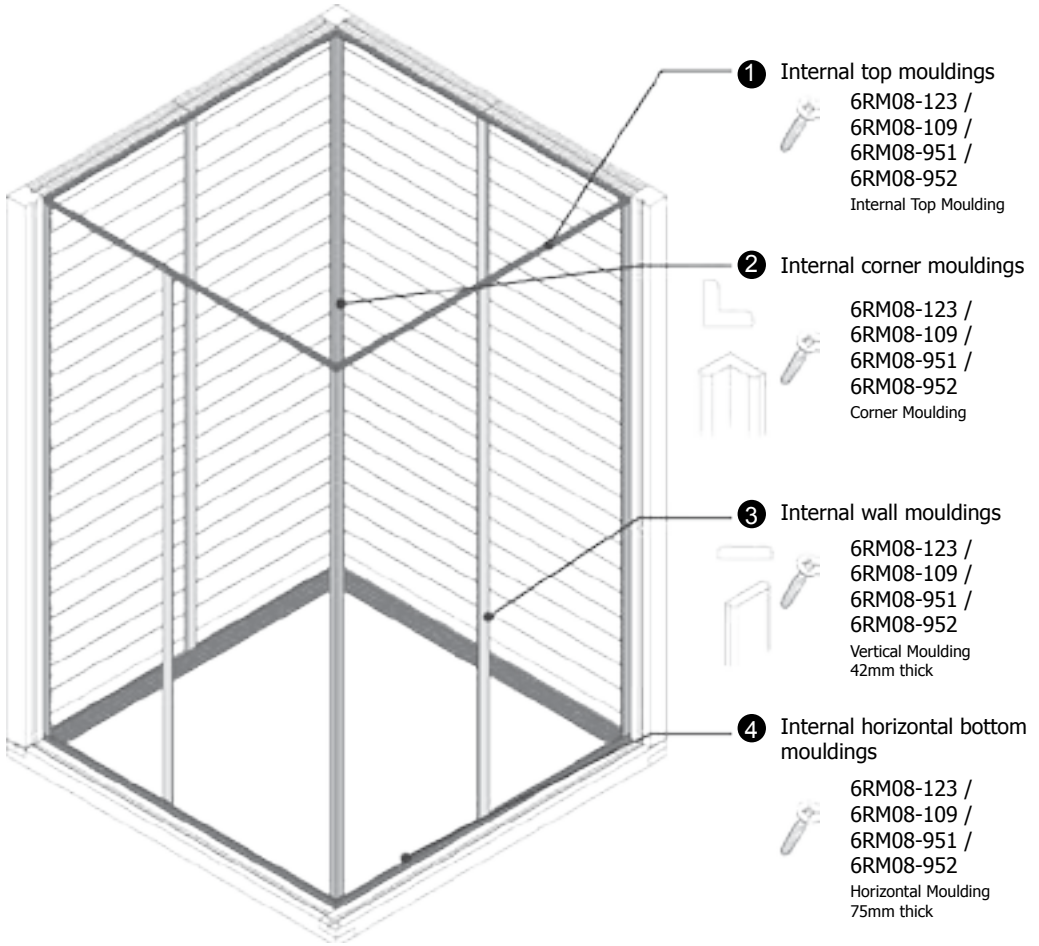


At this stage make sure all internal mouldings are attached as it will be hard to do once the benches are installed.

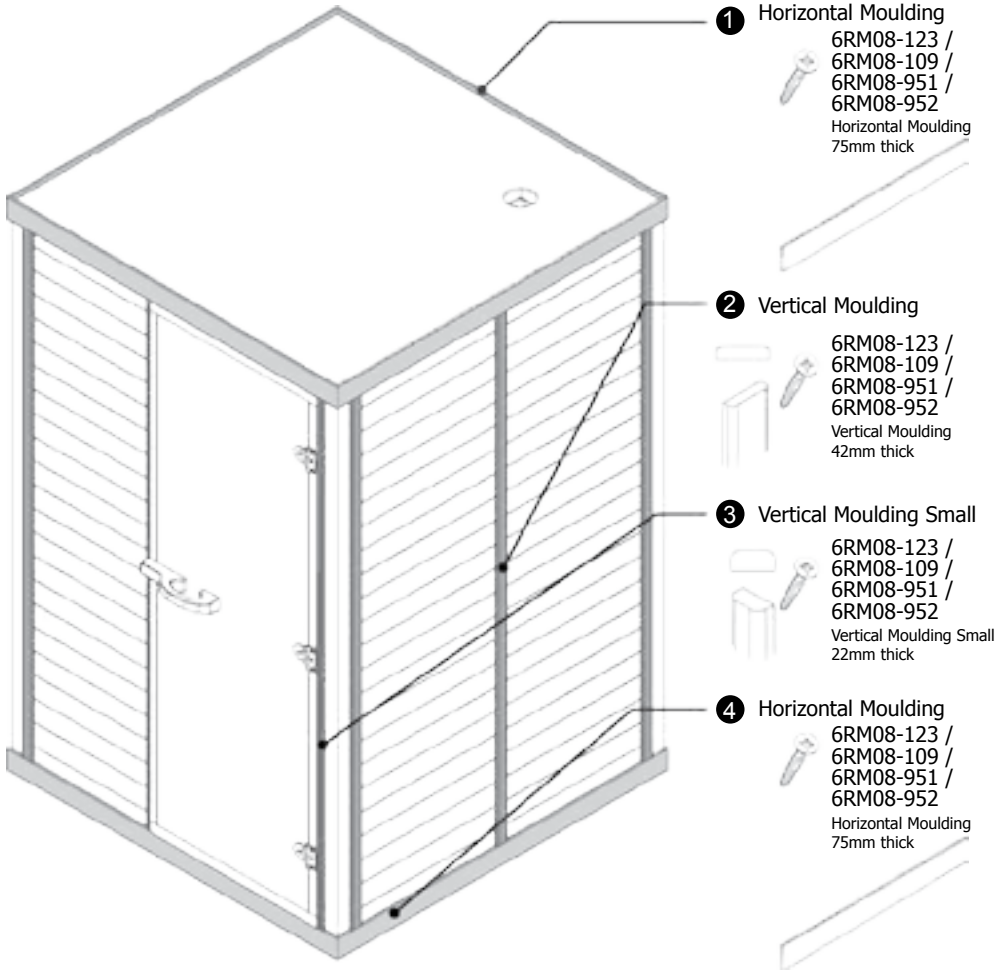
Note: Above images are for illustrative reference only and may differ from actual item.

Moulding Installation Sequence

7.1 From the inside, follow the sequence below.



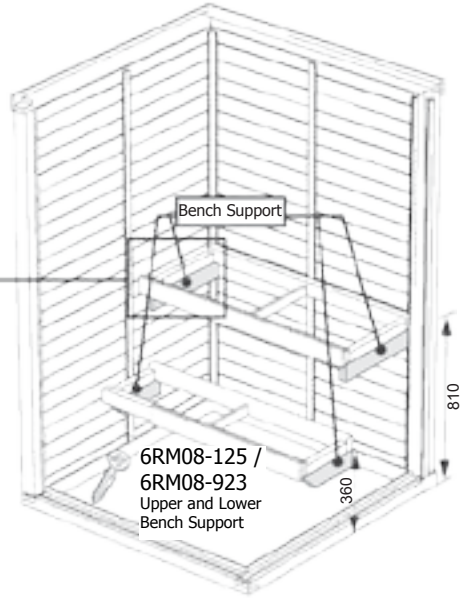
7.2 From the outside, follow the illustration sequence below.



Note: Above images are for illustrative reference only and may differ from actual item.

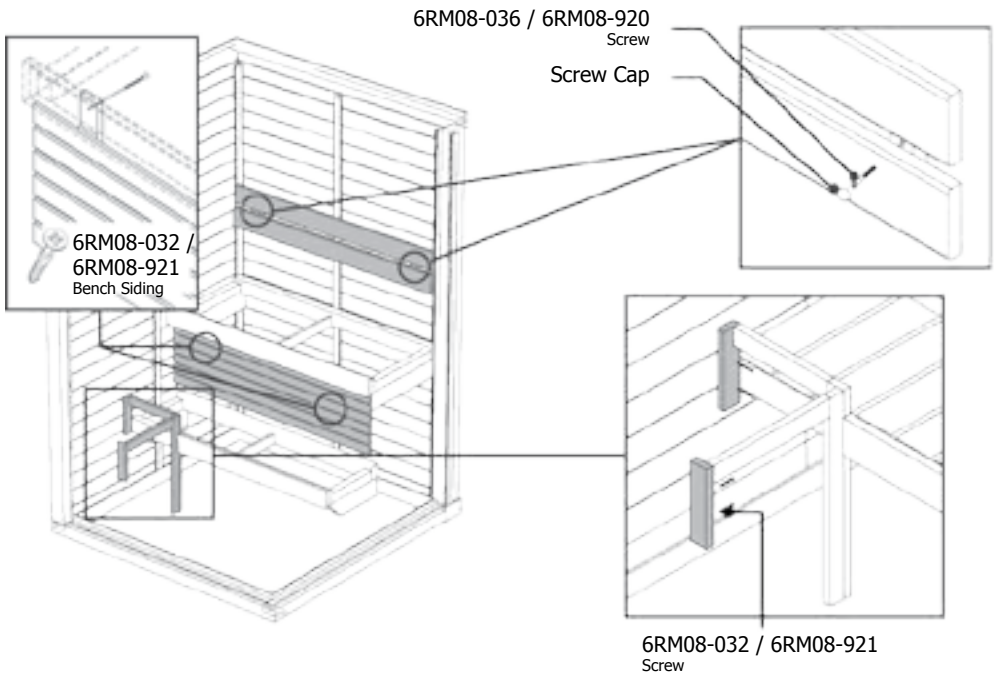
Interior Furnishes Assembly

08 Attach bench support at suggested height with screws, then place over the bench frame assembly and screw to wall.

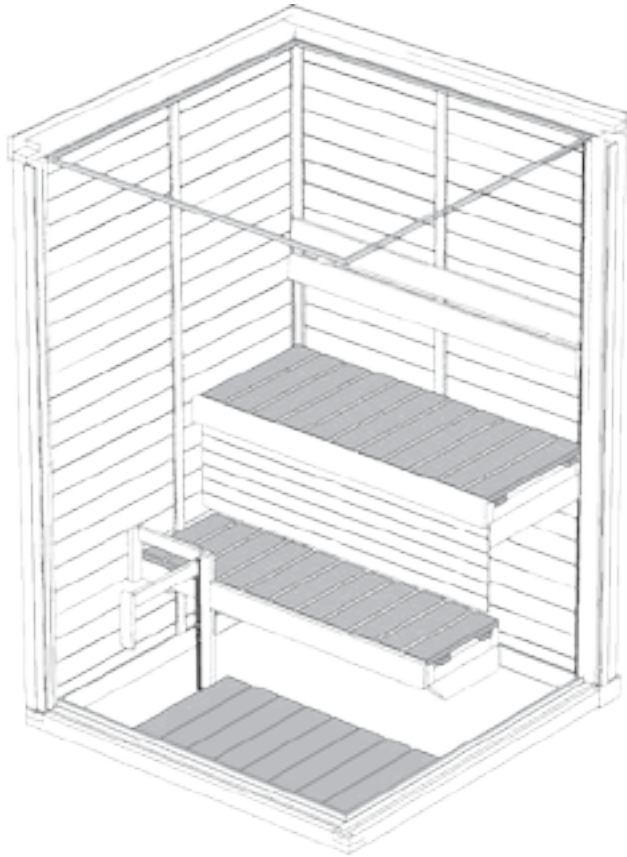


- If using wall mounted heater, make sure to install the mounting plates before installing the heater guard.
- Height dimensions should be taken in reference to the base frame. There are markers as well on the wall panels as reference for bench support mounting.
- Bench supports at each end of the bench should be installed as close to the back wall as possible or it will collide with the bench siding when it is installed.

09 Attach heater guard, back rest and bench siding.



10 Attach top/lower bench covers and flooring.




Classic Bench



Piano Bench



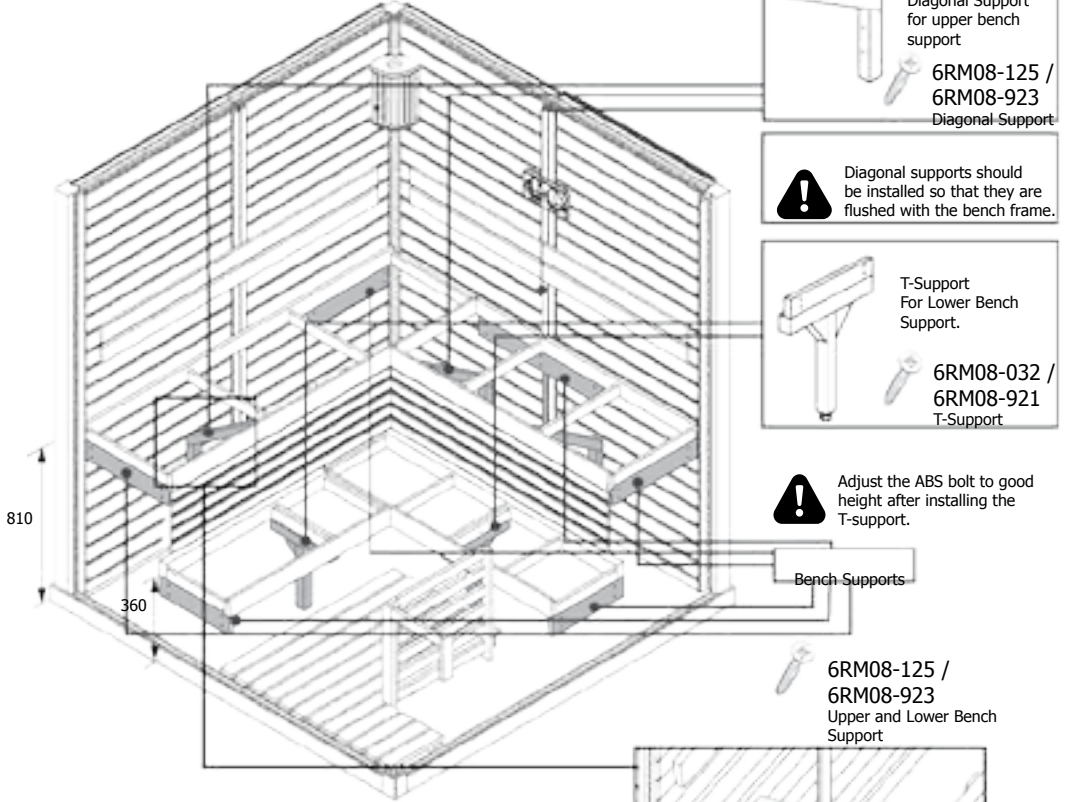
Wave Bench

 On large sauna rooms, the flooring needs to be placed first as it will be hard to place inside once the bench supports are installed.

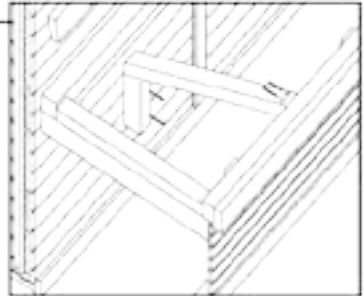
Interior Furnishes Assembly (Bench Support)

*For big sauna rooms

Attach bench support at suggested height.



Upper and lower bench heights.



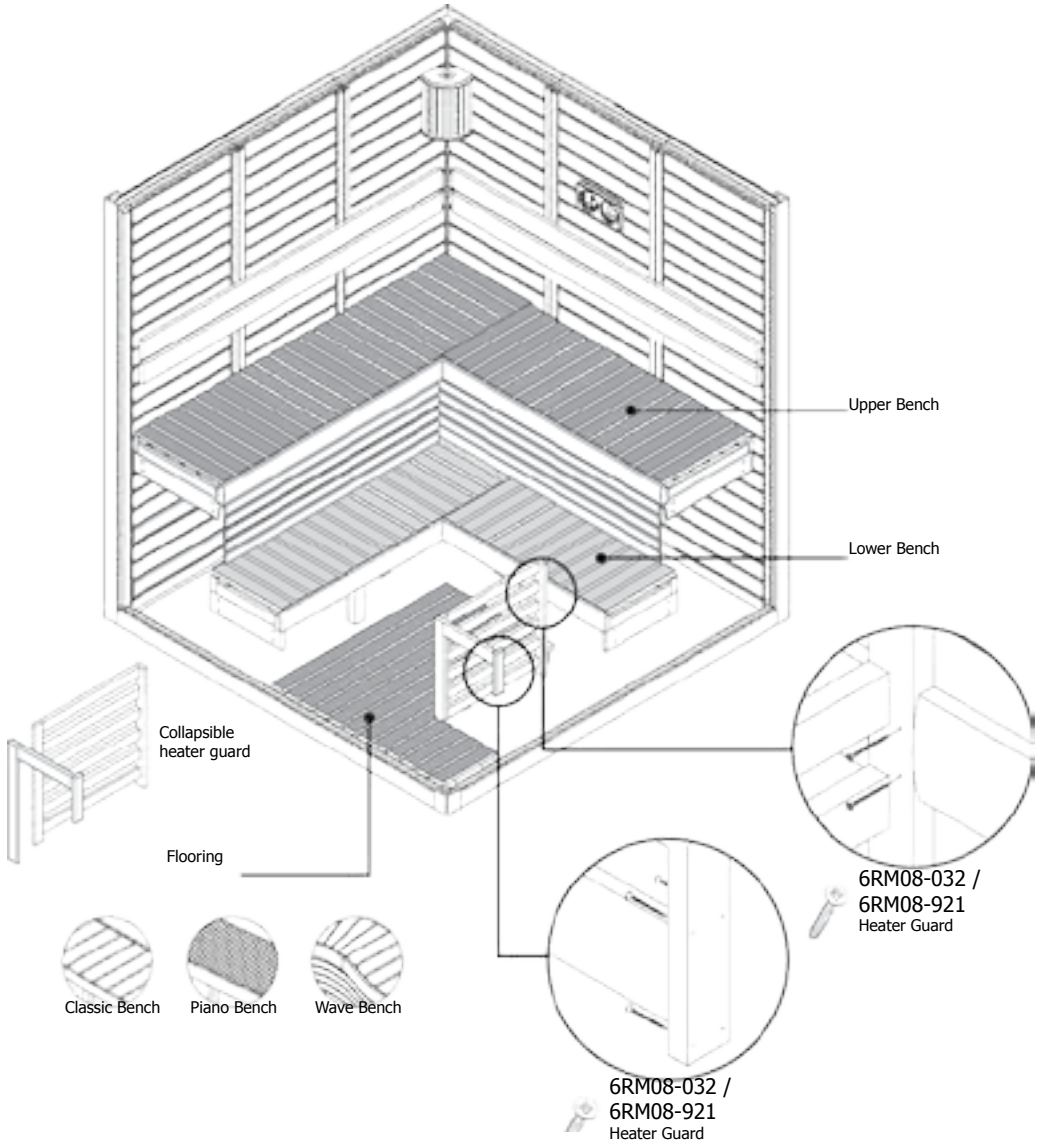
Diagonal Support installation

6RM08-125 /
6RM08-923
Diagonal Support

Interior Furnishes (Bench Covers)

*For big sauna rooms

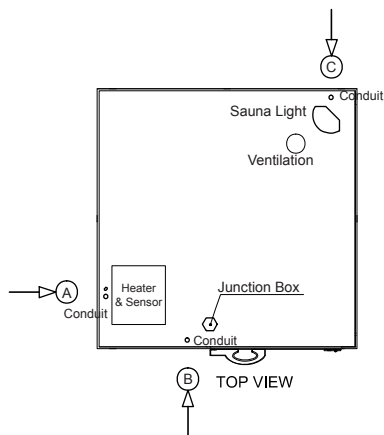
Attach upper and lower bench covers, then proceed with the heater guard. Lastly attached the flooring.



Note: Above images are for illustrative reference only and may differ from actual item.

Electrical Layout

11 Electrical/Wiring locations.



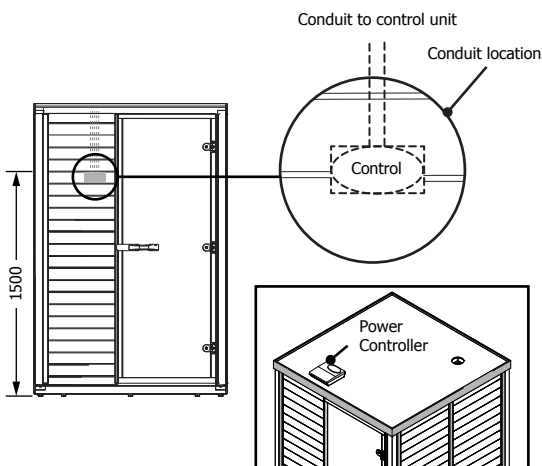
Electrical Conduit Locations:

- A. For heater and regulating sensor.
- B. For sauna light switch and heater control.
- C. For sauna light.

Wire Installation:

1. Install junction / utility box /power controller into the ceiling roof as indicated.
2. Insert wires into the electrical conduit designated for thesauna light switch (for NB heaters) or sauna control unit (for NS heaters).
3. Insert wires into the electrical conduit designated for theheater (see technical detail).Extra wire jacket is provided for hooking up single wires to the heater. Disregard the extra wire jacket if you are using a rubber cable that is specified in the heater's manual.
4. Tapping of wires will be done at the junction box.

12 Separate Control Installation (NS model heaters only)



A conduit pipe is provided for the control unit.

If wanting to flush the control unit into the wall, cut a hole according to your control unit's specifications. See heater control manual.



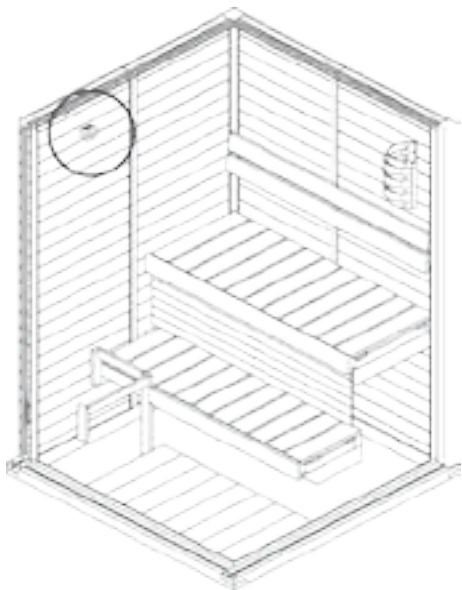
Control unit must not be flushed to the wall, near or on the wall where the heater is installed. Use control unit interface holder if necessary.

You can hide the power controller on the top of the sauna room.



Refer to heater control instruction manual for wiring connections.

13 Sensor Installation



Note: Sensor installation is for Separate control heater models only.

A pre-drilled hole for the sensor is provided for separate control heaters.

Sensor is placed directly above the heater. Refer to the heater control instruction manual for the sensor installation.

14 Light Installation



The wall has a pre-drilled hole(s) for the lights. Insert wire(s) to the conduit(s) provided for the lights.

When ordering sauna room with NB heater, a dimmer switch is provided for the light(s).

When using NS heater, refer to the heater control instruction manual for the light installation.

Roof Assembly Requirements for Installation



Scaffolding



Utility Knife



Bitumen For Jointing



Heat Gun
Min. 2.5kW (or Blowtorch)



Steel Square



4.5 x 50mm
(6RM08-920)

Screw for Truss to Truss



5 x 75mm
(6RM08-919)

Screw for Truss to Ceiling



4 x 37mm
(6RM08-921)

Screw for Wall & Ceiling Eaves

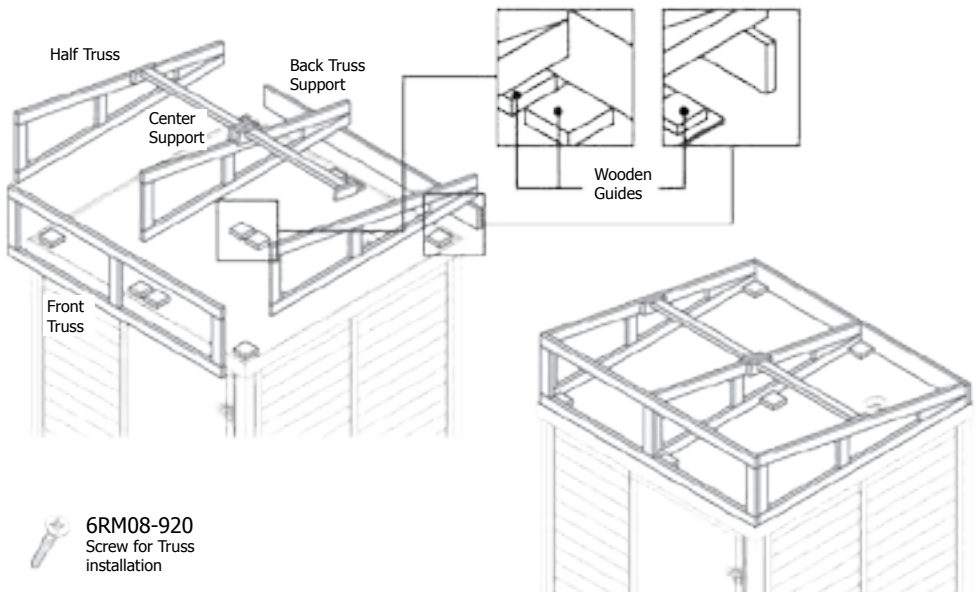


2.7 x 25mm
(6RM08-952)

2.8 x 25mm
(6RM08-109)

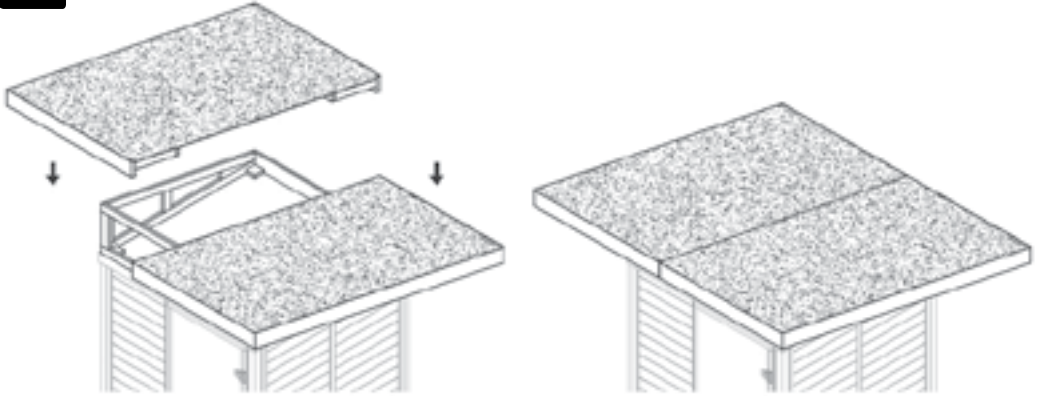
Screw for Wall & Ceiling Eaves

15.1 Attach the front truss, half truss, back and center support aligned into the wooden guides.

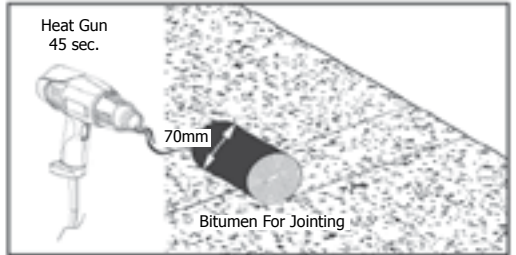
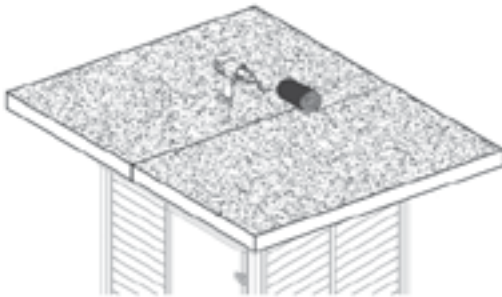


Note: Above images are for illustrative reference only and may differ from actual item.

15.2 Affix roof on the truss frame.



15.3 Cover the connecting joint by placing evenly provided bitumen sheet. Start by heating max. 70mm portion of the sheet by time. If the heated portion is bigger, the adhesion will not be adequate. To ensure proper adhesion, heat the portion with heat gun at least 45 seconds until the clear foil on the back of the sheet will turn shiny. Heated bitumen sheet can be very hot, please use a tool for pressing. Press the sheet firmly and ensure all the edges are well attached.

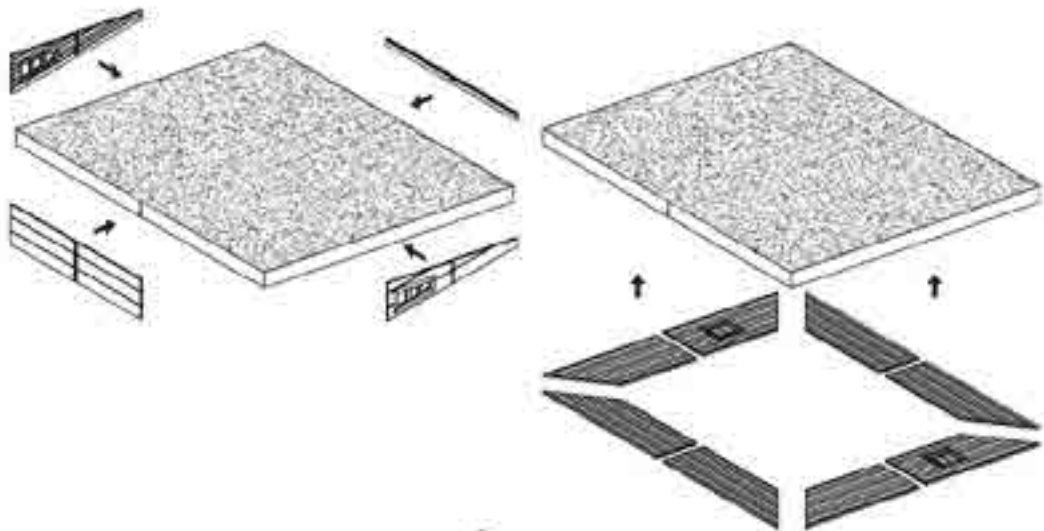


! Avoid walking on the bitumen sheet after installation. Wait until the surface has cooled down.

! Recommend installation Sunny / Cloudy weather.



15.4 Install wall and ceiling eaves. Attach first the wall eaves to each sides and ceiling eaves under the overhang of the trusses as shown below.

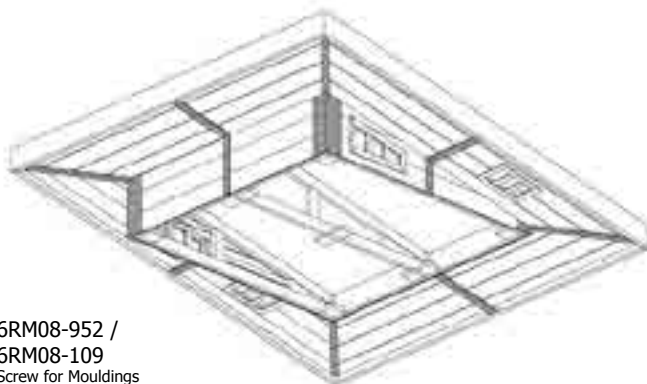



Wall Eaves

Ceiling Eaves

 6RM08-921
Screw for Ceiling and
Wall Eaves

15.5 Install the mouldings as shown below.



 6RM08-952 /
6RM08-109
Screw for Mouldings

Sauna Maintenance

AFTER EVERY SAUNA SESSION:

- ✓ It is recommended to use bench towels during sauna session to prevent sauna benches getting dirty.
- ✓ After sauna session, leave heater on for 30 minutes so sauna will dry faster. After that, open air vents or sauna door.
- ✓ Empty pail from water.

AT LEAST 1 -4 TIMES PER YEAR:

- ✓ Wash sauna surfaces with warm water and multi-purpose detergent. Use soft brush. Wash sauna benches, ceiling, floor and walls. Do not use detergent which includes ammonia or chlorine. Rinse surfaces with cold water and ventilate sauna room well. If needed, protect wood surfaces with wood treatment oil. Read carefully the instructions of wood treatment oil from product packaging.
- ✓ If sauna benches are not getting clean after washing, sand the benches with sandpaper. Protect benches with wood oil. Do not heat the sauna room straight after treatment.
- ✓ If there is calcium stains or other dirt on the heater cover, clean it with mild soap water. You can also use SAWO Decalcifying solution for washing the stains. Dry after wash.
- ✓ Clean glass surfaces with window cleaning agent or dish soap. Rinse well and dry with a squeegee or a dry cloth.
- ✓ Check screws (door, sauna benches, railings). Tighten up if necessary.
- ✓ Clean the floor drain.

Subject to change without notice.



www.sawo.com | info@sawo.com