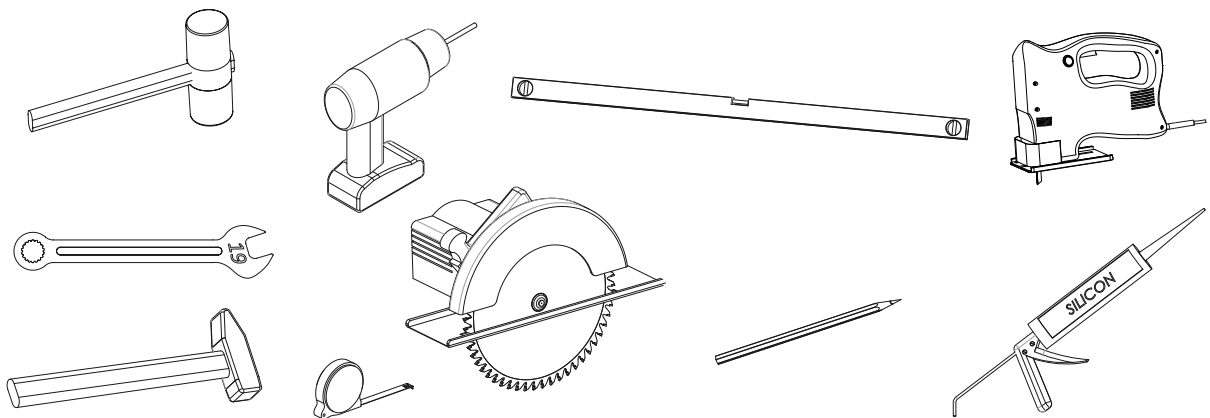


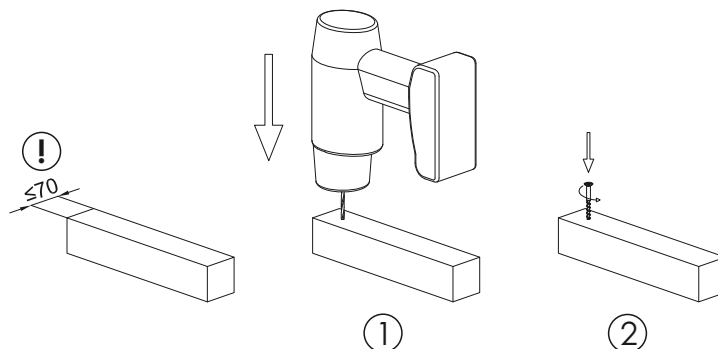
A-A

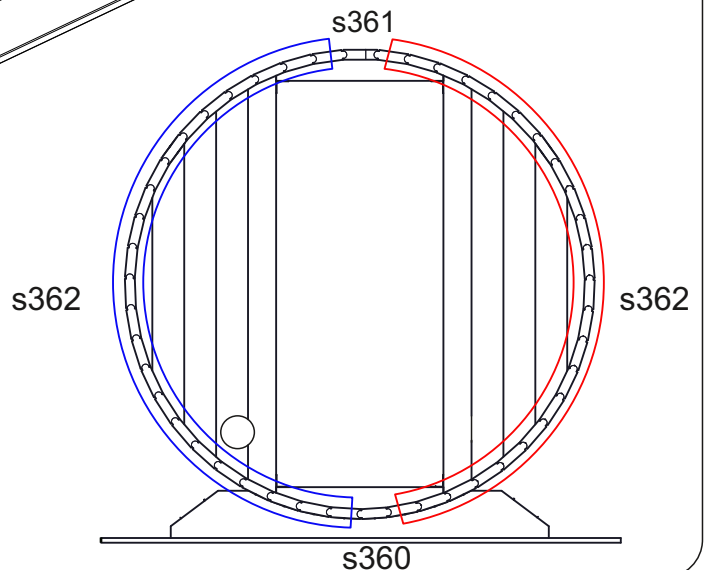
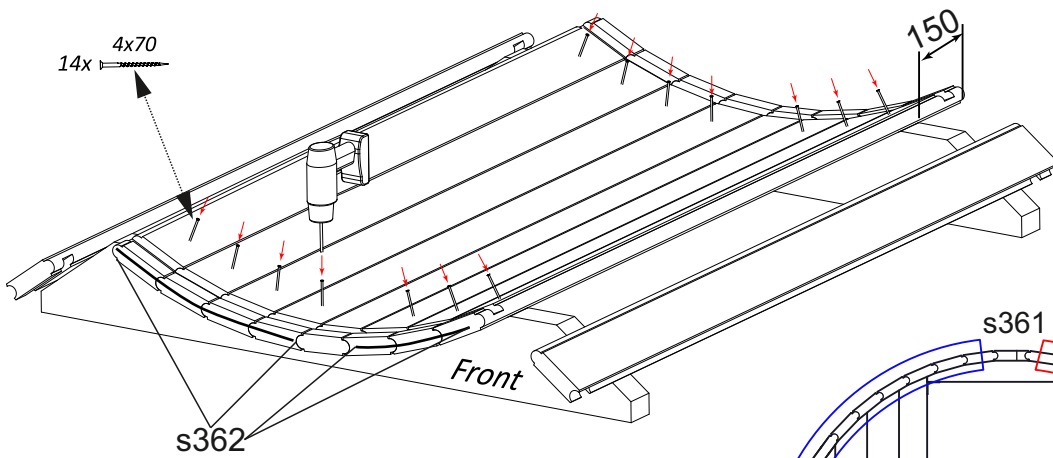
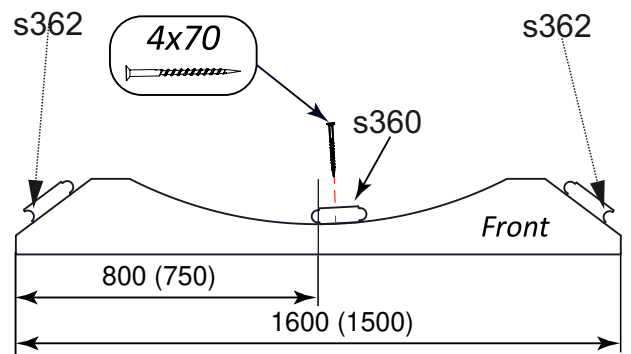
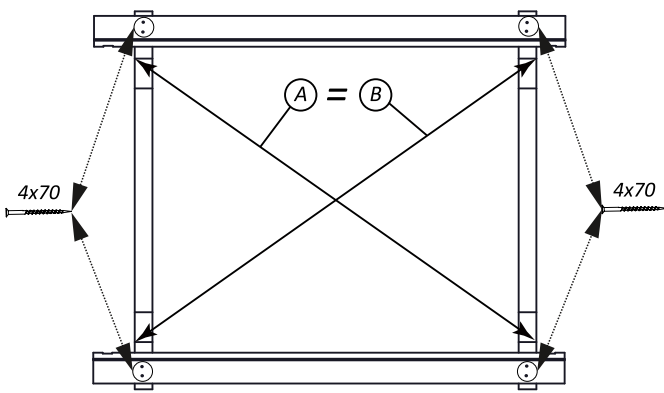
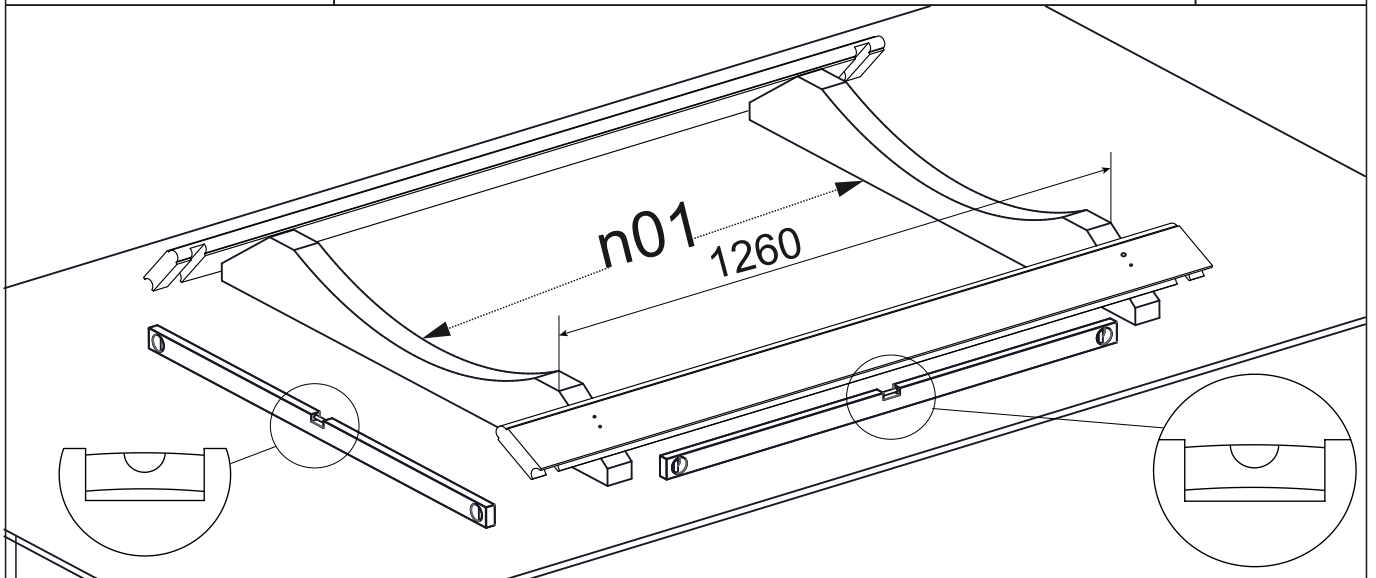
S16E

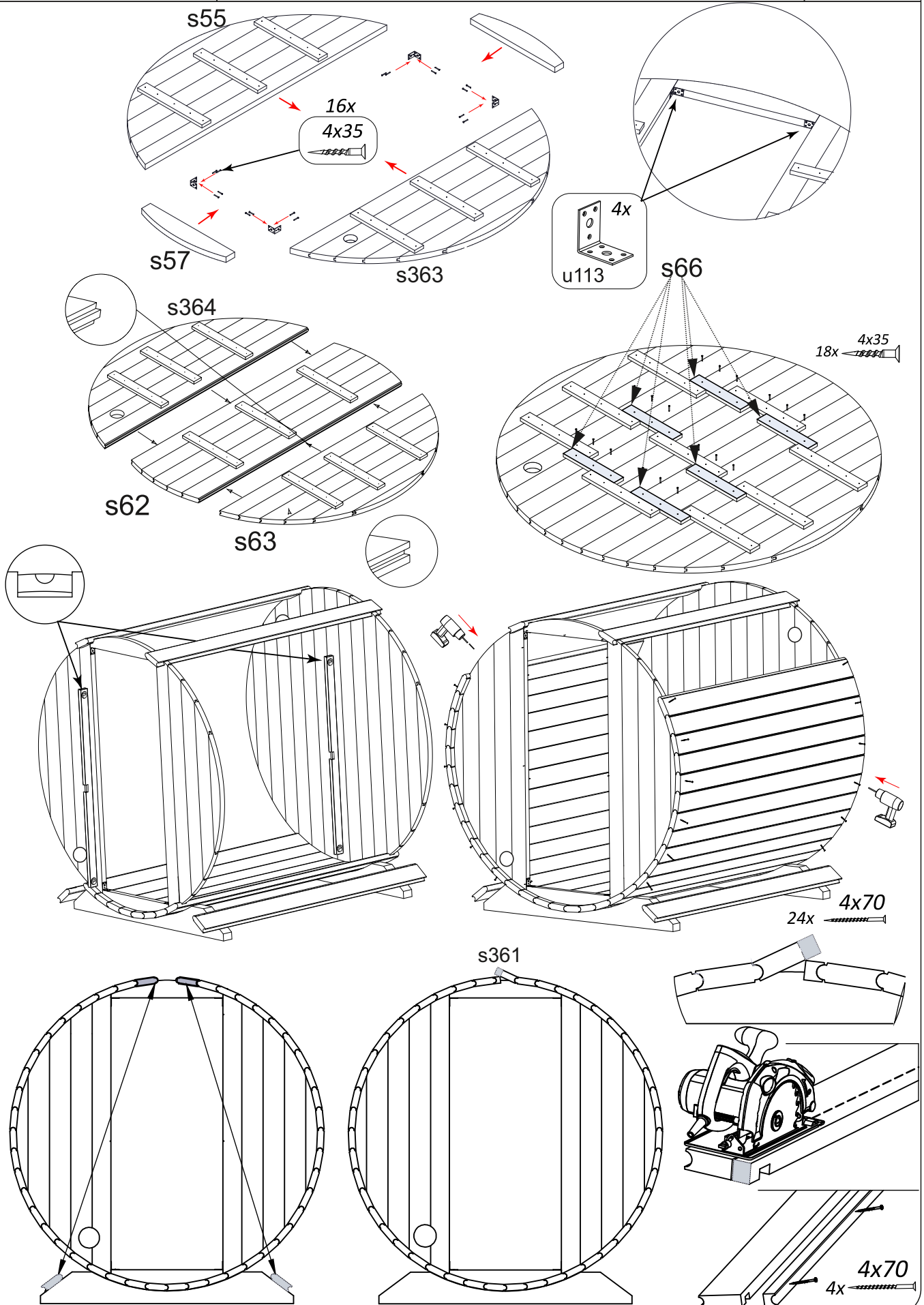
Required tools for sauna installation.

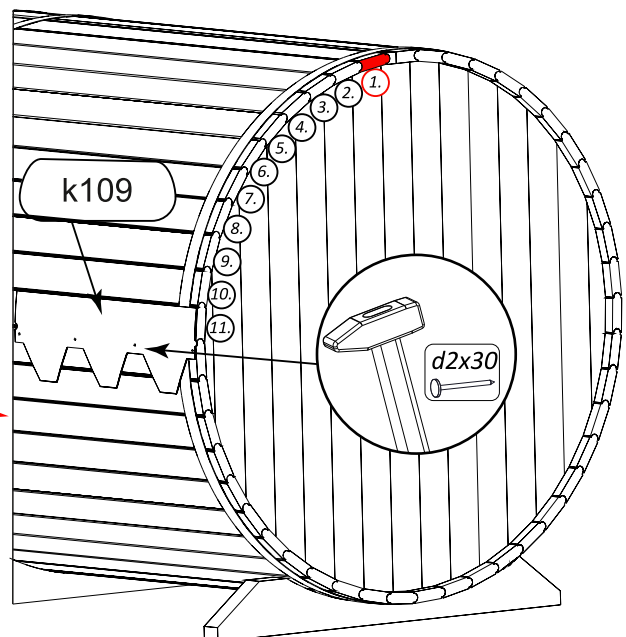
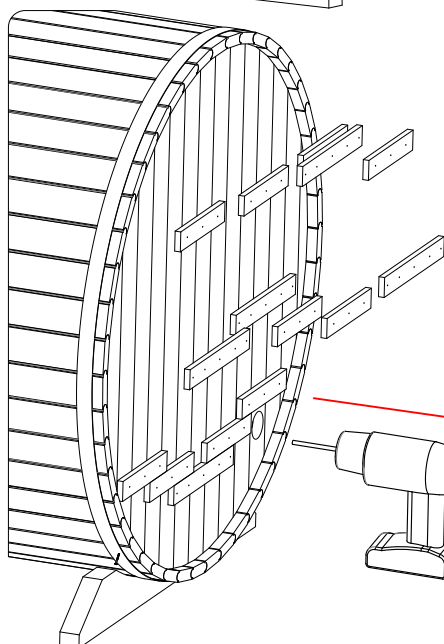
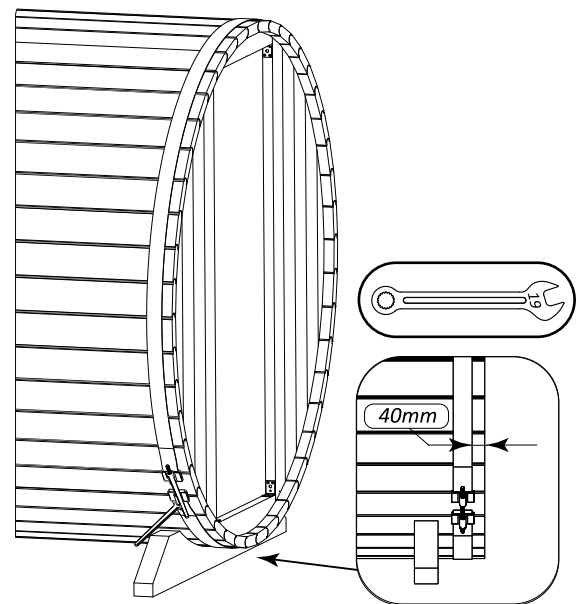
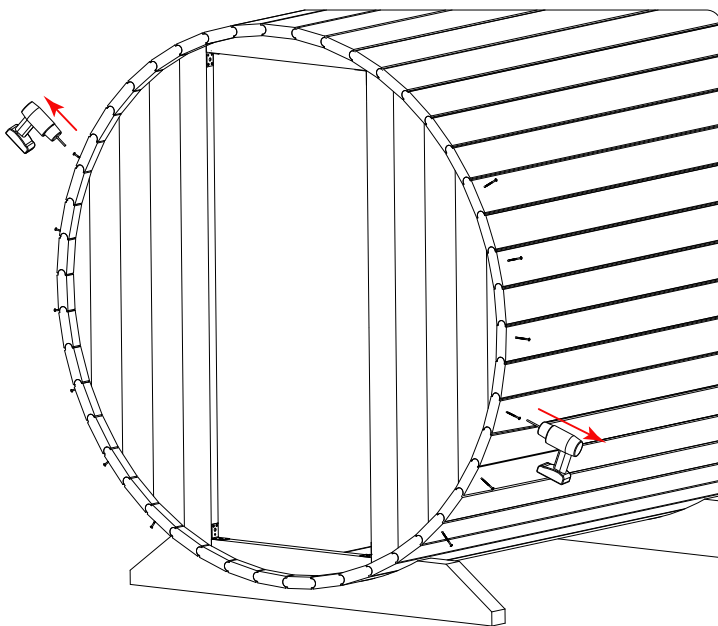
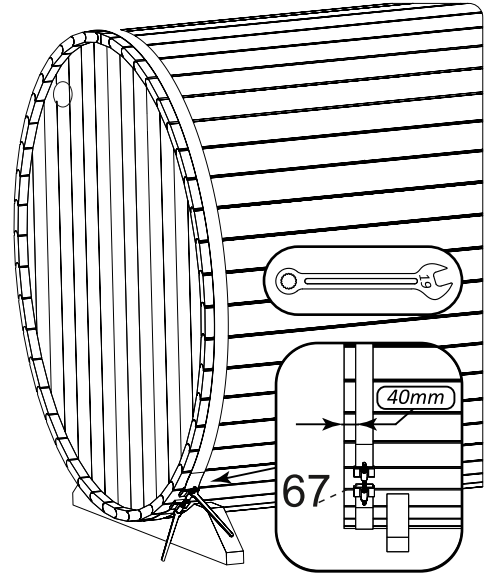
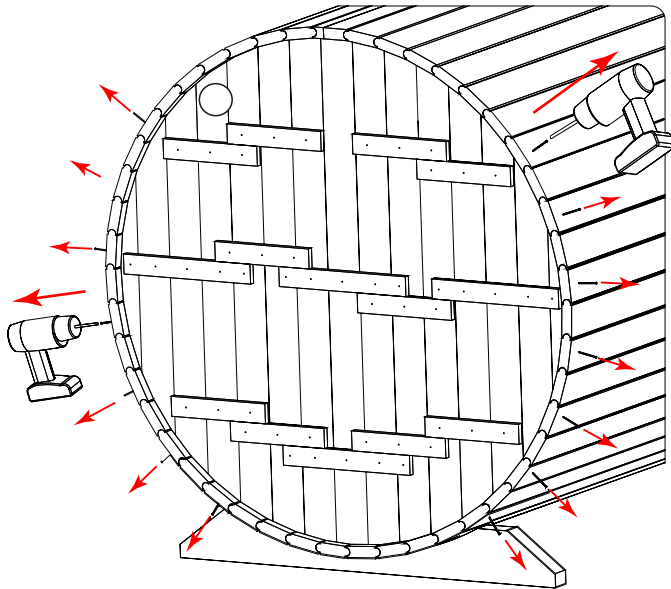


NB!

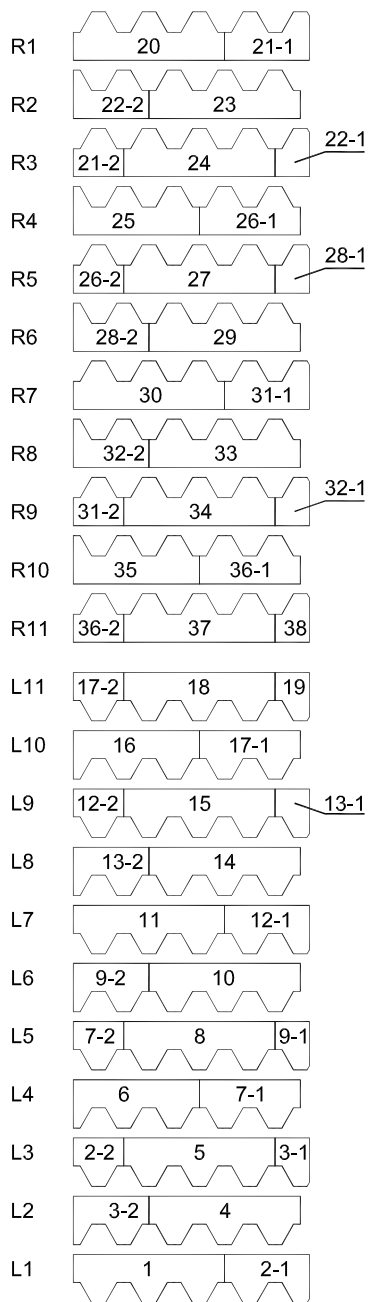




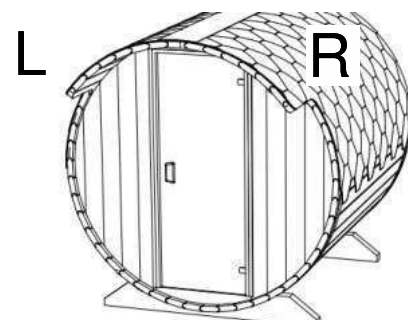
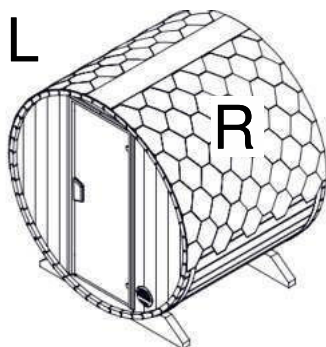
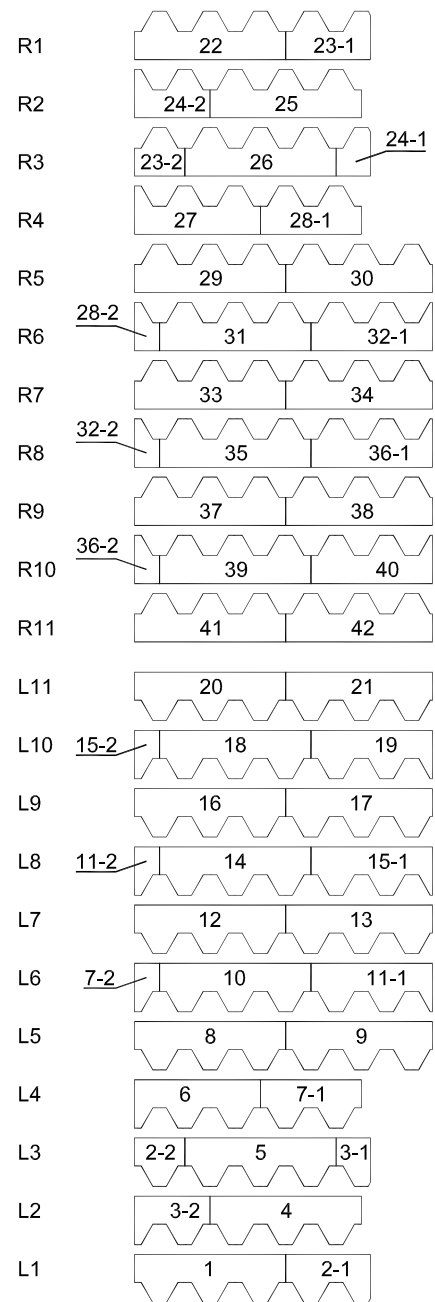


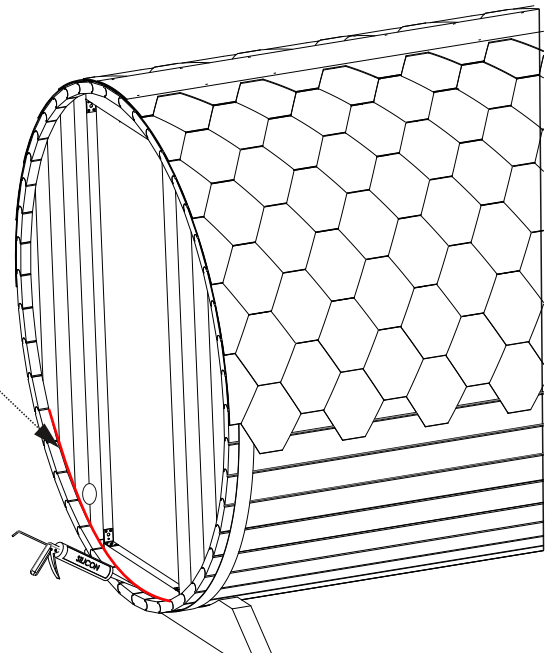
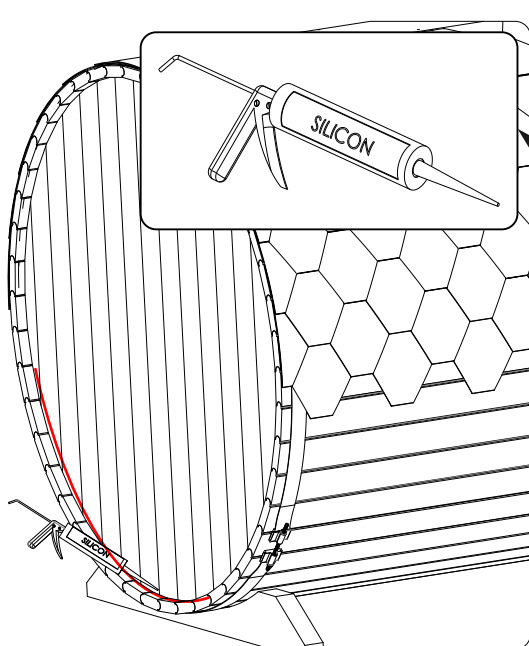
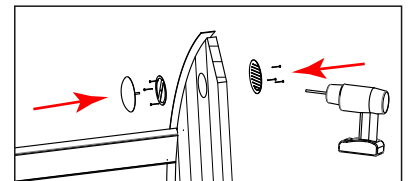
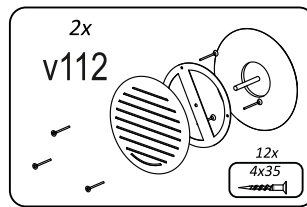
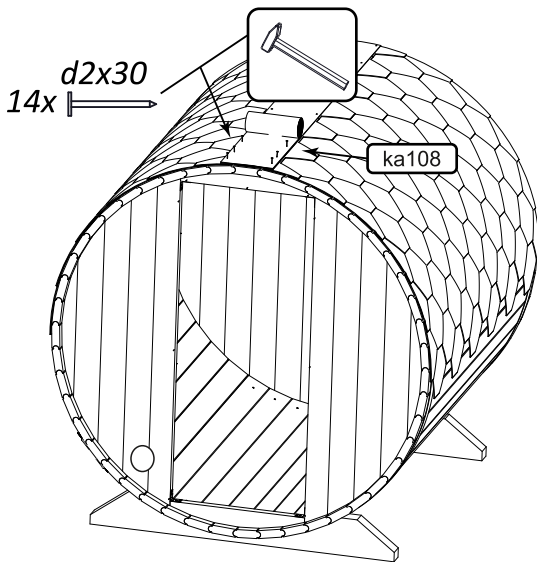
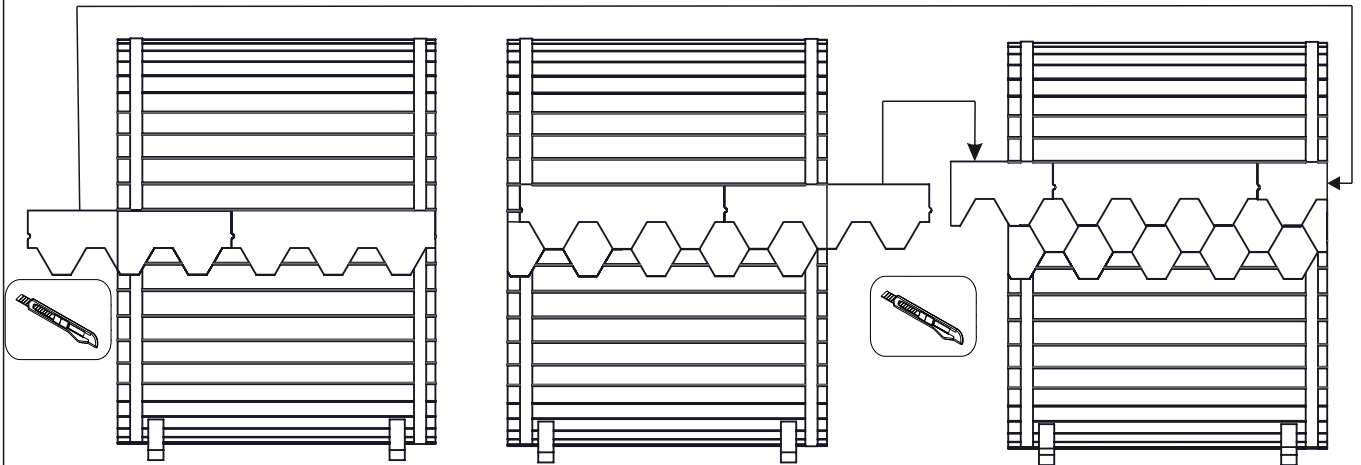


S16 without canopy

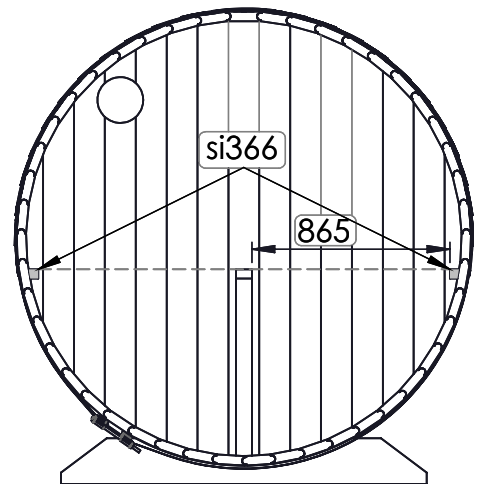
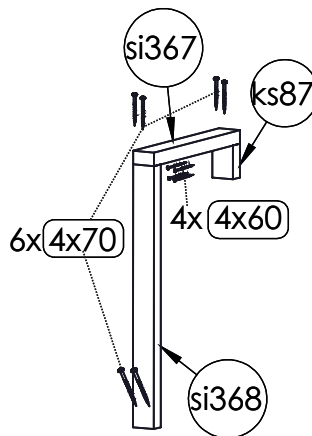
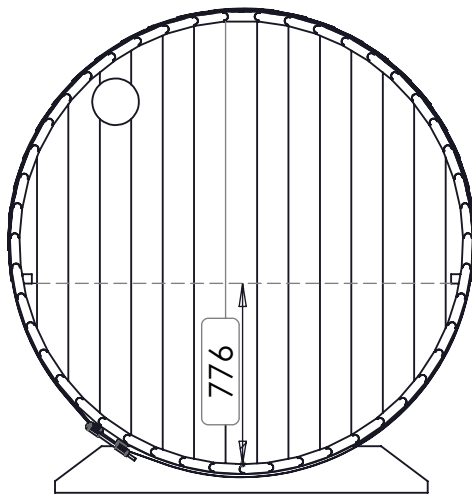
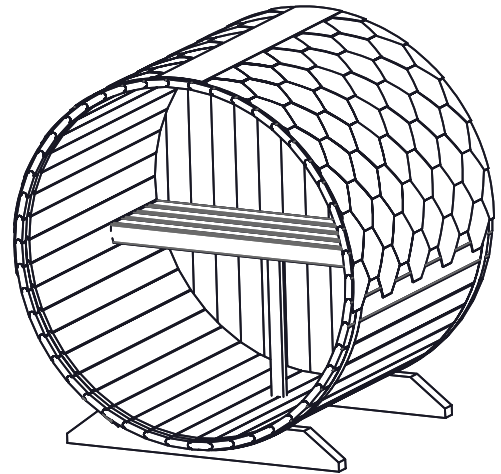
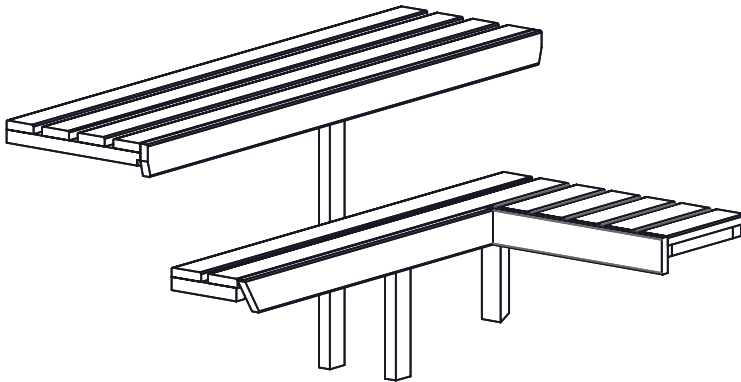


S16 with canopy

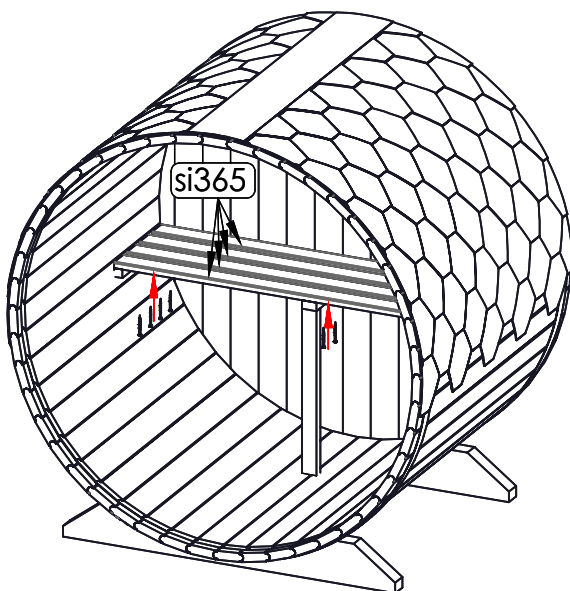




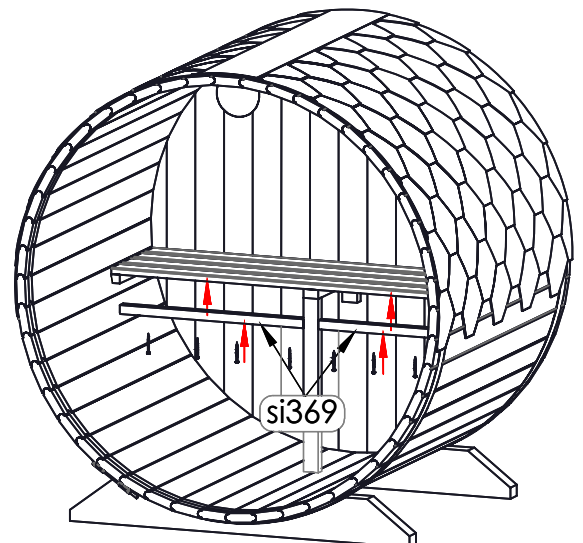
step 1



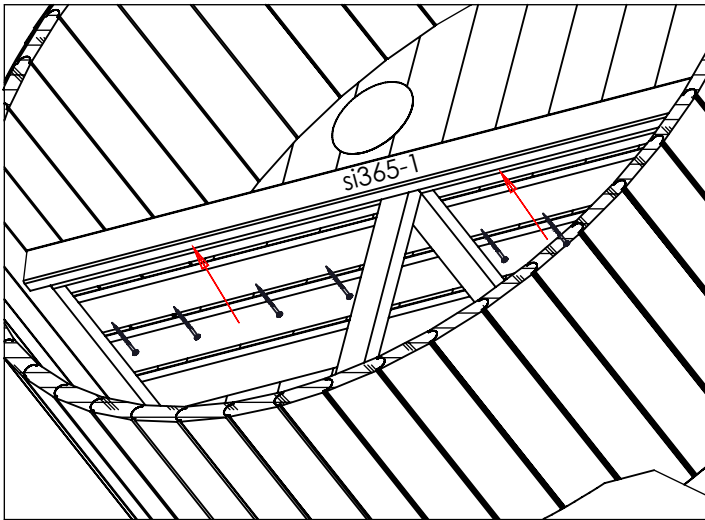
8x 4x70



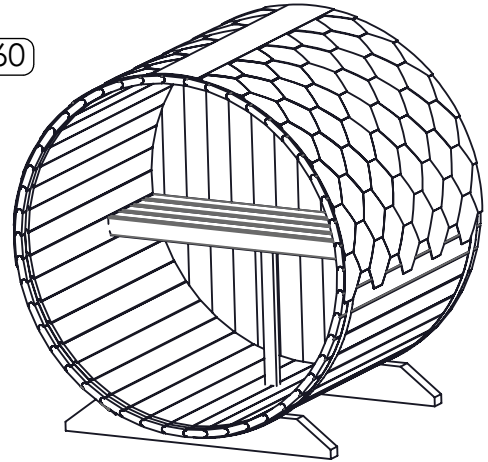
12x 4x60



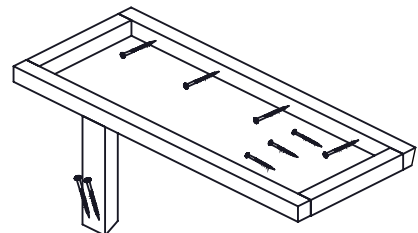
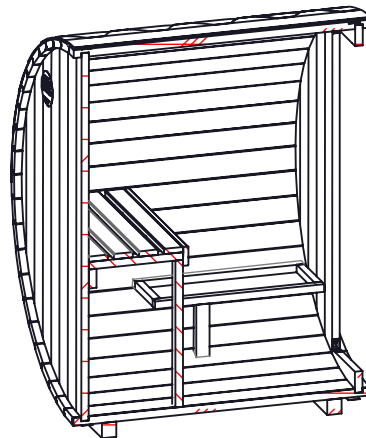
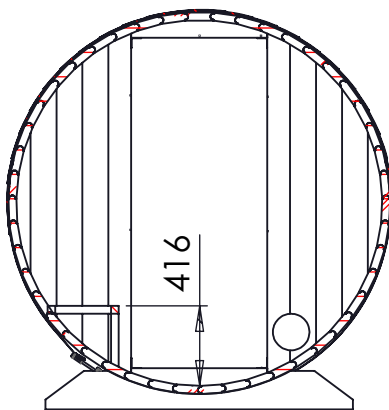
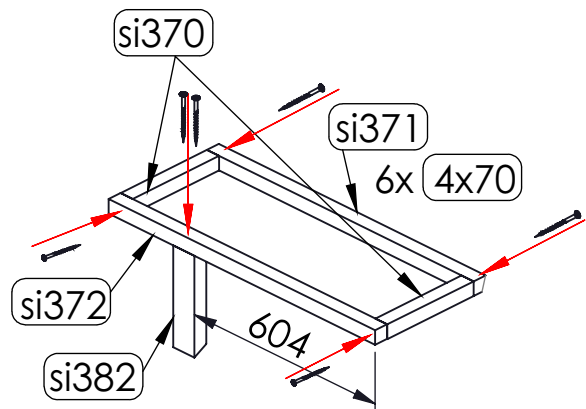
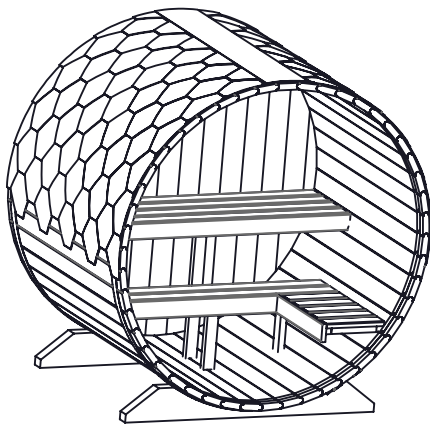
8x 4x70



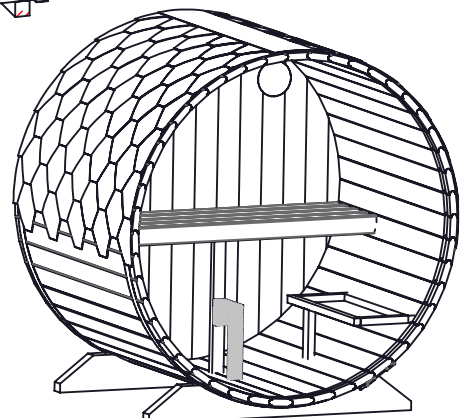
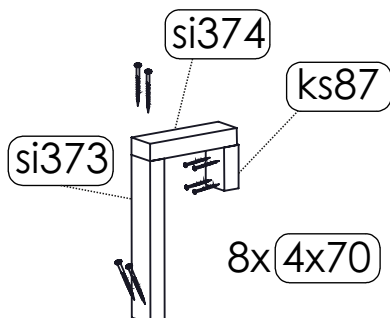
8x4x60

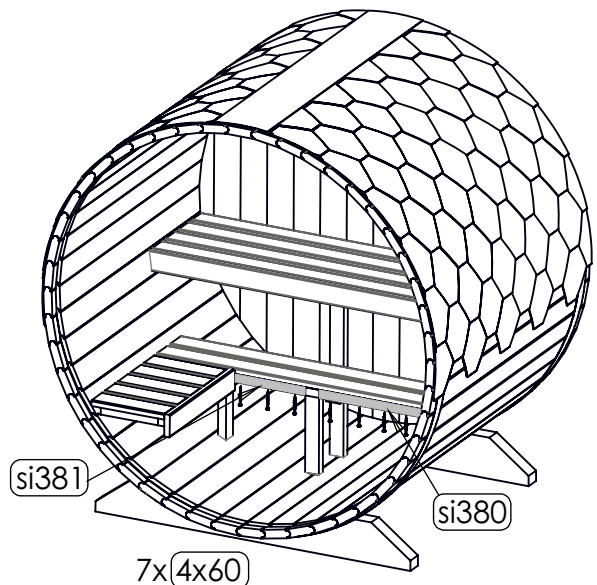
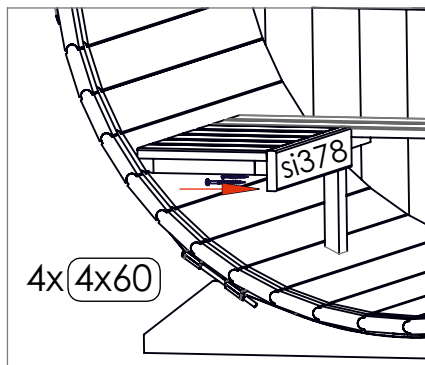
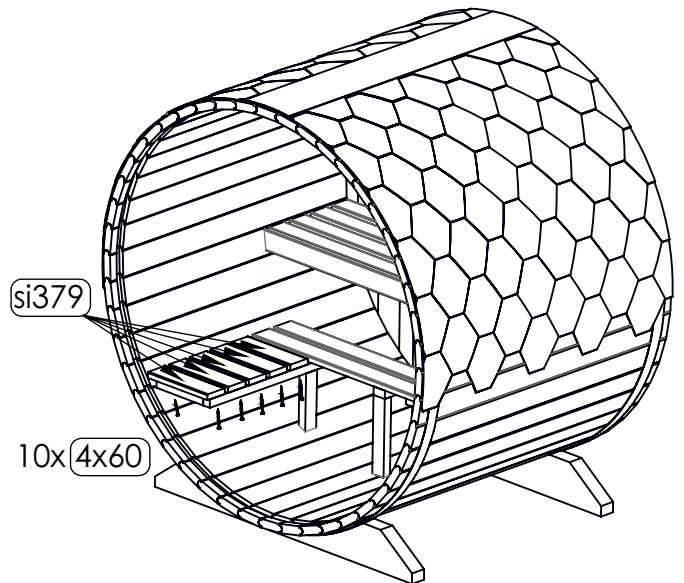
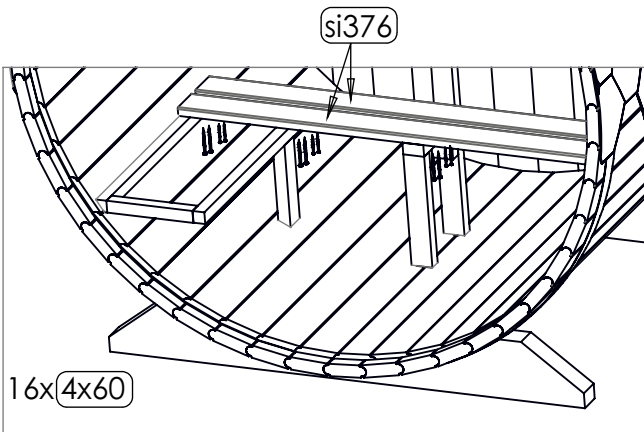
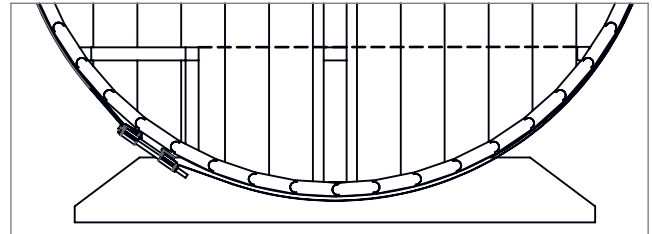
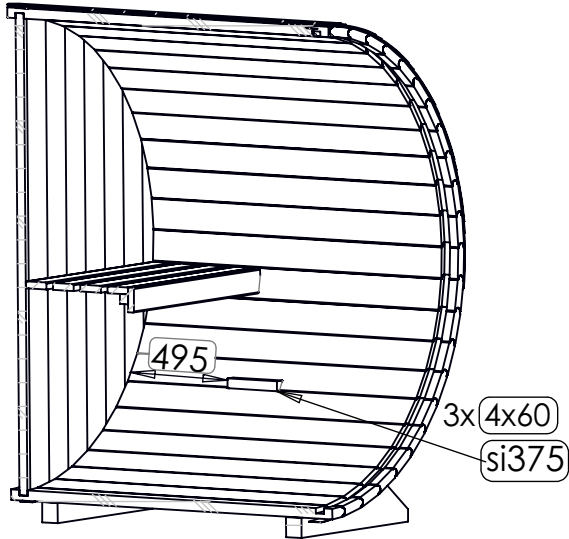


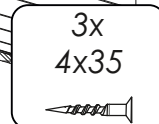
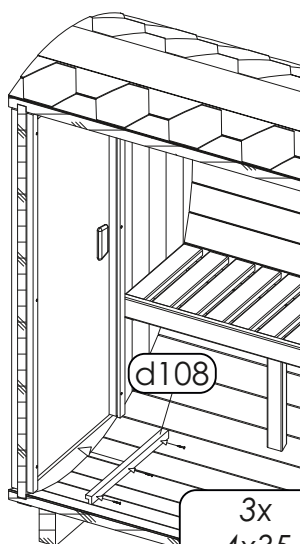
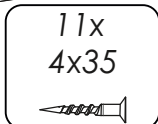
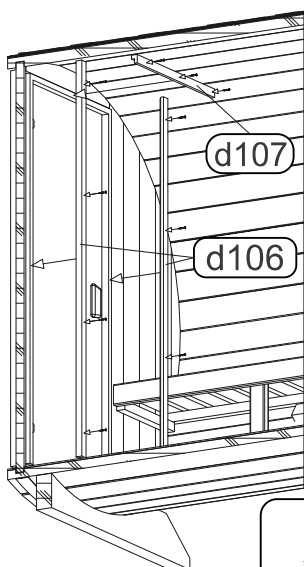
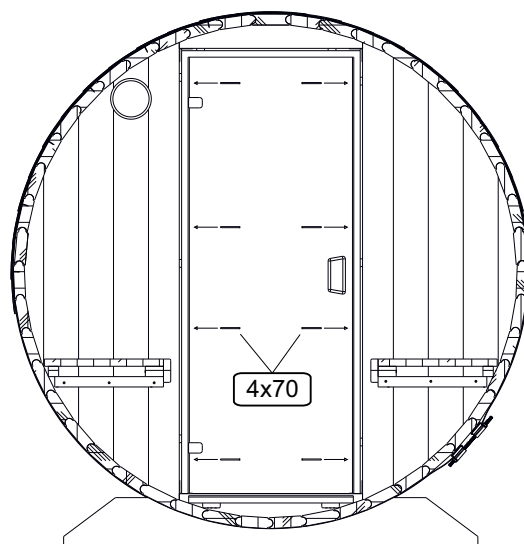
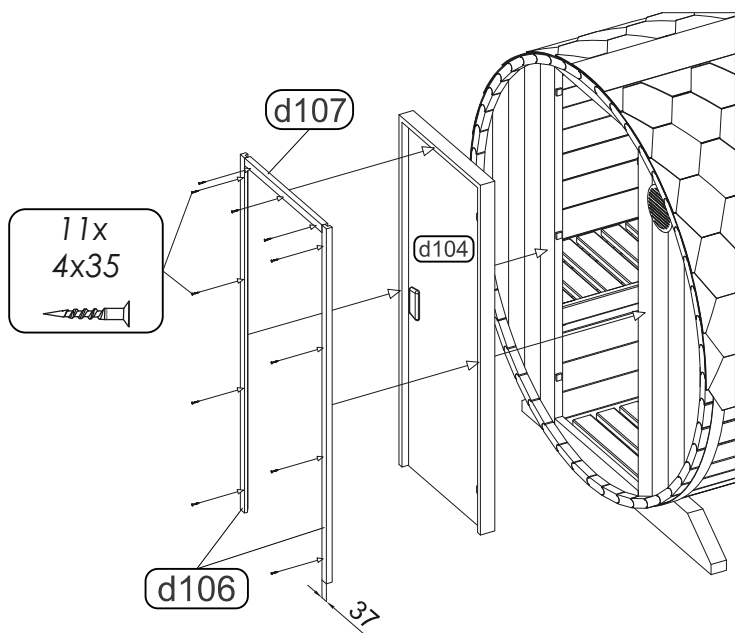
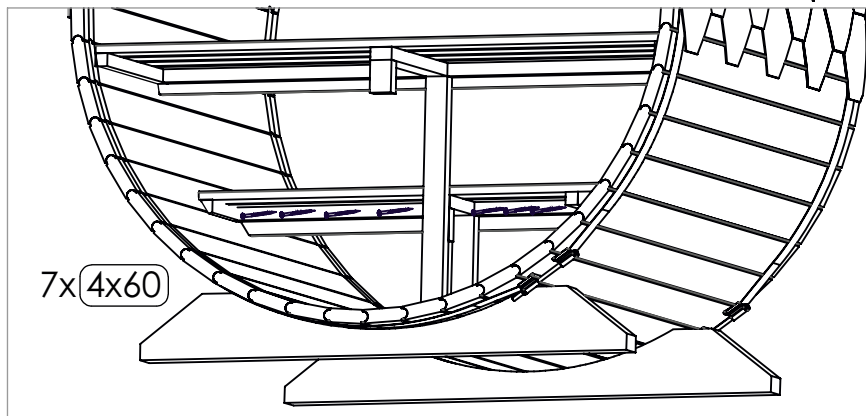
step 2

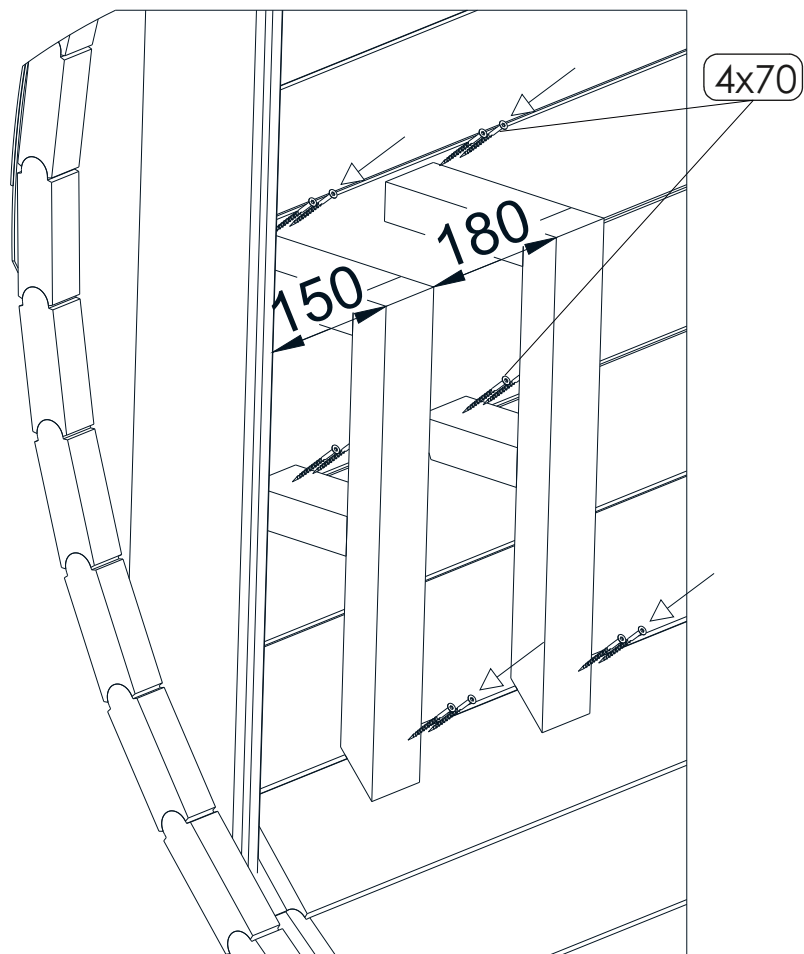
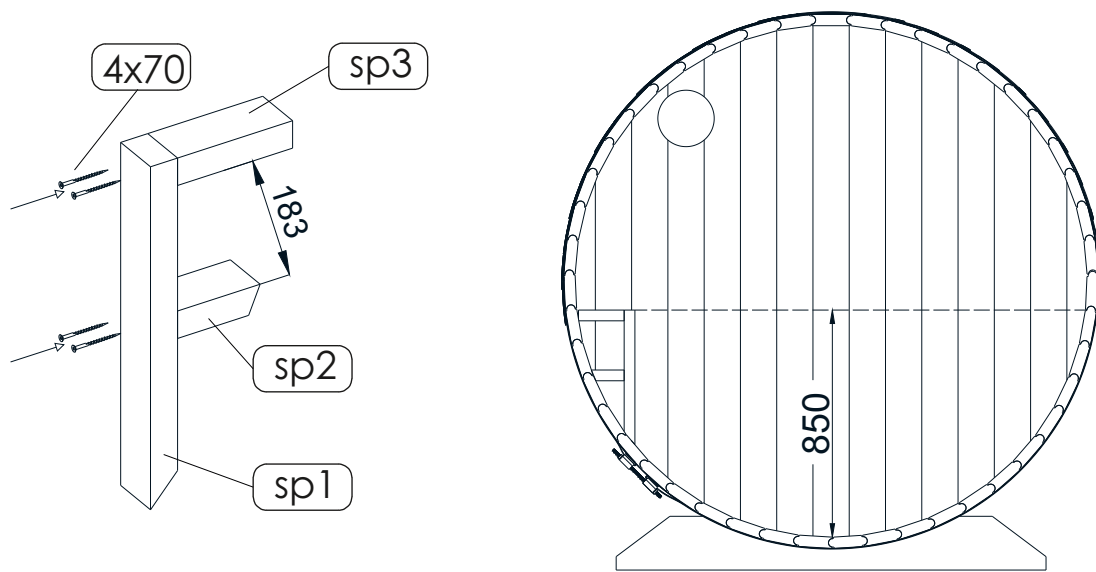


9x4x70









| Nr | Size | Qty | Preview |
|-------------------|-----------------|-----|---------|
| n01 | 195x70 | 2 | |
| p360 | 1600 | 1 | |
| p361 | 1600 | 1 | |
| p362 | 1600 | 45 | |
| s363 | 1810x618 | 1 | |
| s55 | 1810x618 | 1 | |
| s57 | 708x112x39 | 2 | |
| s63 | 1823x644 | 1 | |
| s364 | 1823x644 | 1 | |
| s62 | 1944x675 | 1 | |
| s66 | 75x22x400 | 6 | |
| d104 | 1710x707 | Set | |
| d106 | 1735x25x15 | 4 | |
| d107 | 690x20x15 | 2 | |
| v112 | Ventilation Set | 2 | |
| ka108 | 2000 | 1 | |
| k109 | 1000x320 | 44 | |
| ks87 | 100x70x40 | 2 | |
| Set + + 2 x sp | | | |
| sp1 | 500x70x40 | 2 | |
| sp2 | 122x70x40 | 2 | |
| sp3 | 170x70x40 | 2 | |

| Nr | Size | Qty | Preview |
|---------|-------------|-------|---------|
| u113 | 50x50x35 | 4 | |
| 67 | 2,0 | 2 | |
| si366 | 40x40x496 | 2 | |
| si369 | 40x40x850 | 2 | |
| si370 | 40x40x259 | 2 | |
| si380 | 40x40x670 | 1 | |
| si381 | 40x40x370 | 1 | |
| si371 | 70x40x930 | 1 | |
| si375 | 70x40x240 | 1 | |
| si367 | 40x70x496 | 1 | |
| si368 | 40x70x776 | 1 | |
| si373 | 40x70x375 | 1 | |
| si374 | 40x70x240 | 1 | |
| si382 | 40x70x285 | 1 | |
| si365 | 110x28x1880 | 4 | |
| si376 | 110x28x1580 | 2 | |
| si378 | 110x28x695 | 1 | |
| si379 | 110x28x370 | 5 | |
| si365-1 | 110x28x1880 | 1 | |
| si377 | 110x28x1182 | 1 | |
| | 4x70 | 130 | |
| | 4x60 | 46 | |
| | 4x35 | 46 | |
| | 5x90 | 8 | |
| | 1.2x130 | 22 | |
| | 2x130 | 250 | |
| | †15,†20,†25 | 1+1+1 | |
| | | 1 | |
| si372 | 40x40x930 | 1 | |