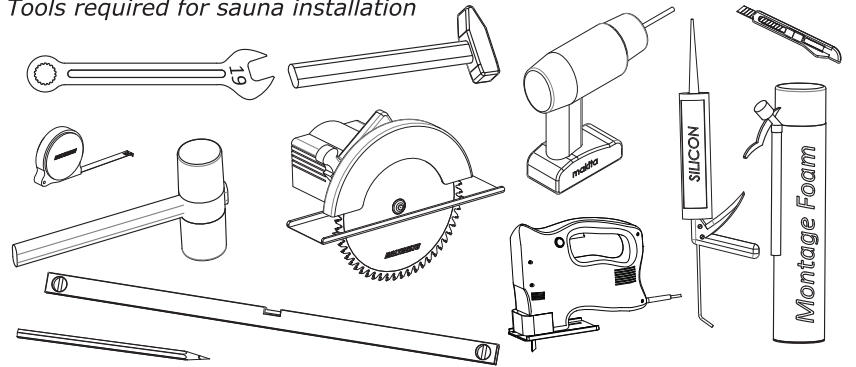
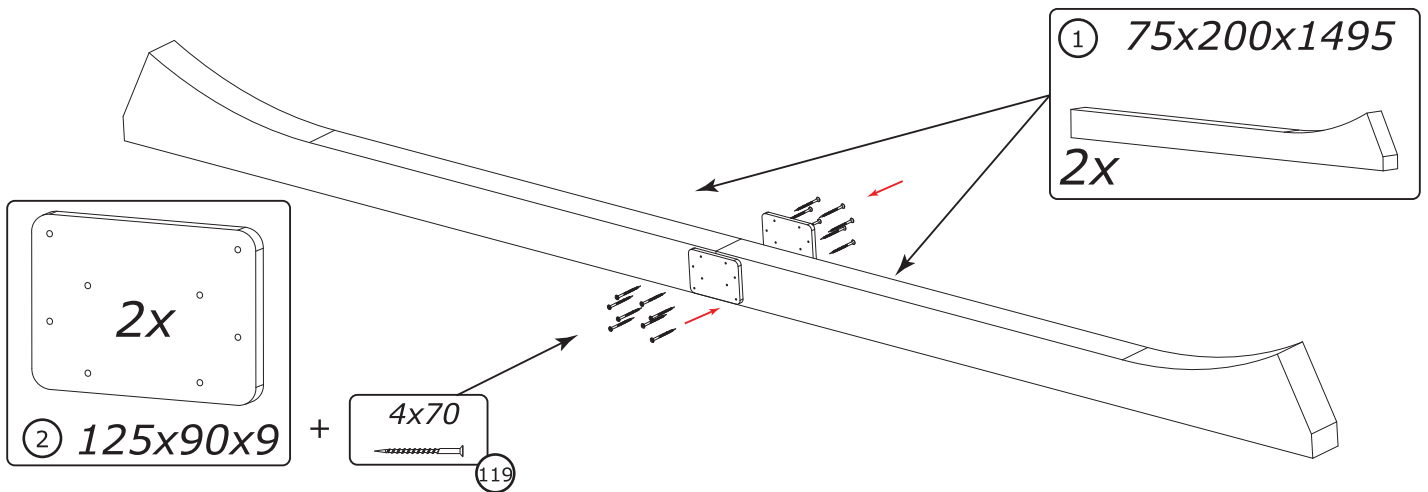


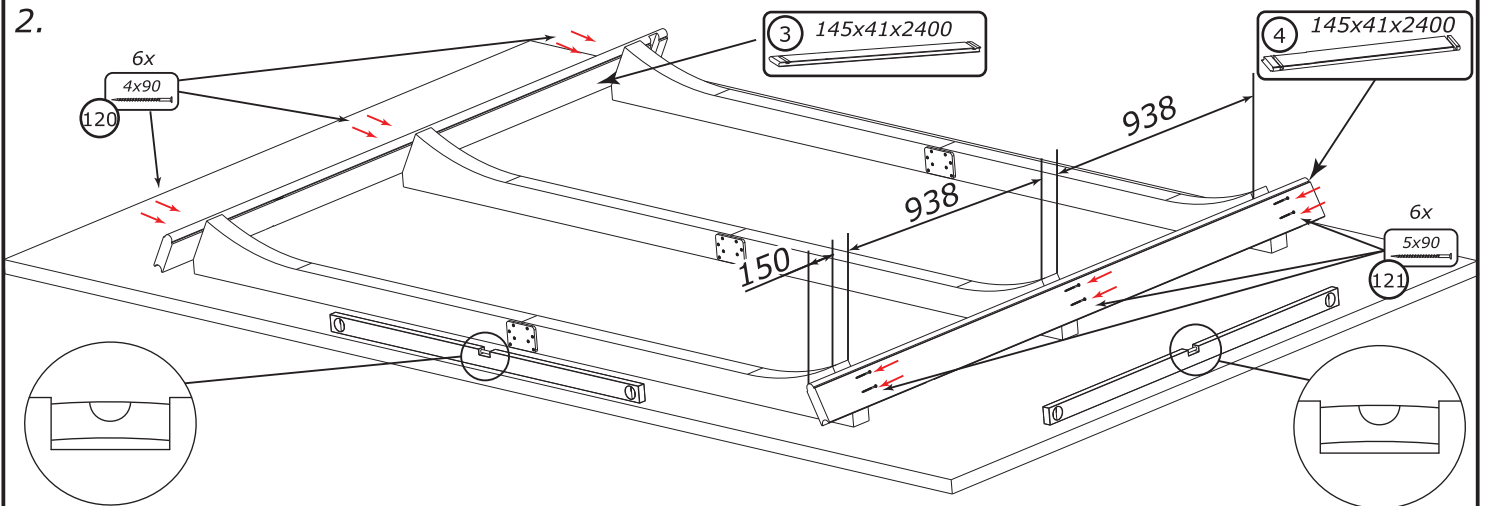
Tools required for sauna installation



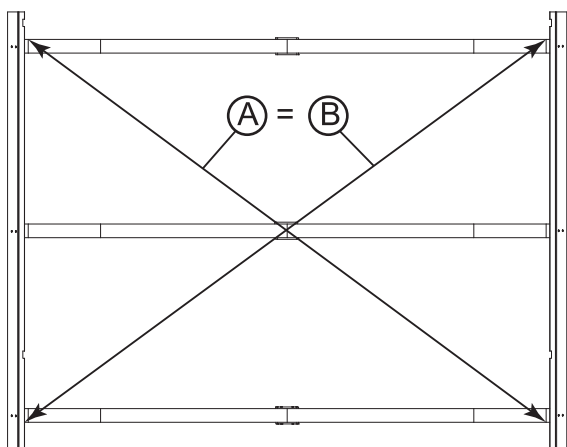
1.



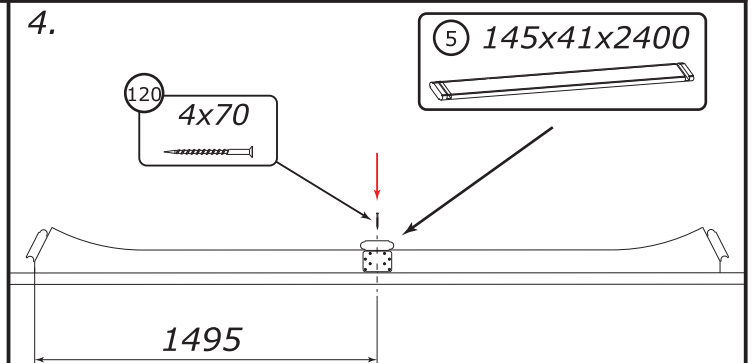
2.

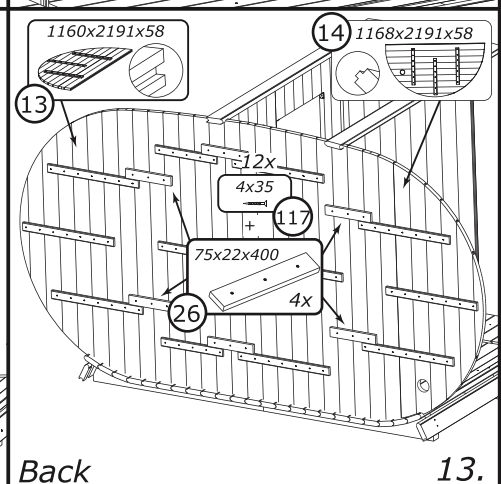
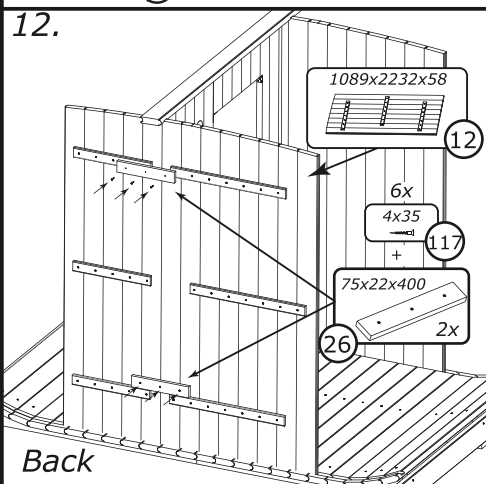
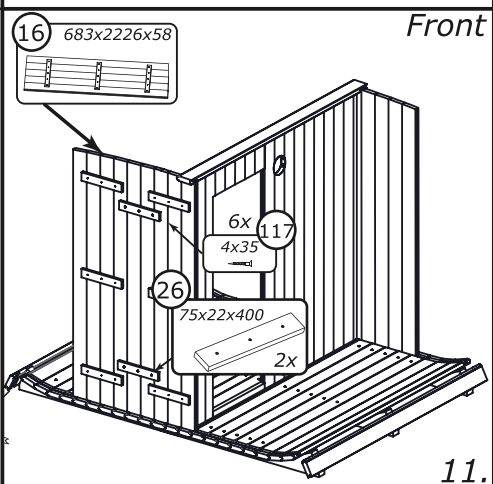
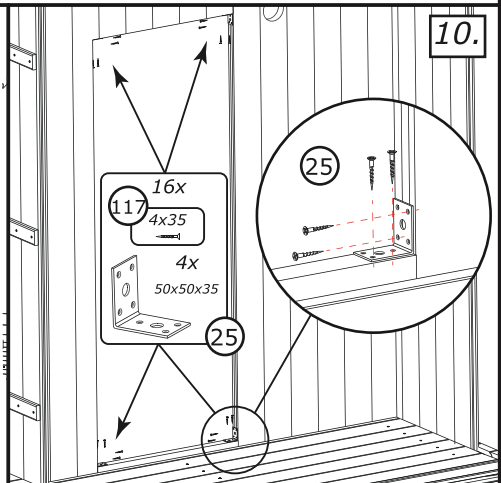
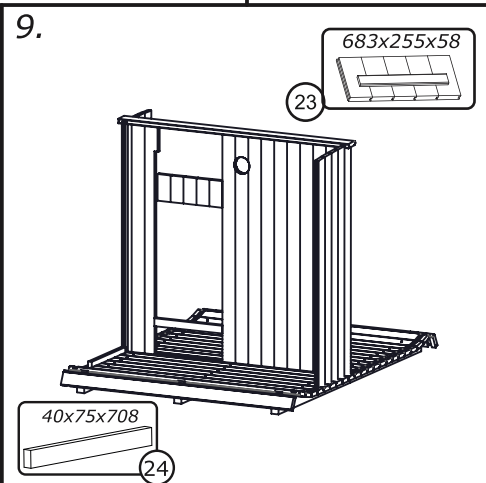
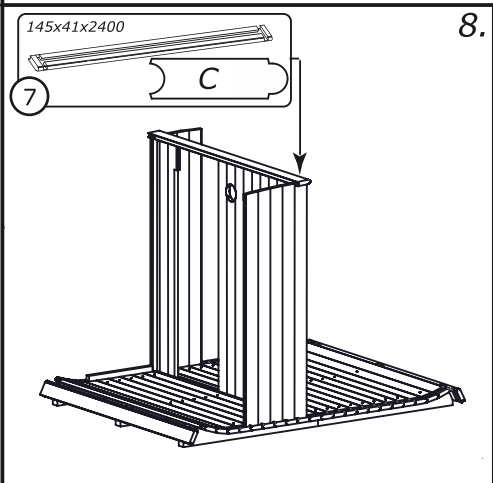
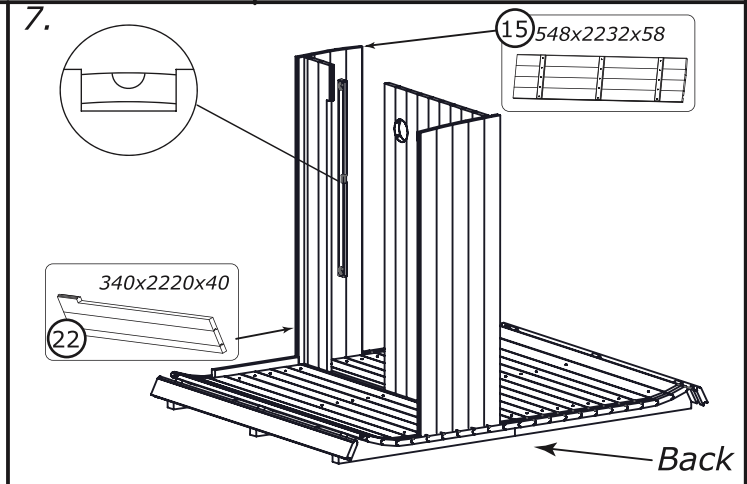
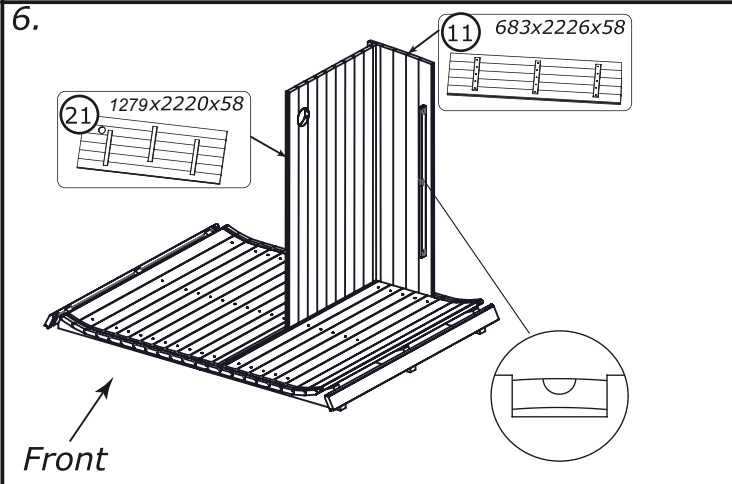
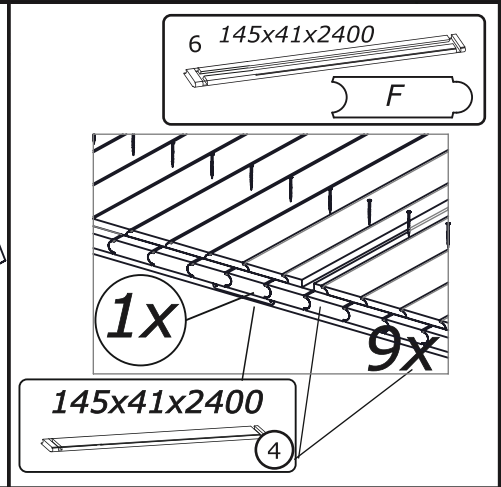
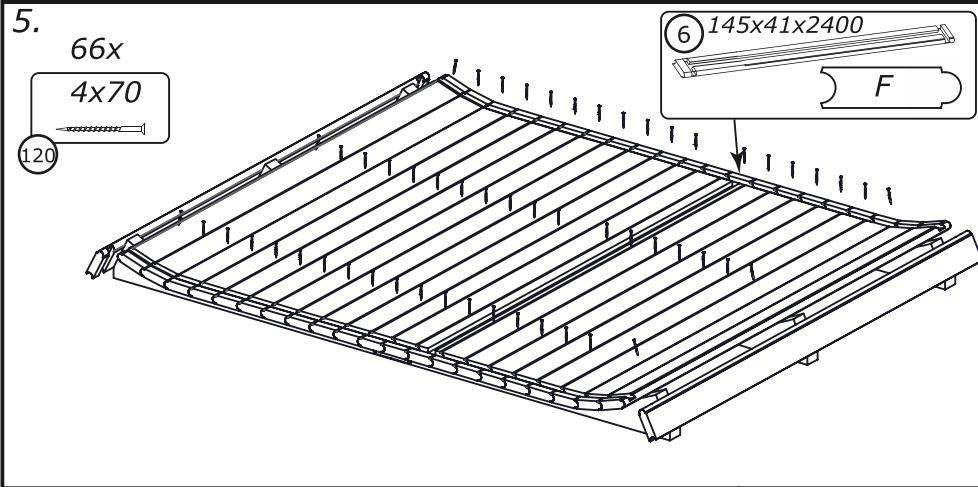


3.

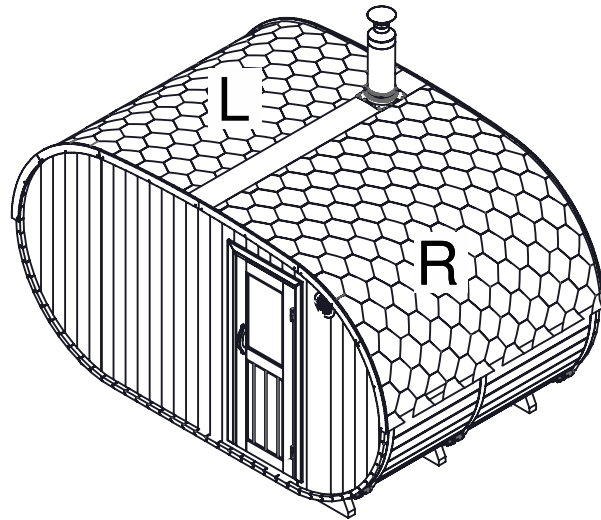


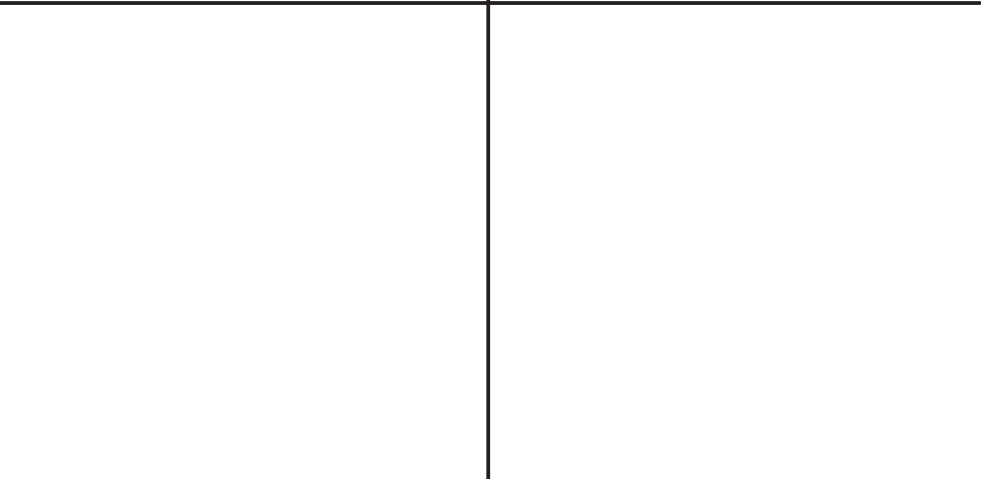
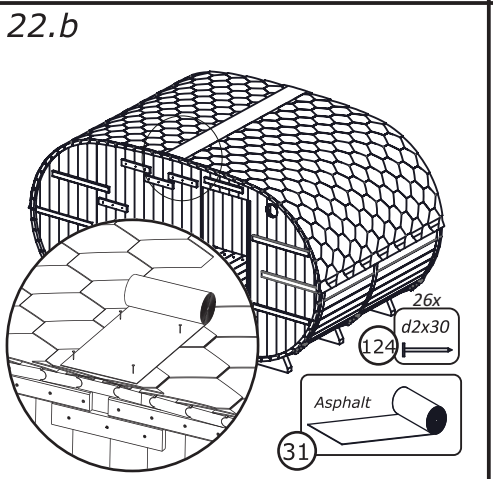
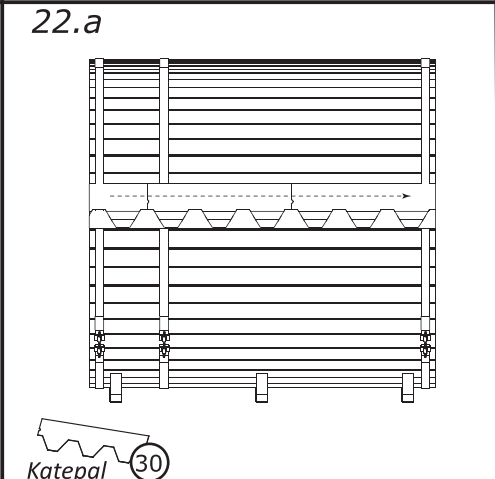
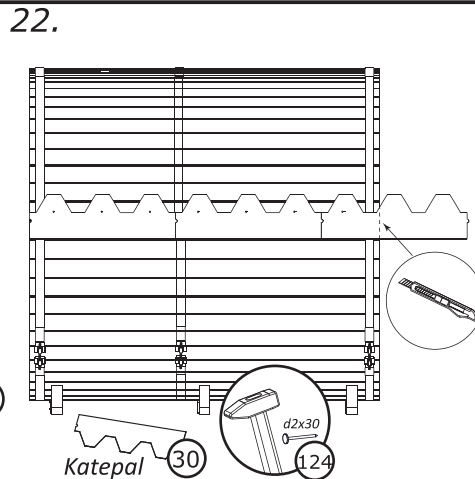
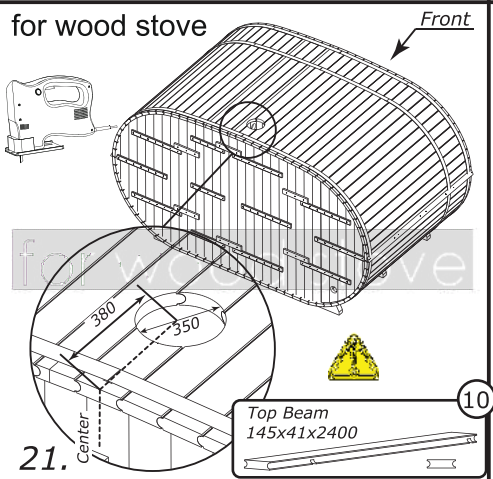
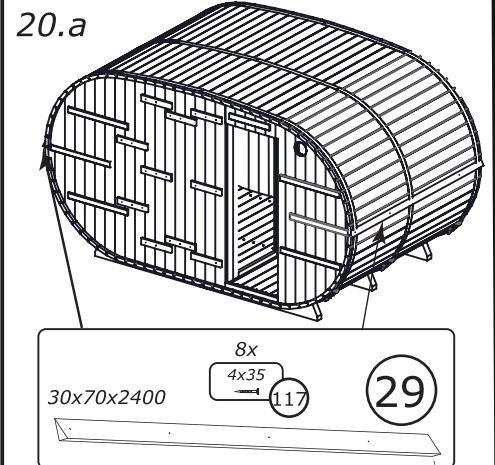
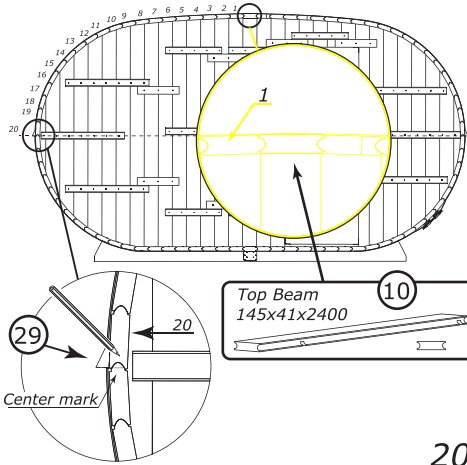
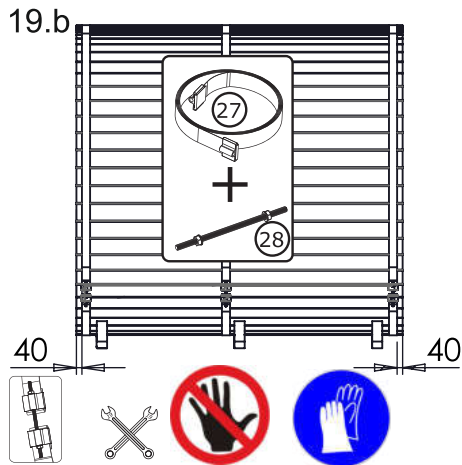
4.





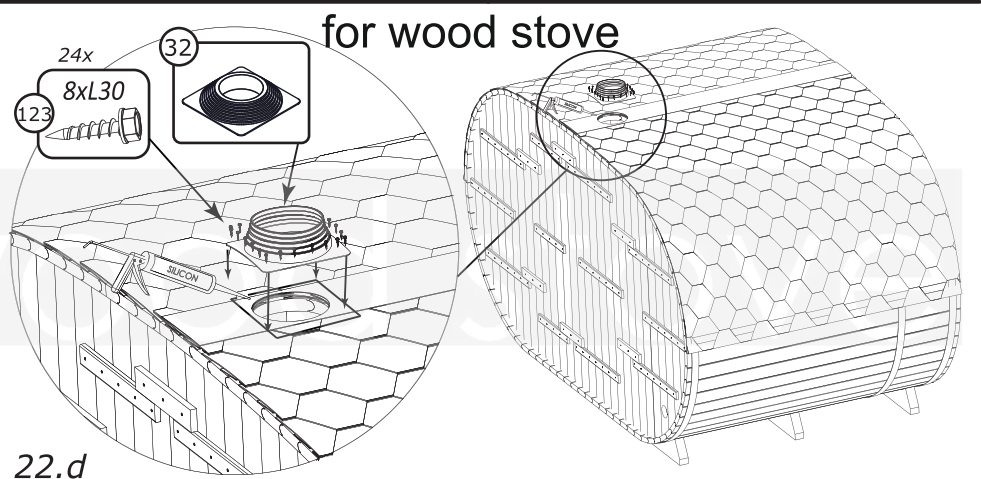
R1	52	53	54
R2	55	56	57
R3	58	59	60-1
R4	60-2	61	62
R5	63	64	65-1
R6	65-2	66	67
R7	68	69	70-1
R8	70-2	71	72
R9	73	74	75-1
R10	75-2	76	77
R11	78	79	80-1
R12	80-2	81	82
R13	83	84	85-1
R14	85-2	86	87
R15	88	89	90-1
R16	90-2	91	92
R17	93	94	95-1
R18	95-2	96	97
R19	98	99	100-1
R20	100-2	101	102
L20	49-2	50	51
L19	47	48	49-1
L18	44-2	45	46
L17	42	43	44-1
L16	39-2	40	41
L15	37	38	39-1
L14	34-2	35	36
L13	32	33	34-1
L12	29-2	30	31
L11	27	28	29-1
L10	24-2	25	26
L9	22	23	24-1
L8	19-2	20	21
L7	17	18	19-1
L6	14-2	15	16
L5	12	13	14-1
L4	9-2	10	11
L3	7	8	9-1
L2	4	5	6
L1	1	2	3

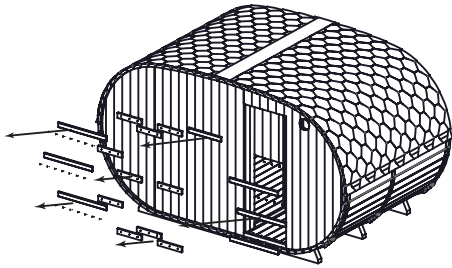




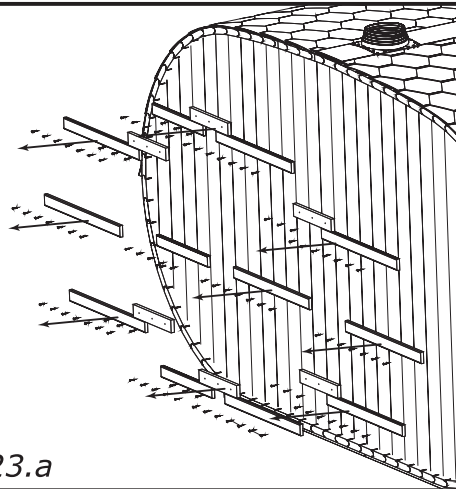
for wood stove

for wood stove

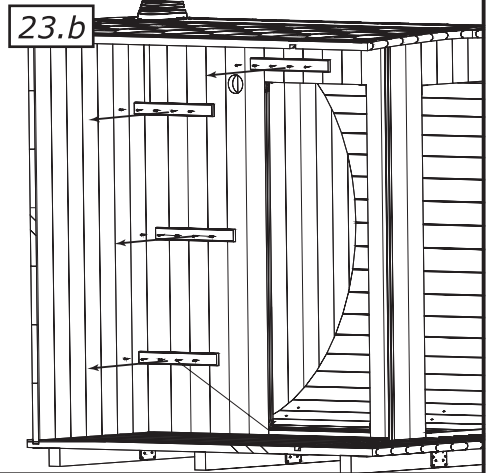




23.

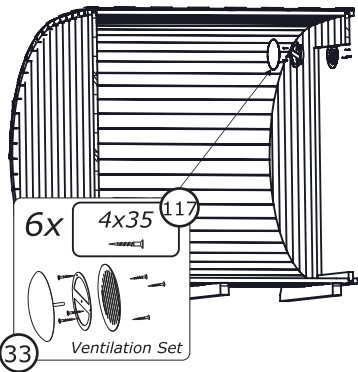


23.a

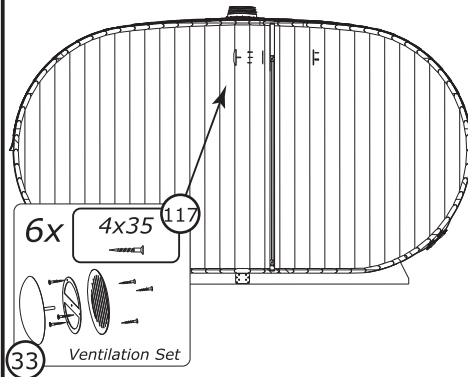


23.b

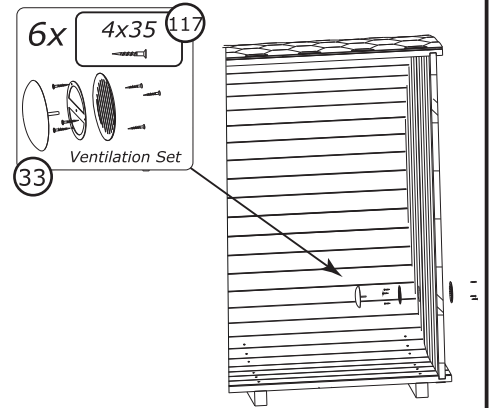
24.



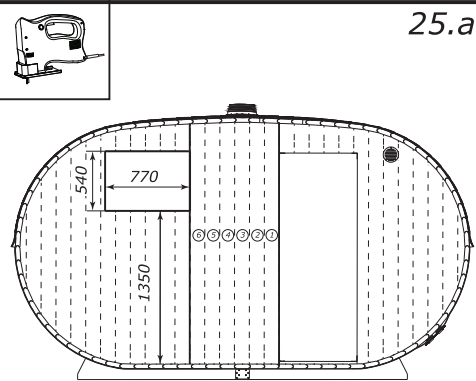
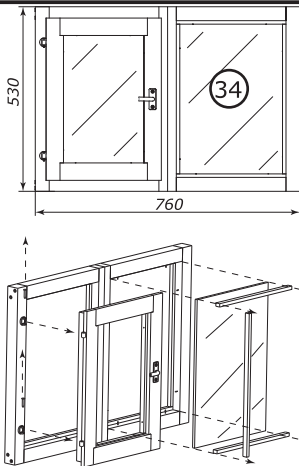
24.a



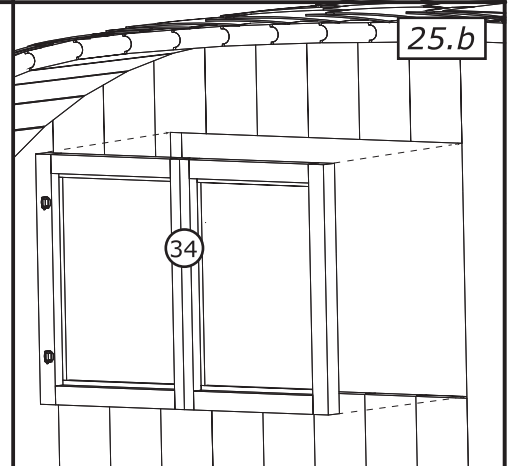
24.b



25.

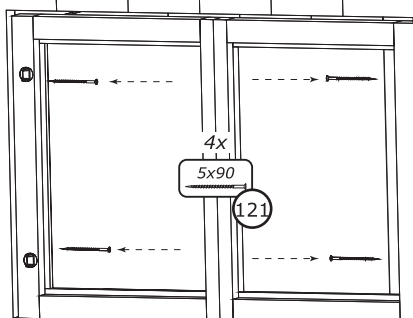


25.a

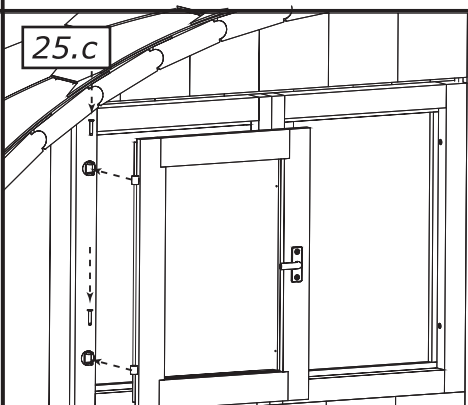


25.b

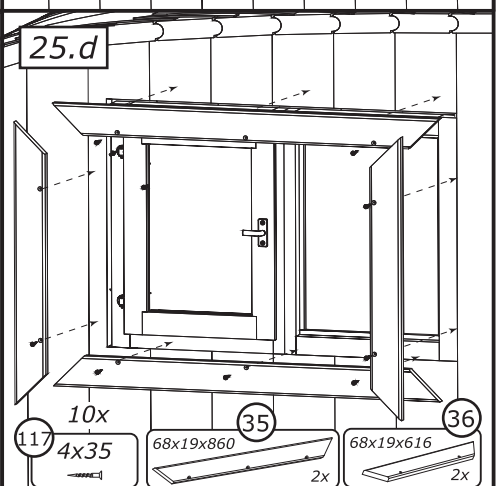
25.b

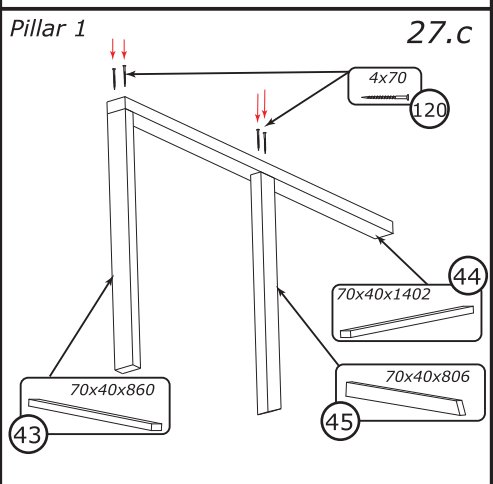
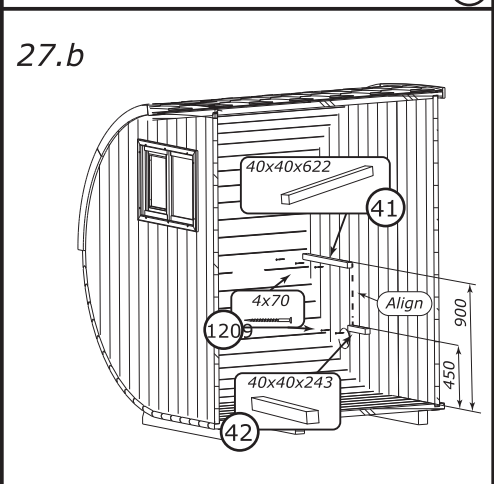
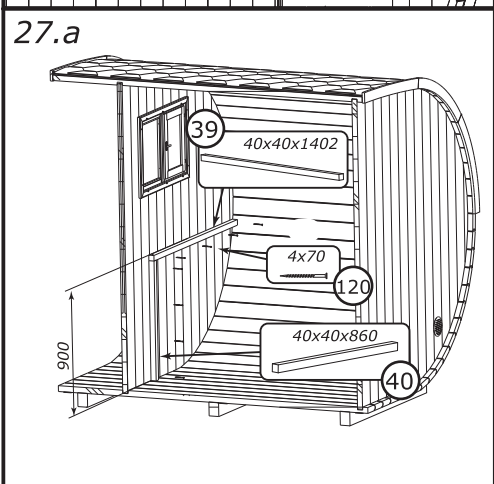
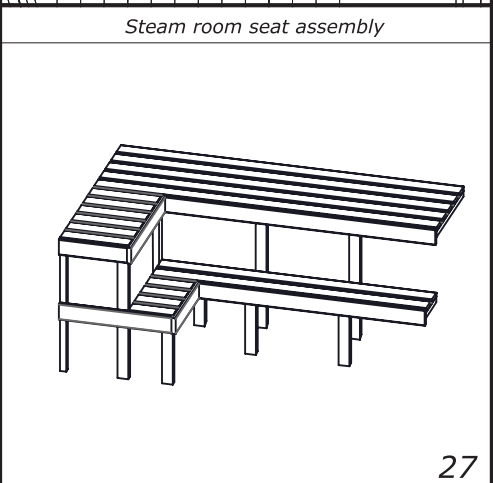
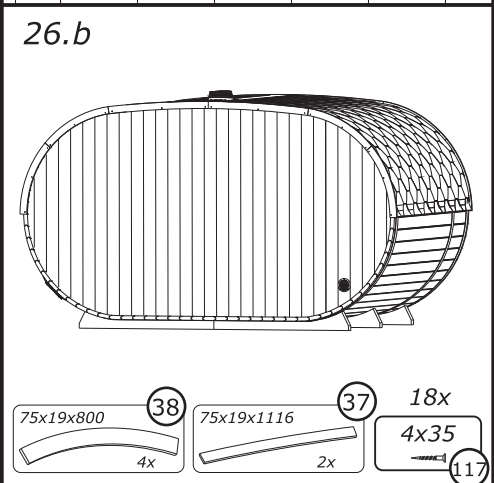
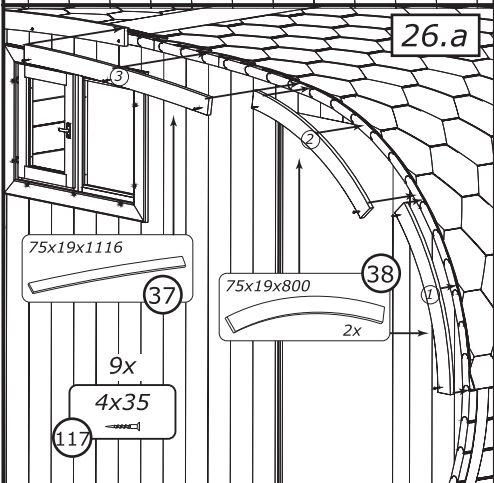
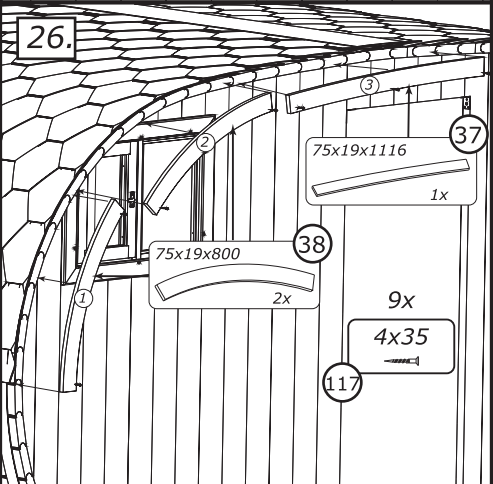
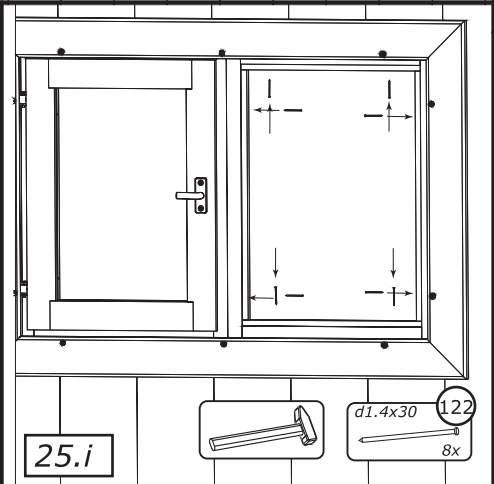
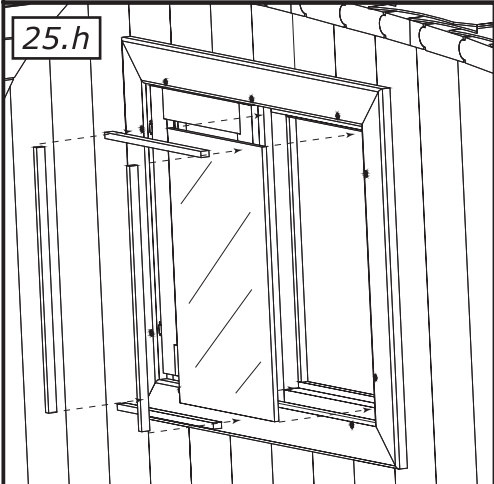
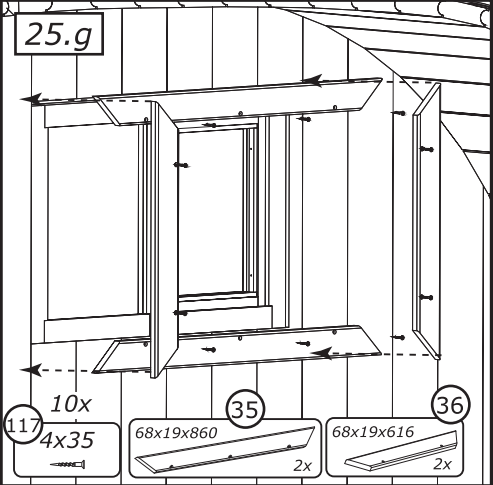
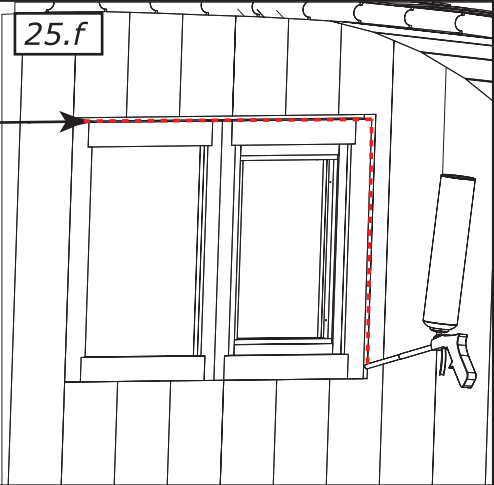
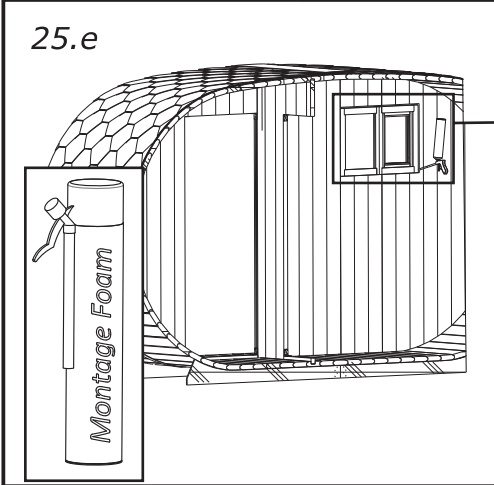


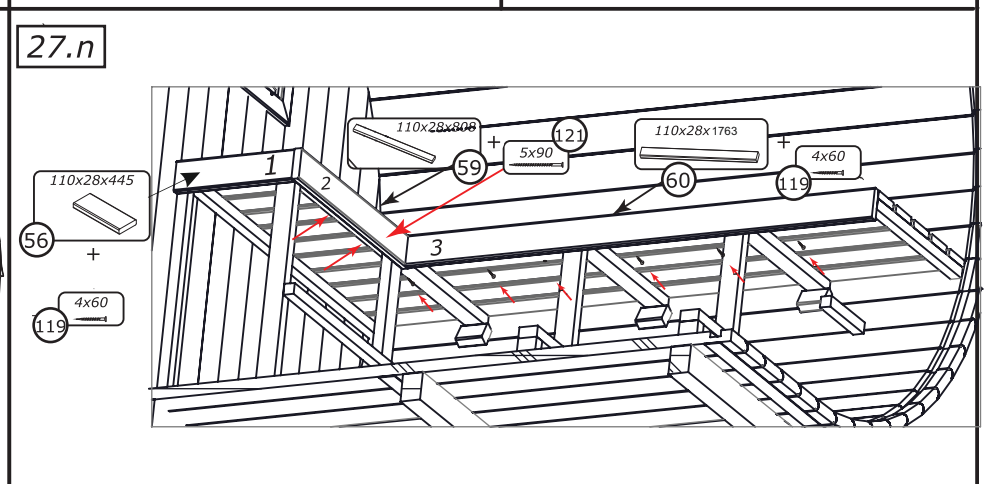
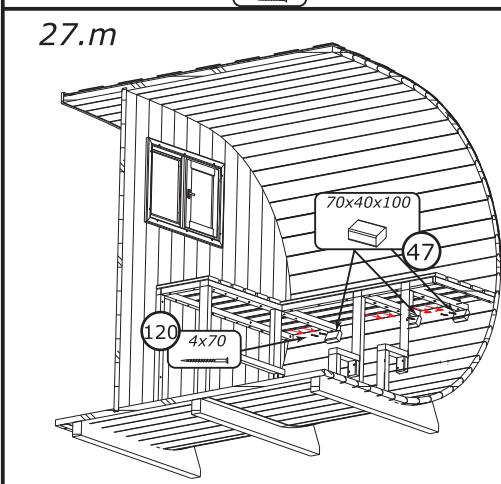
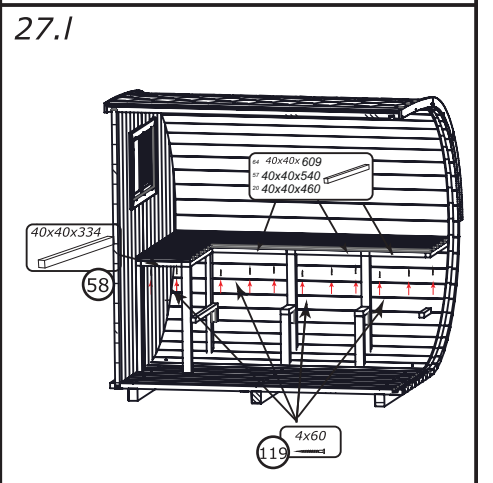
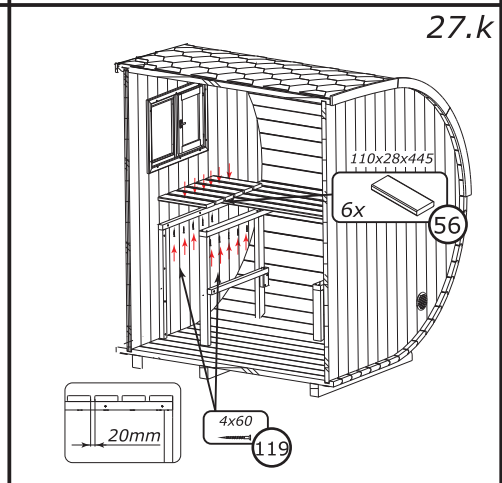
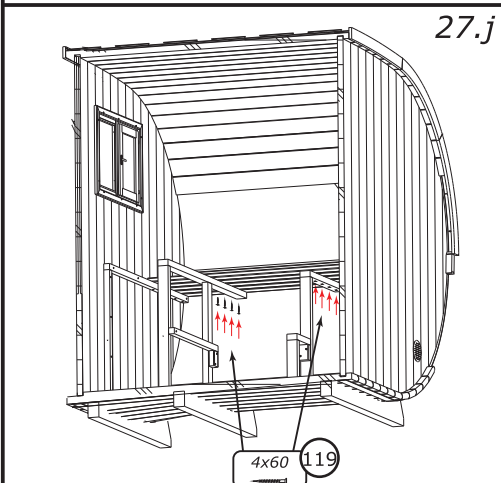
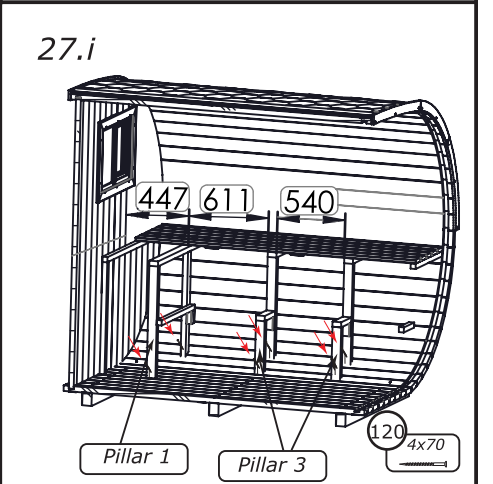
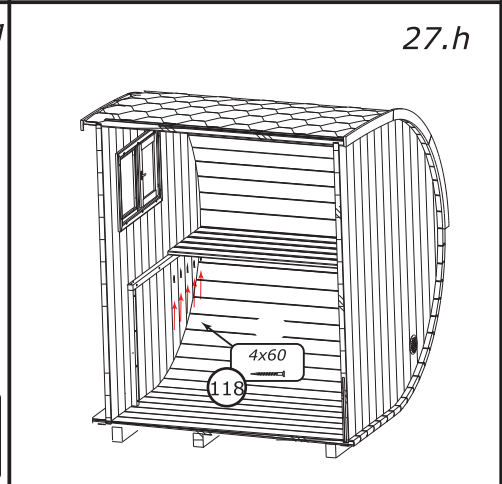
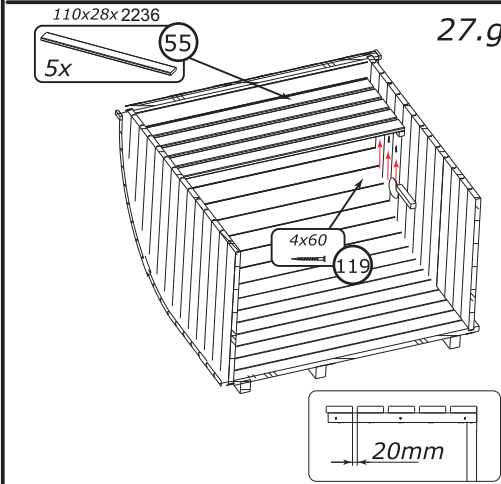
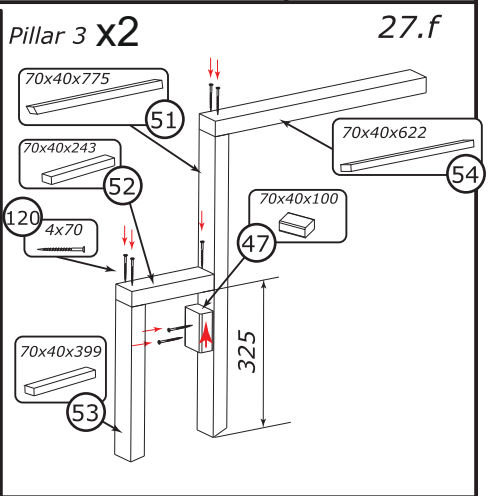
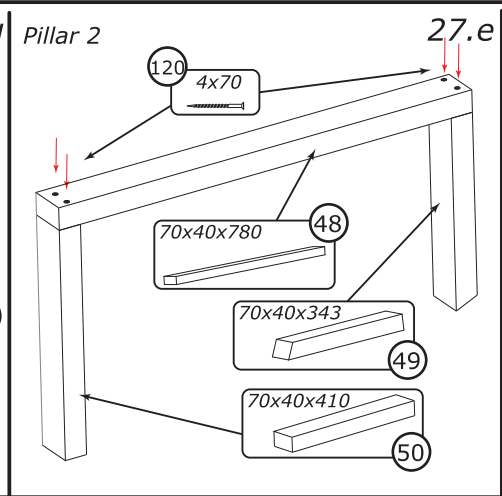
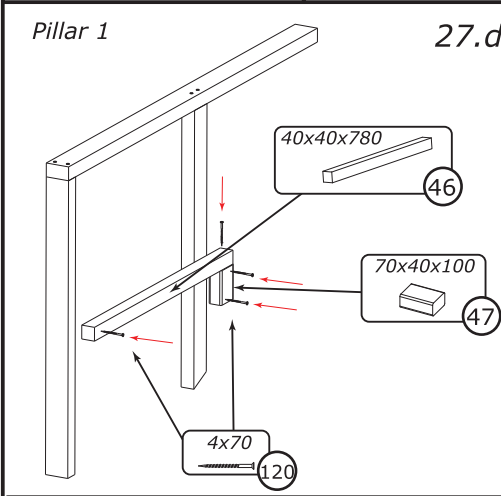
25.c



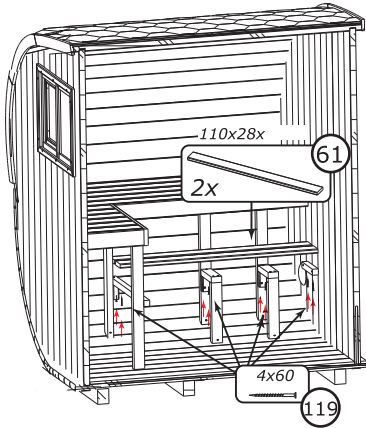
25.d



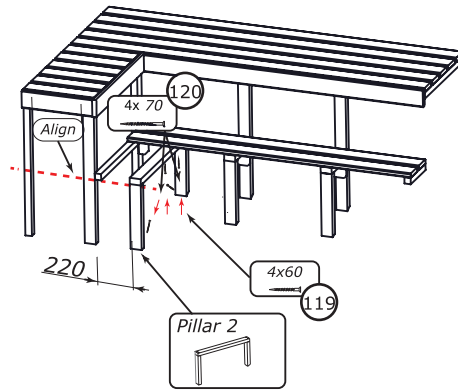




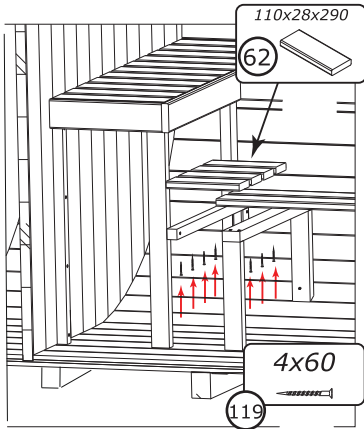
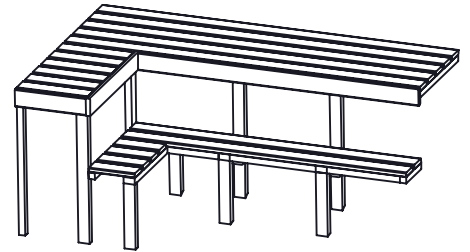
27.p



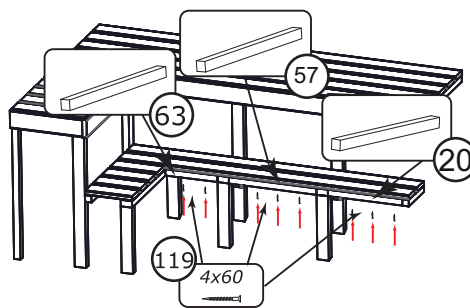
27.q



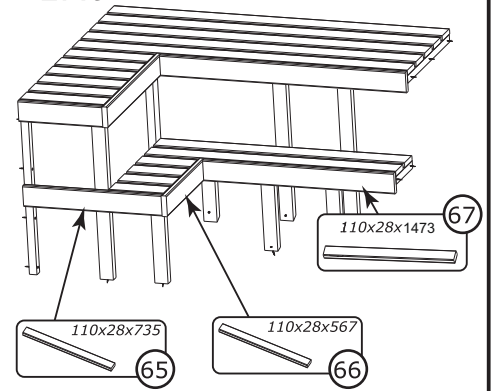
27.r



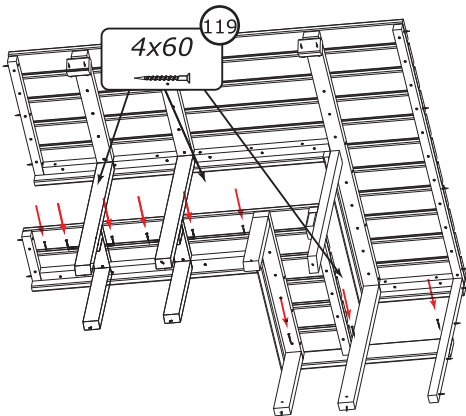
27.s



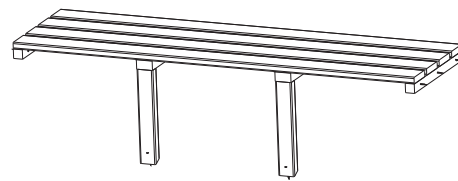
27.t



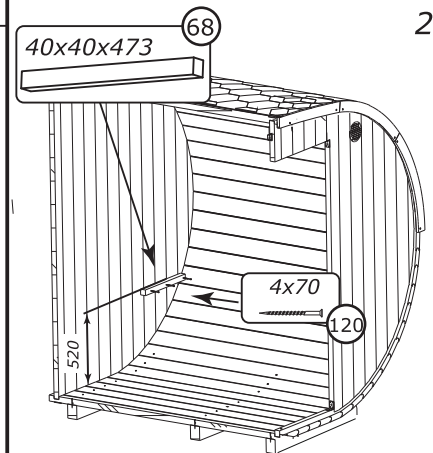
Dressing room seat assembly



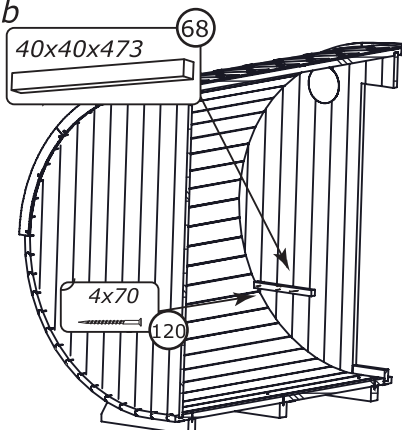
28



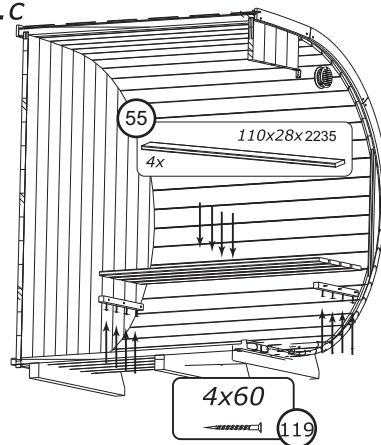
28.a



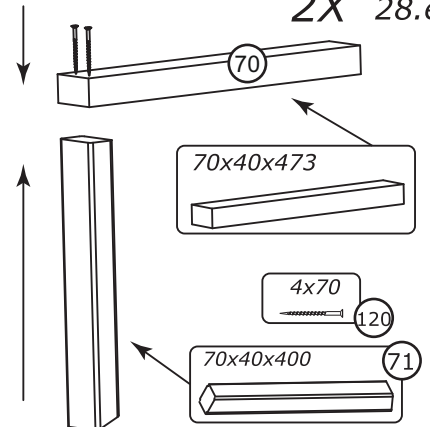
28.b

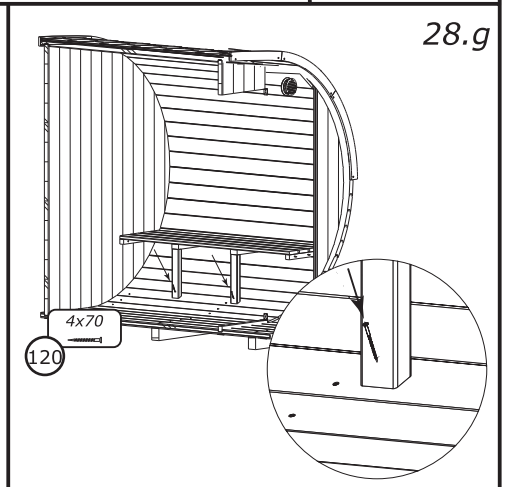
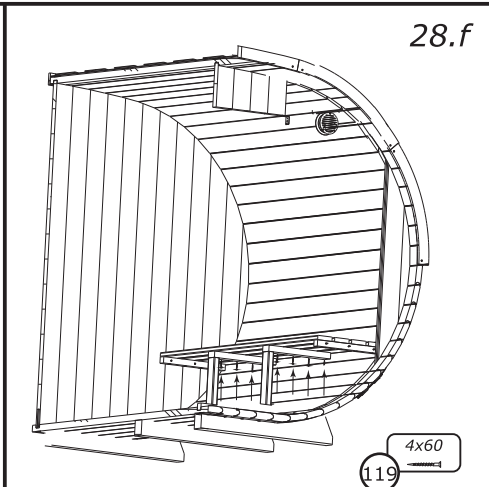
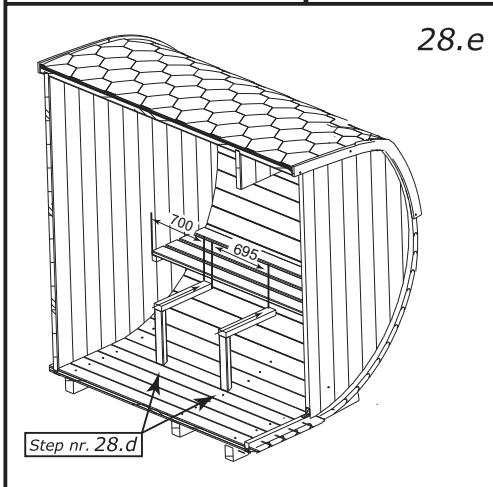


28.c

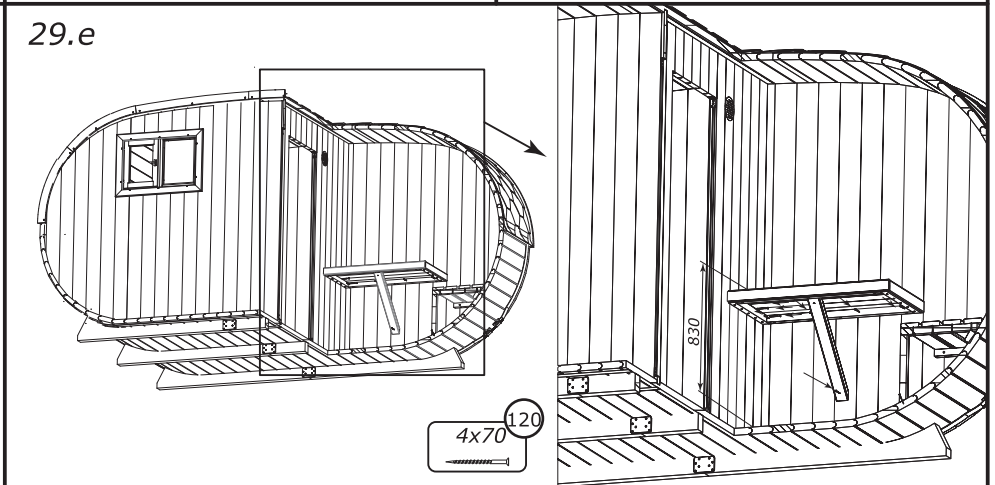
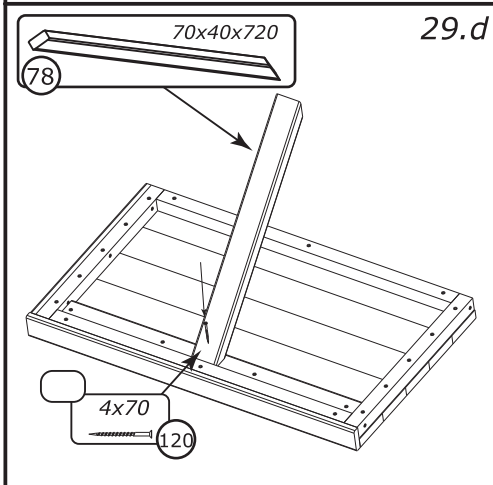
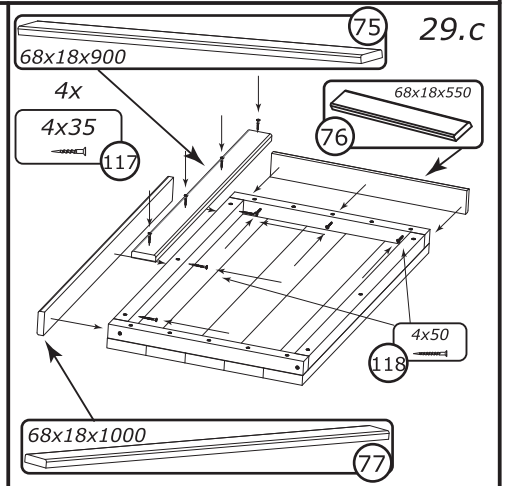
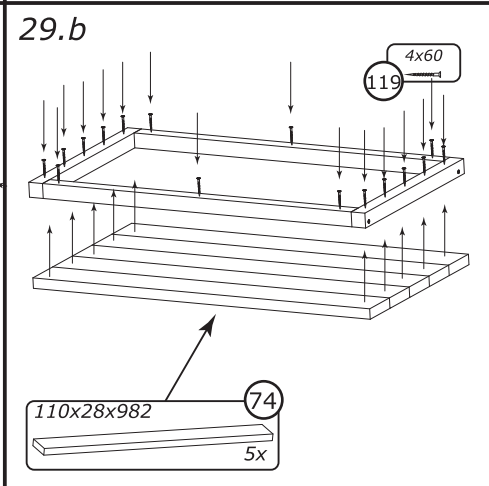
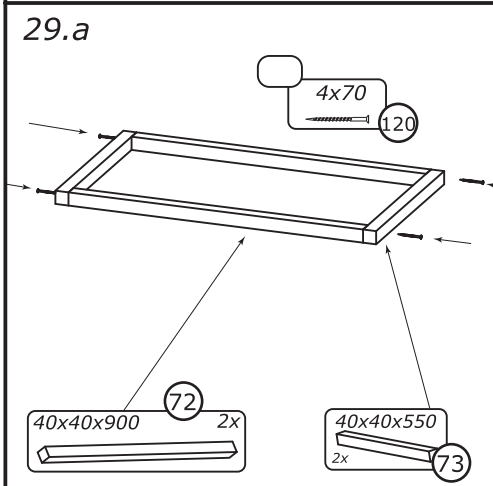
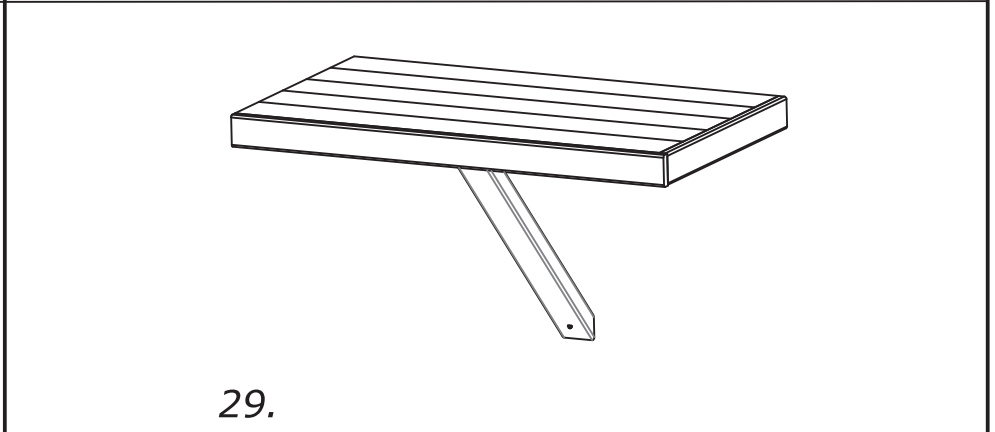
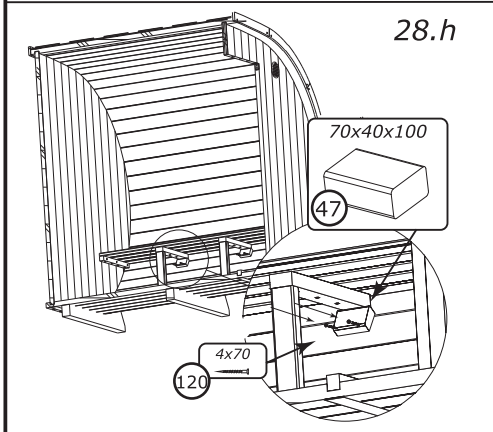


2X 28.e

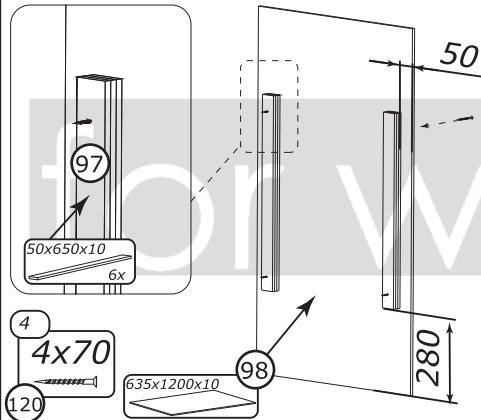




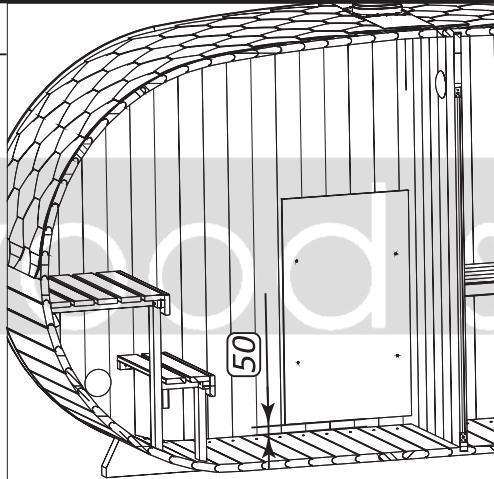
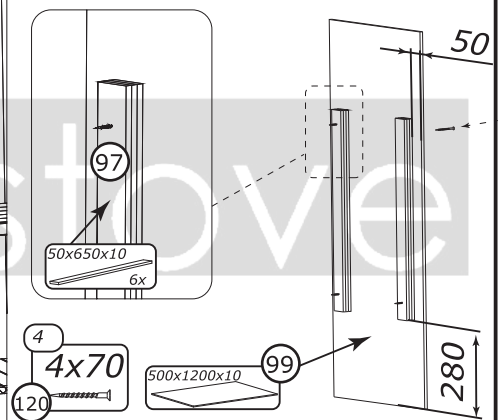
Dressing room table



31 Fireproof panel 1

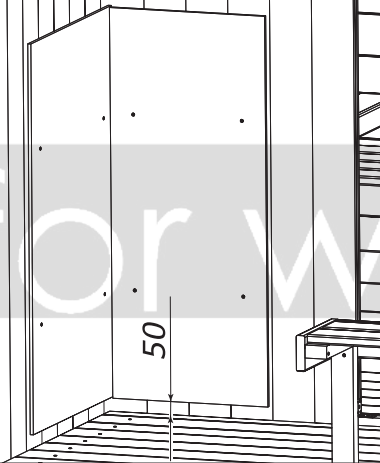


32 Fireproof panel 2



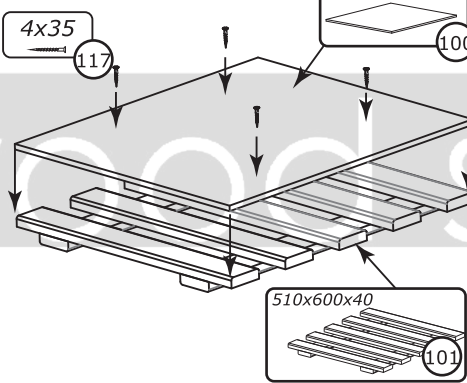
33

for wood stove

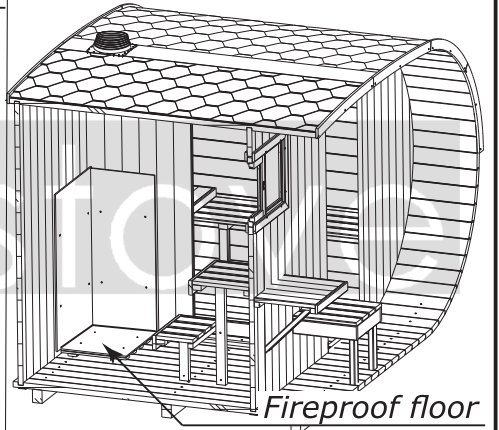


34 Fireproof floor

for wood stove

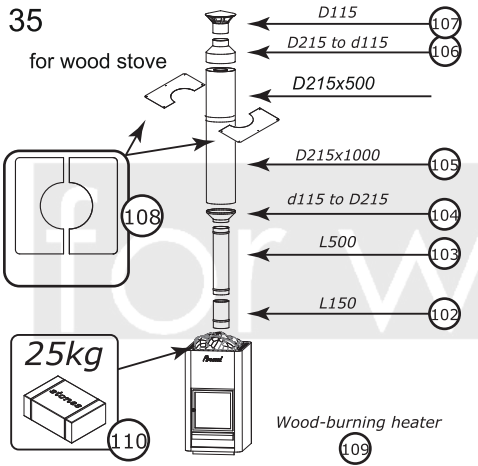


for wood stove

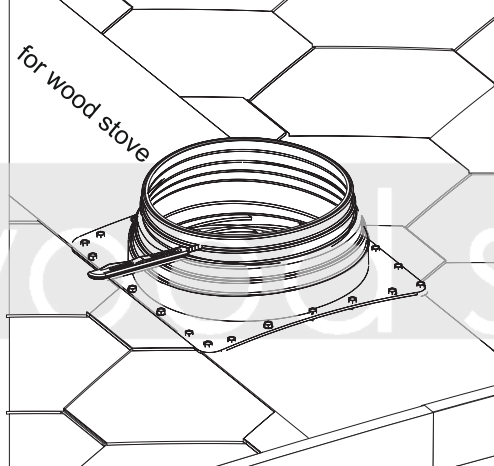


35

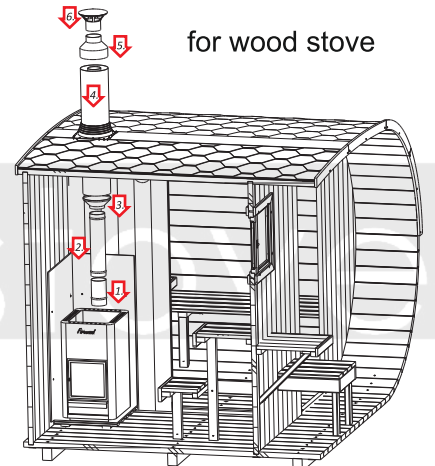
for wood stove



for wood stove

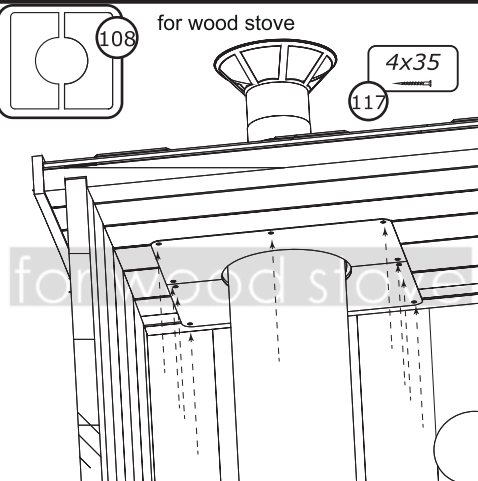


for wood stove



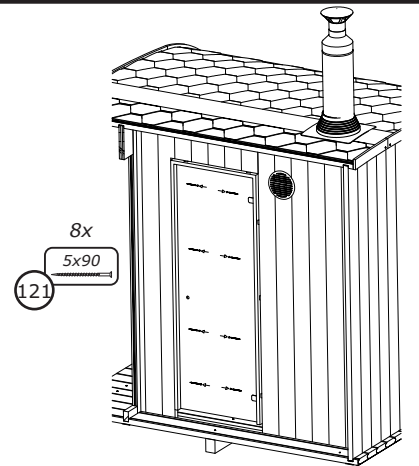
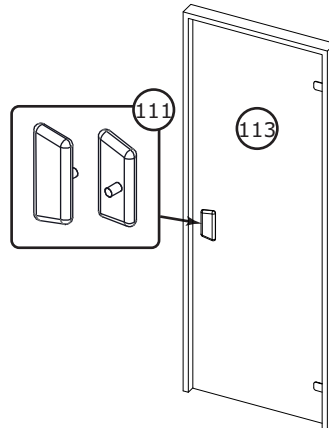
108

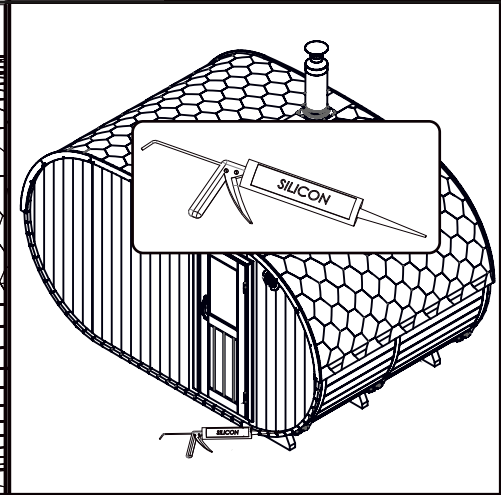
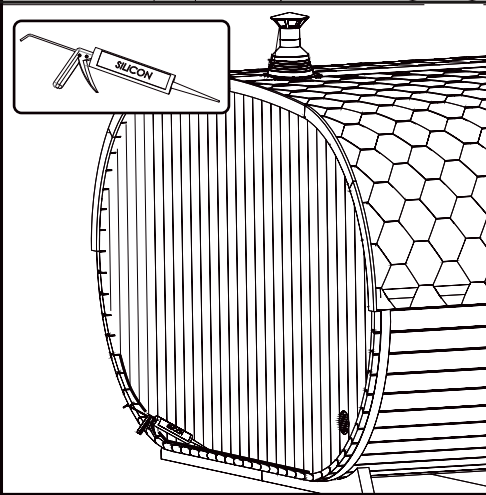
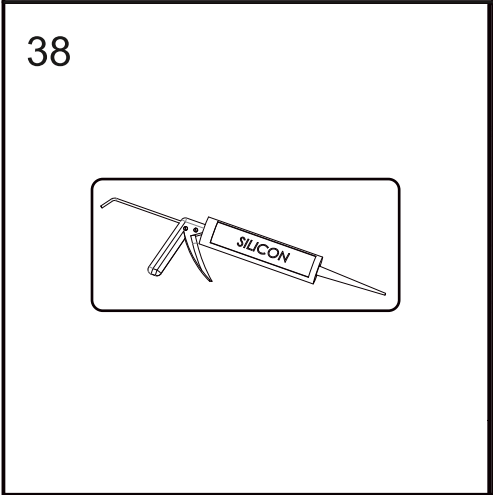
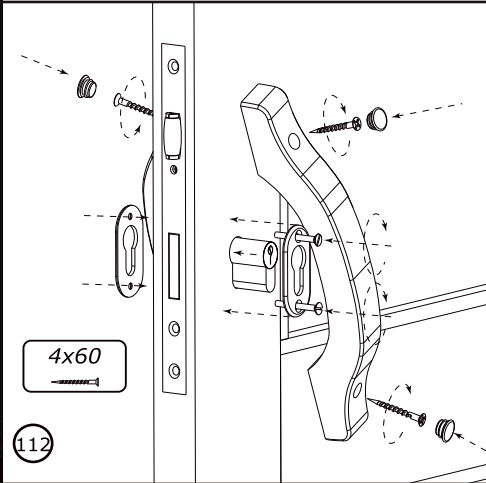
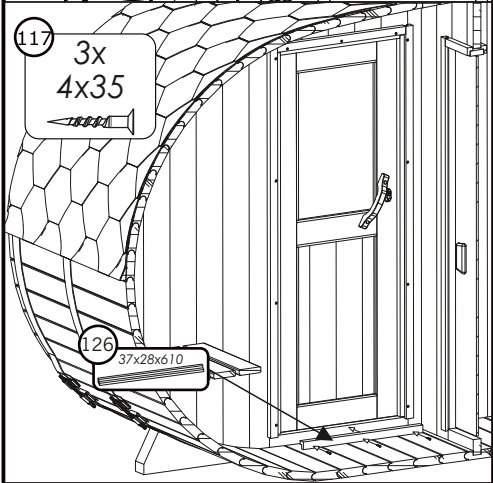
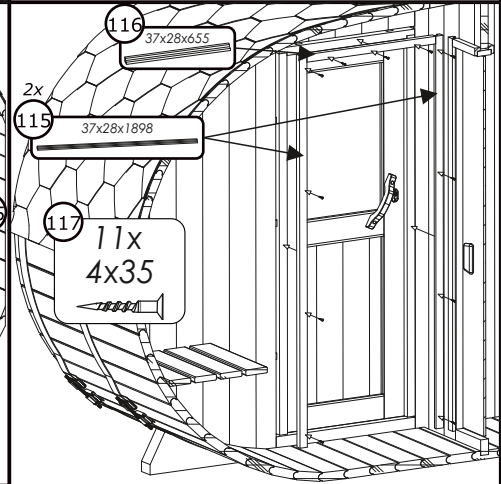
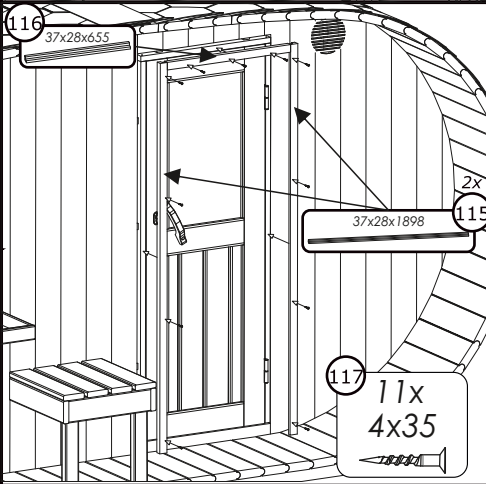
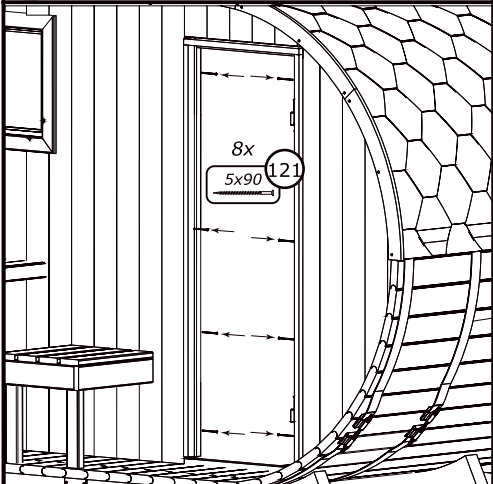
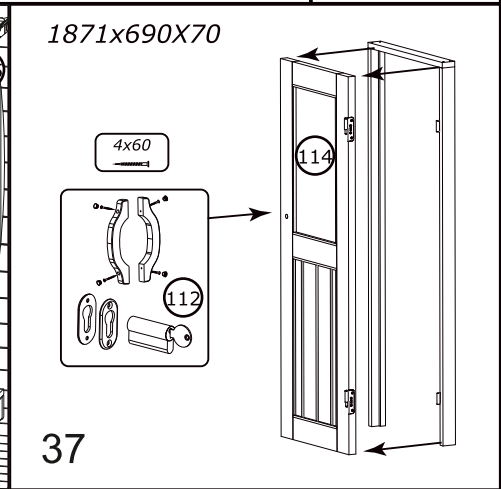
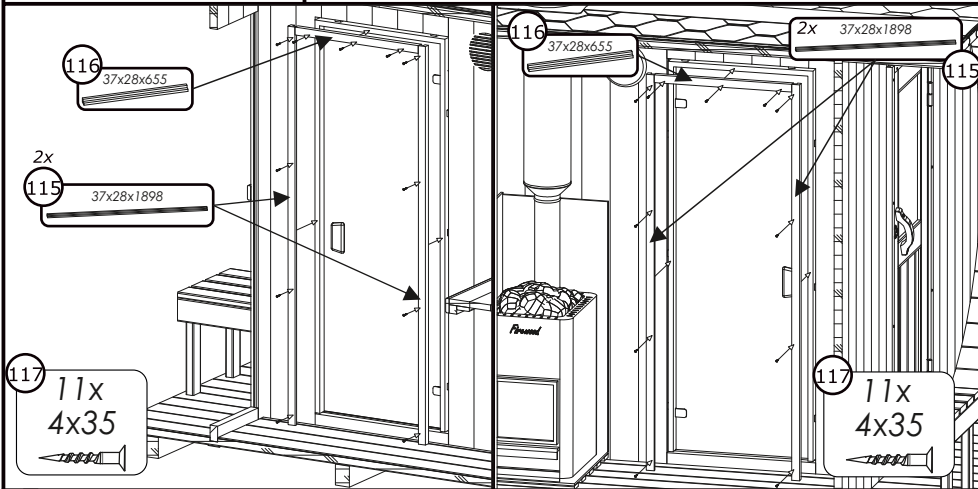
for wood stove

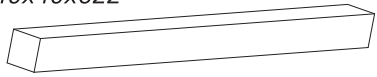

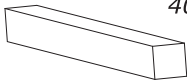

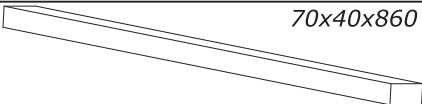
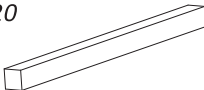
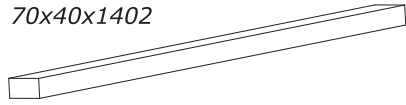
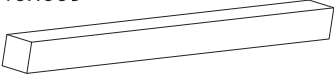
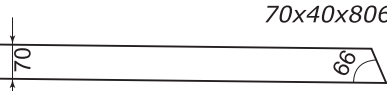
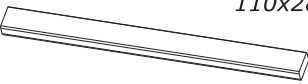
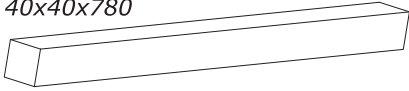

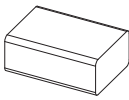

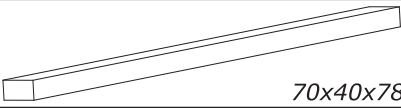

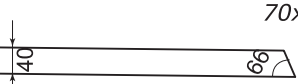

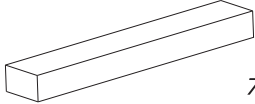
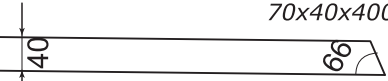
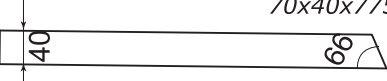
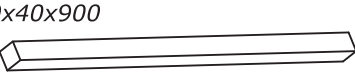
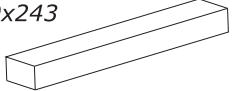

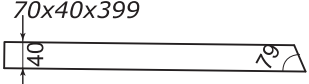

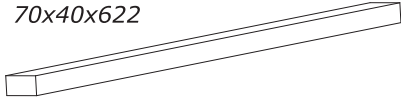

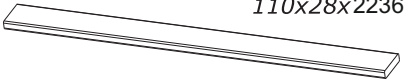

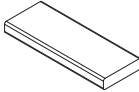



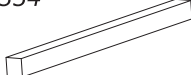
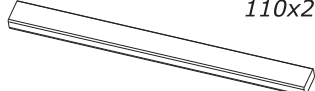








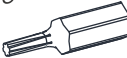
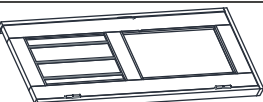




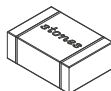
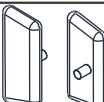

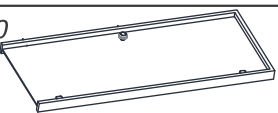


1871x690x70

36





41 si295	40x40x622 	1	61 si314	110x28x1791 	2
42 si296	40x40x243 	1	62 si314	110x28x290 	4
43 si297	70x40x860 	1	63 si315	40x40x320 	1
44 si298	70x40x1402 	1	64 si316	40x40x609 	1
45 si299	70x40x806 	1	65 si317	110x28x735 	1
46 si300	40x40x780 	1	66 si318	110x28x567 	1
47 ks87	70x40x100 	8	67 si319	110x28x1473 	1
48 si301	70x40x780 	1	68 si320	40x40x473 	2
49 si302	70x40x343 	1	70 si322	70x40x473 	2
50 si303	70x40x410 	1	71 si323	70x40x400 	2
51 si304	70x40x775 	2	72 st324	40x40x900 	2
52 si305	70x40x243 	2	73 st325	40x40x550 	2
53 si306	70x40x399 	2	74 st326	110x28x982 	5
54 si307	70x40x622 	2	75 st327	68x18x900 	1
55 si409	110x28x2236 	9	76 st328	68x18x550 	1
56 si309	110x28x445 	7	77 st329	68x18x1000 	1
57 si410	40x40x540 	2	78 st330	70x40x720 	1
58 si310	40x40x334 	1			
59 si311	110x28x808 	1			
60 si411	110x28x1763 	1			

Nr	Preview Size	Qty
119	4x60 	130 pcs 400 gramms
120	4x70 	150 pcs 525 gramms
121	5x90 	40 pcs 290 gramms
122	1.4x30 	10
124	2xL30 	470 pcs 675 gramms
125	T15, T20, T25 	1+1+1
114 d118set	1870x690 	1
115 d119-1	37x28x1898 	8
116 d119	37x28x655 	4
117	4x35 	160
118	4x50 	10 pcs gramms
110	400x285x150  Stones	
111 d117set		Set
112 d118set		Set
113 d117set	1870x690 	1
126	37x28x610 	1
Set		1