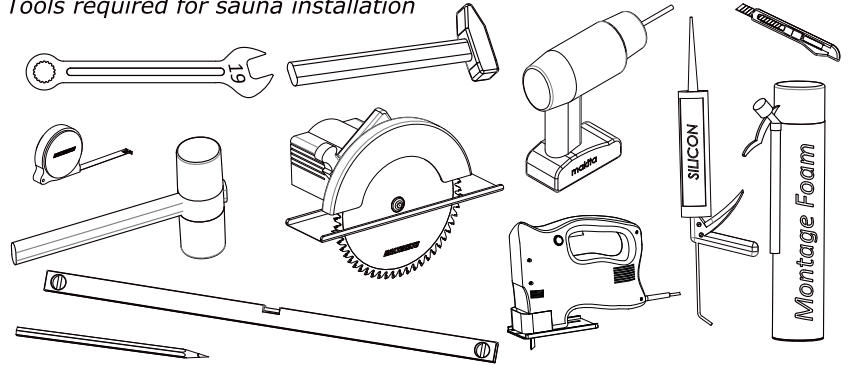
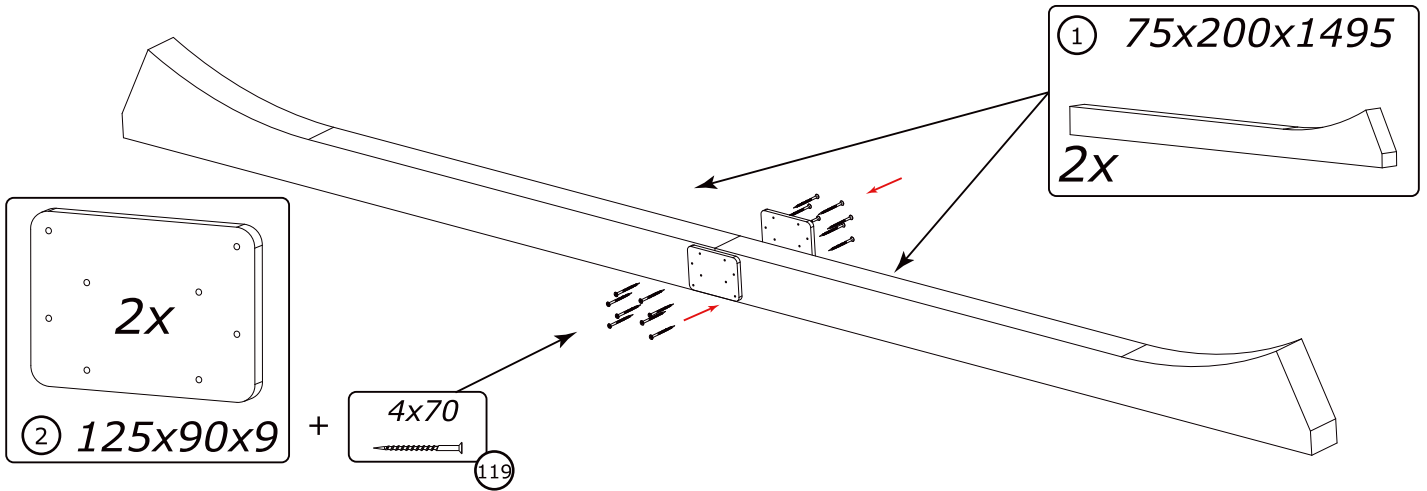


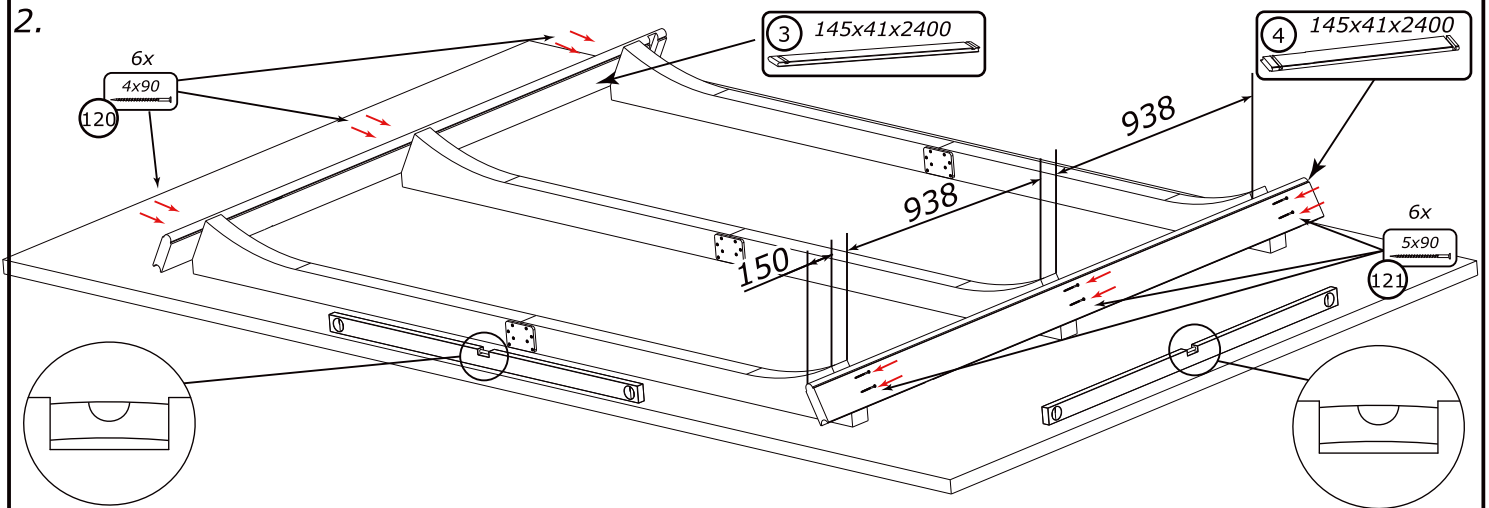
Tools required for sauna installation



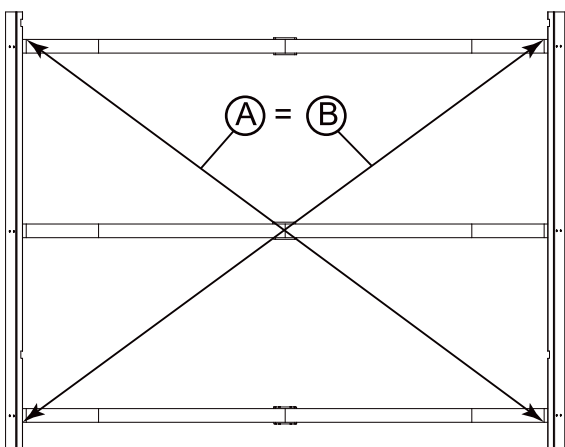
1.



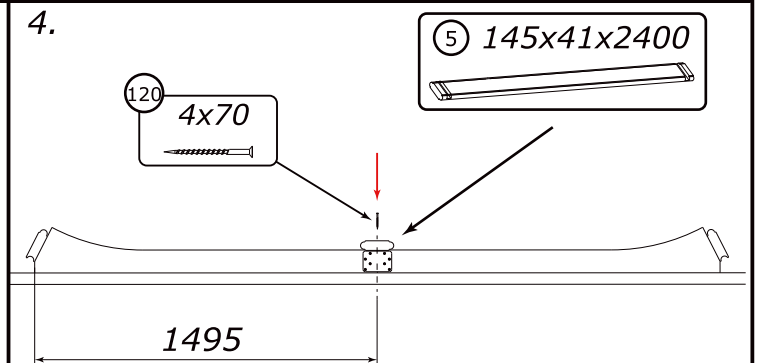
2.

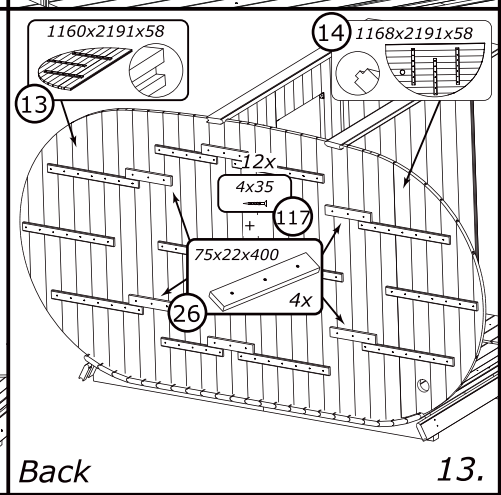
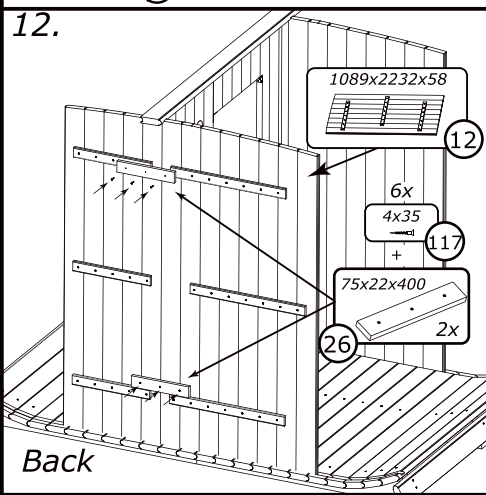
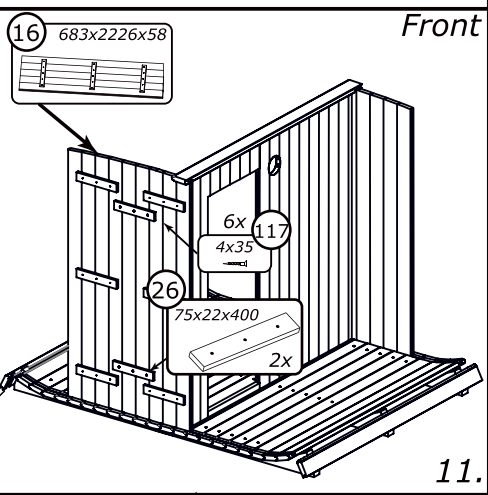
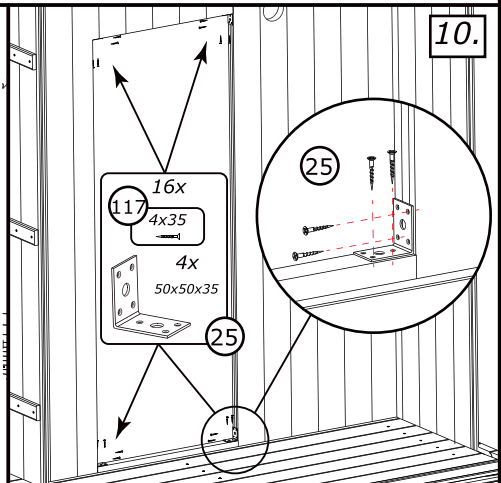
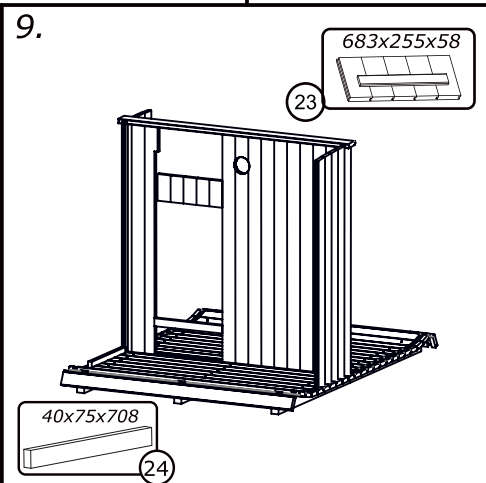
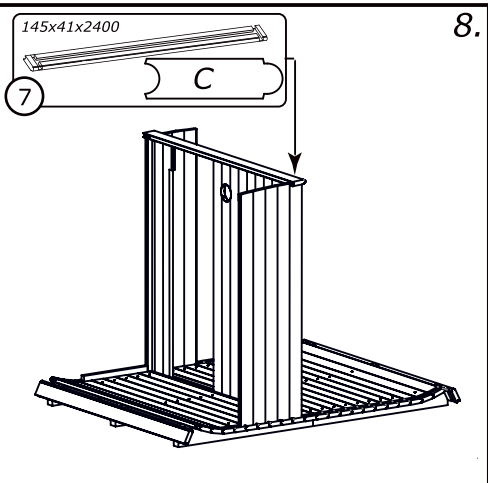
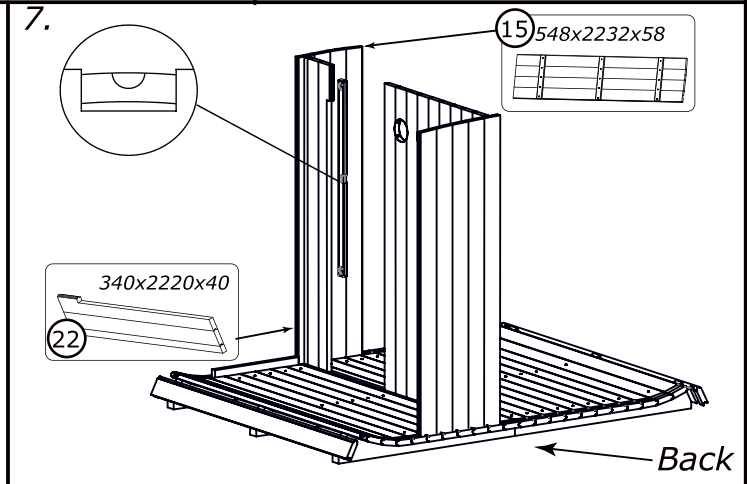
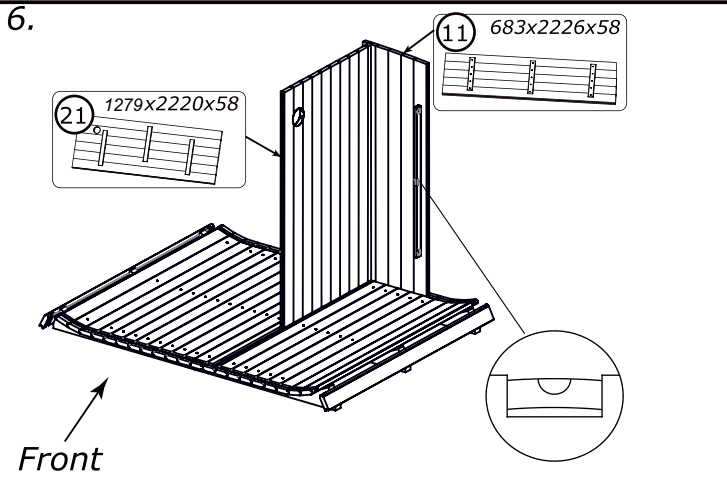
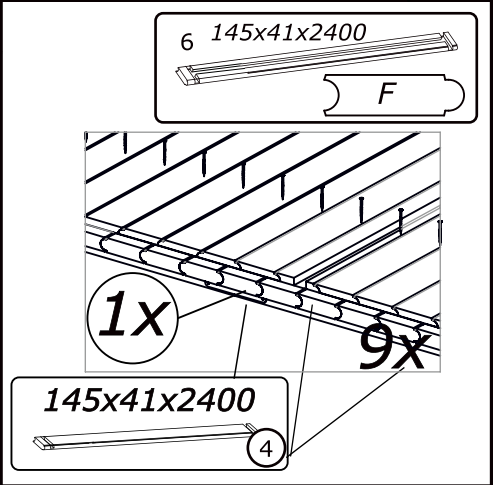
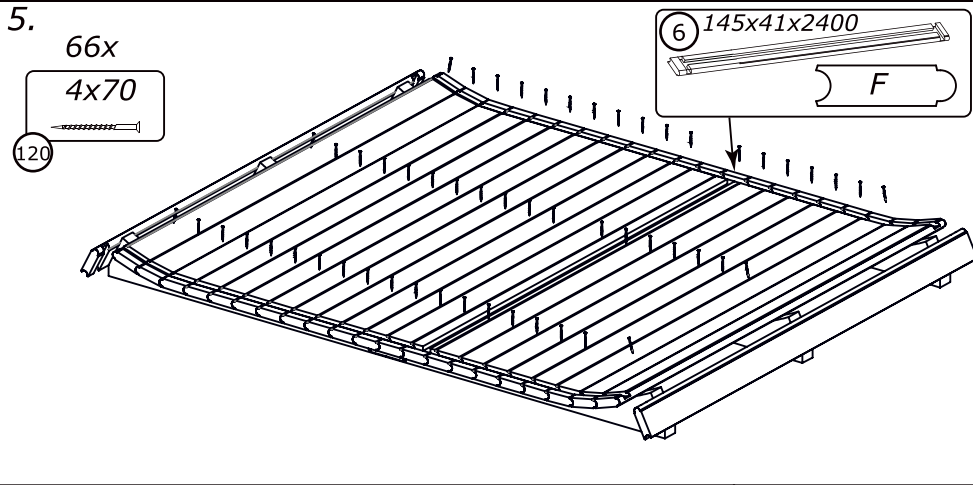


3.

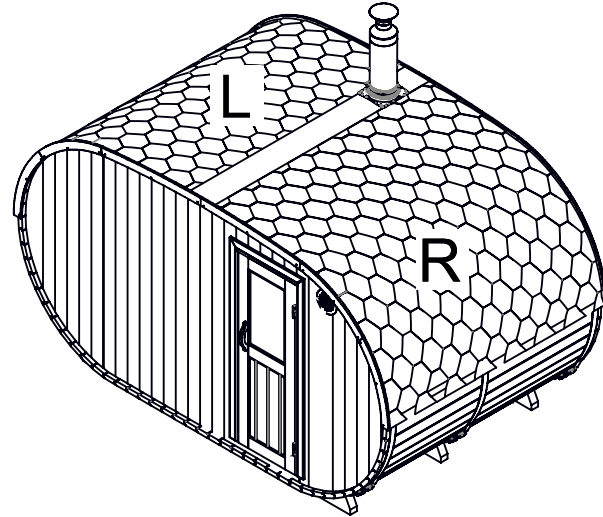


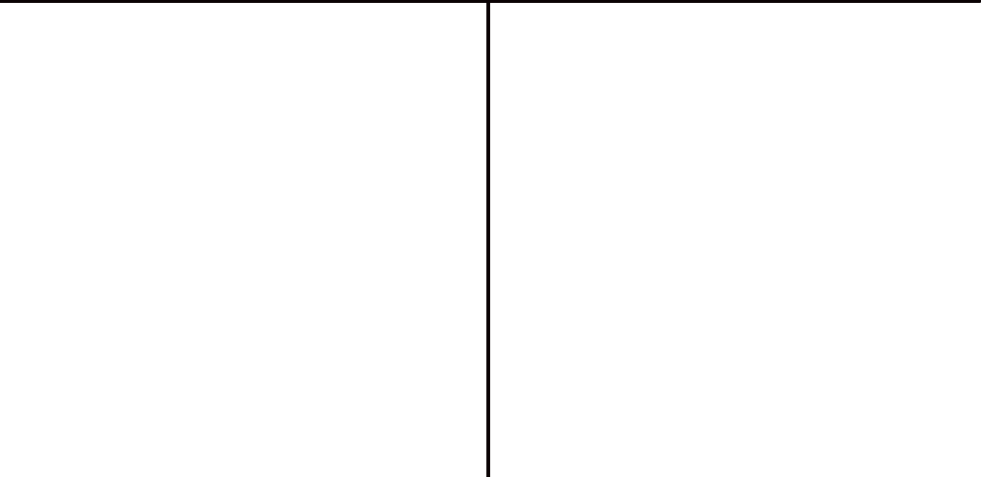
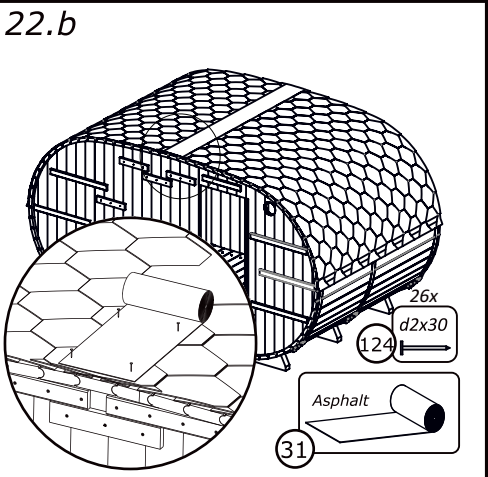
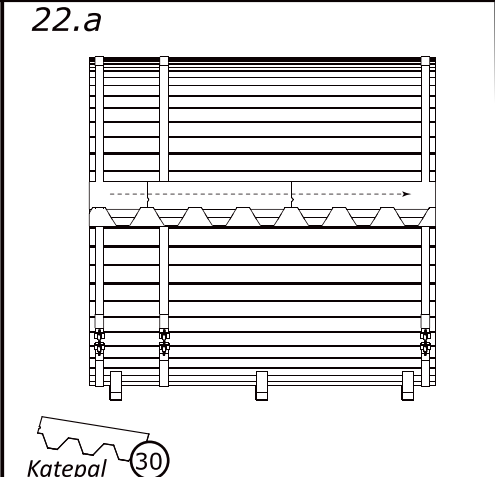
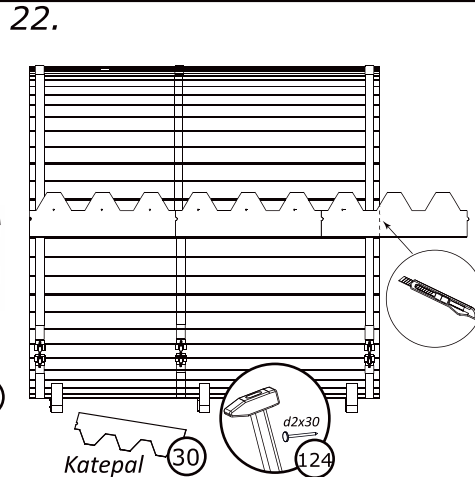
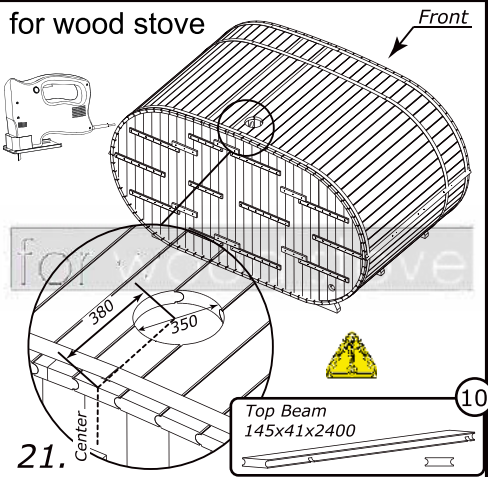
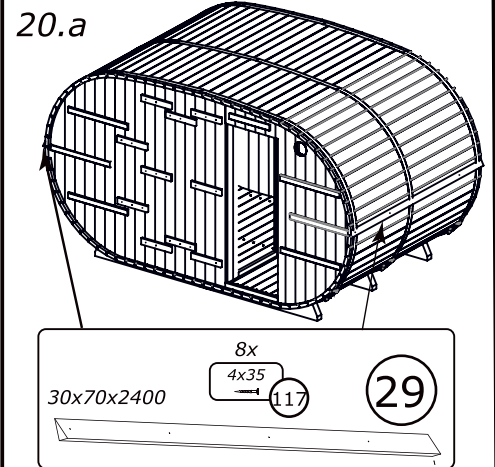
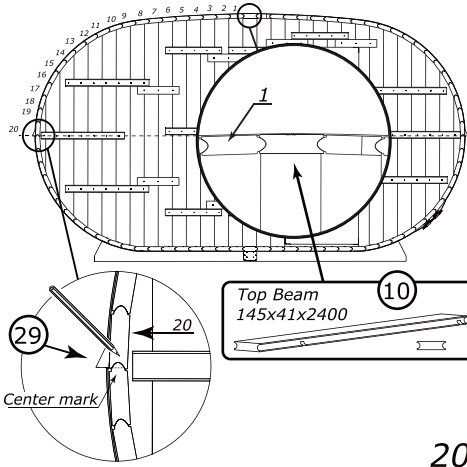
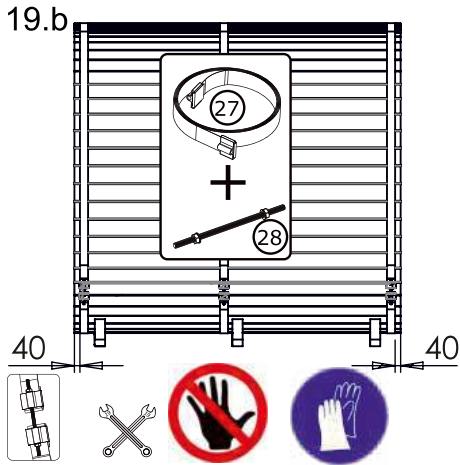
4.



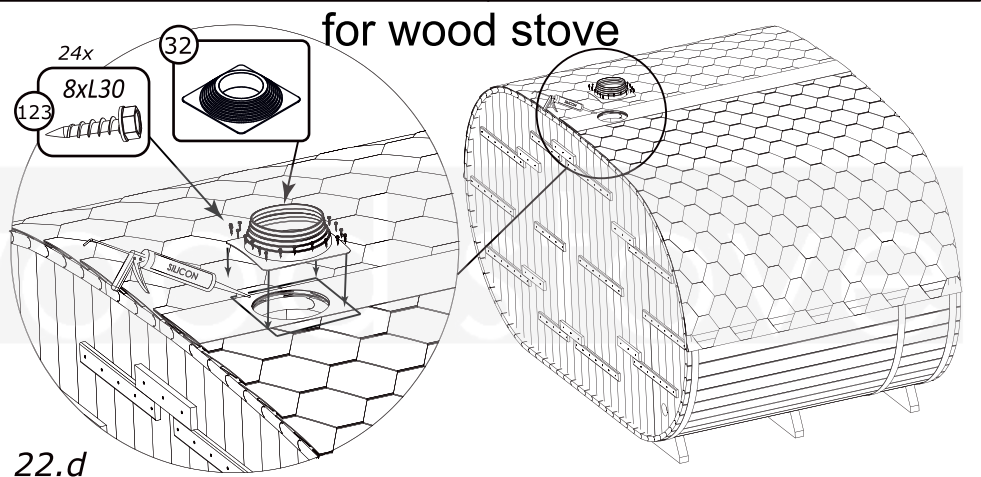


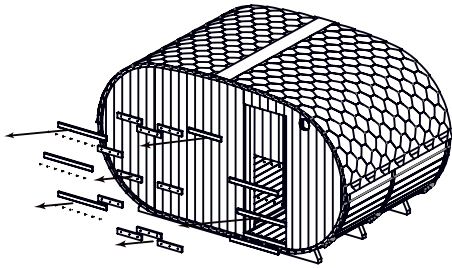
R1	52	53	54
R2	55	56	57
R3	58	59	60-1
R4	60-2	61	62
R5	63	64	65-1
R6	65-2	66	67
R7	68	69	70-1
R8	70-2	71	72
R9	73	74	75-1
R10	75-2	76	77
R11	78	79	80-1
R12	80-2	81	82
R13	83	84	85-1
R14	85-2	86	87
R15	88	89	90-1
R16	90-2	91	92
R17	93	94	95-1
R18	95-2	96	97
R19	98	99	100-1
R20	100-2	101	102
L20	49-2	50	51
L19	47	48	49-1
L18	44-2	45	46
L17	42	43	44-1
L16	39-2	40	41
L15	37	38	39-1
L14	34-2	35	36
L13	32	33	34-1
L12	29-2	30	31
L11	27	28	29-1
L10	24-2	25	26
L9	22	23	24-1
L8	19-2	20	21
L7	17	18	19-1
L6	14-2	15	16
L5	12	13	14-1
L4	9-2	10	11
L3	7	8	9-1
L2	4	5	6
L1	1	2	3



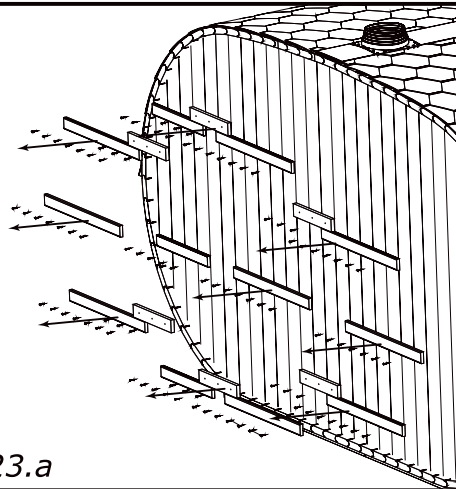


for wood stove

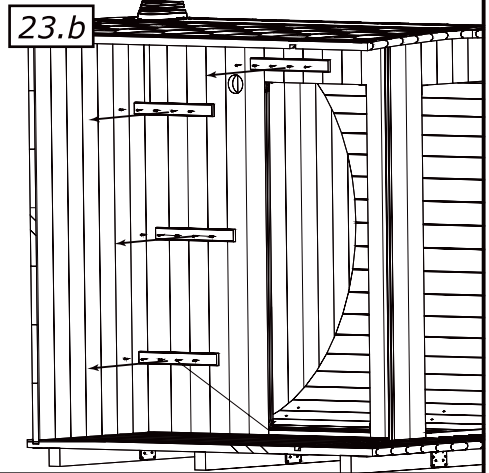




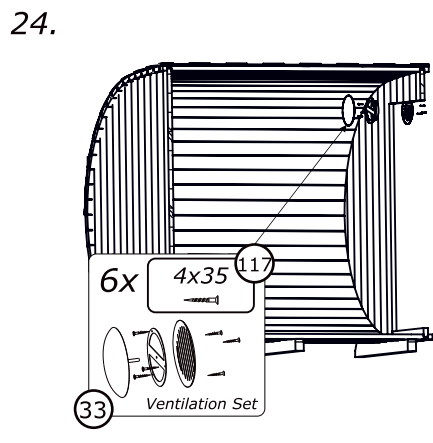
23.



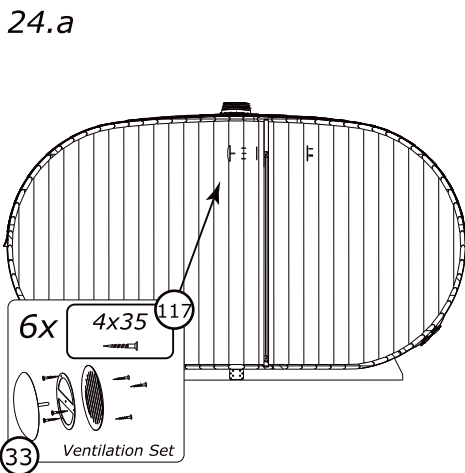
23.a



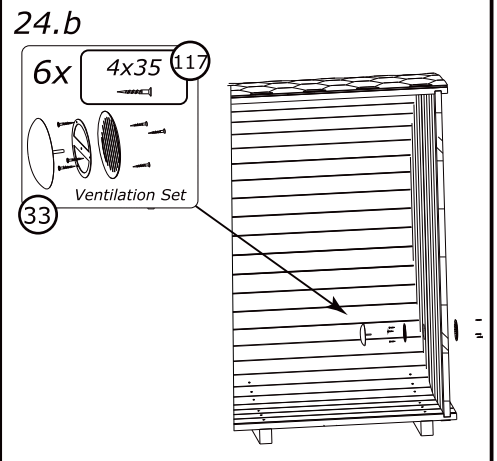
23.b



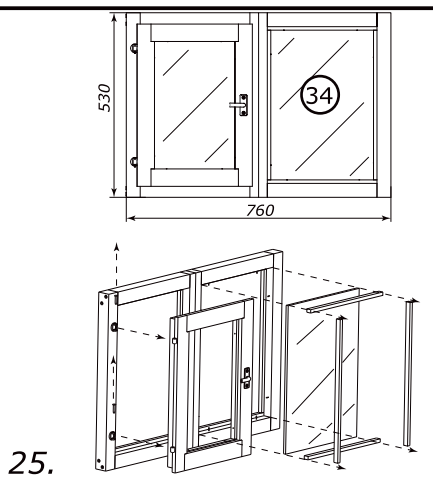
24.



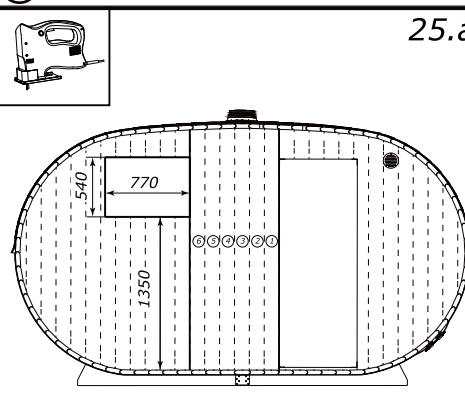
24.a



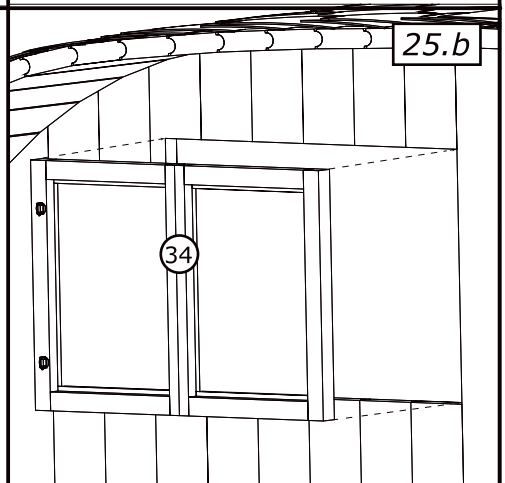
24.b



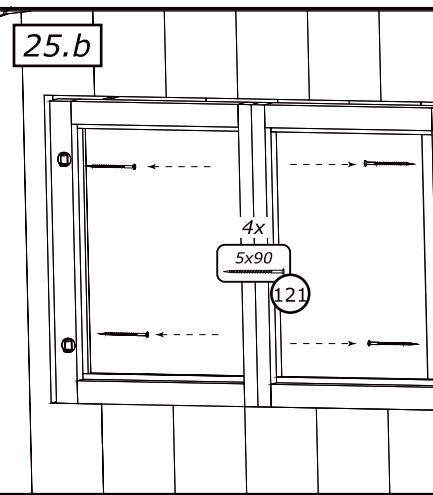
25.



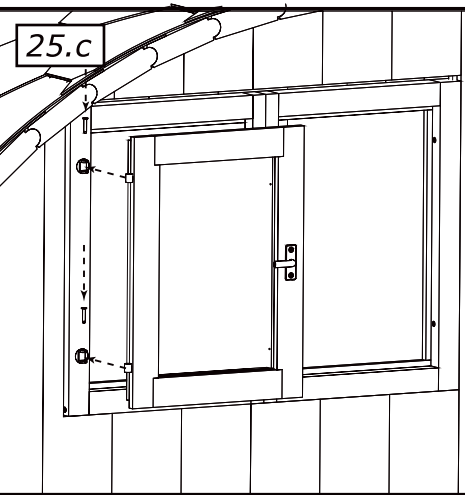
25.a



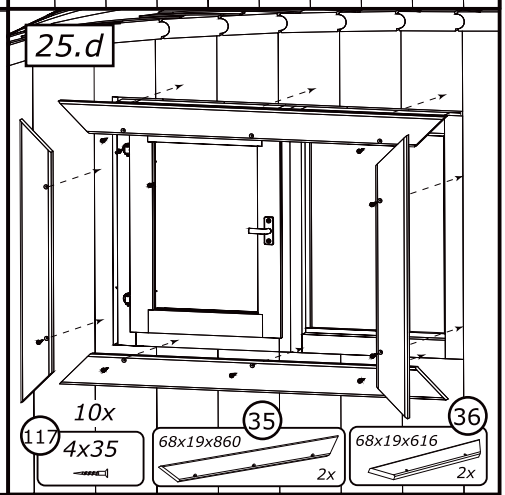
25.b



25.b



25.c



25.d

25.e

Montage Foam

25.f

25.g

10x 4x35
68x19x860 2x
68x19x616 2x

25.h

25.i

d1.4x30 122
8x

26.

75x19x1116 1x
75x19x800 2x
9x 4x35
117

26.a

75x19x1116 37
75x19x800 38
9x 4x35
117

26.b

75x19x800 38
75x19x1116 37
18x 4x35
117

Steam room seat assembly

27

27.a

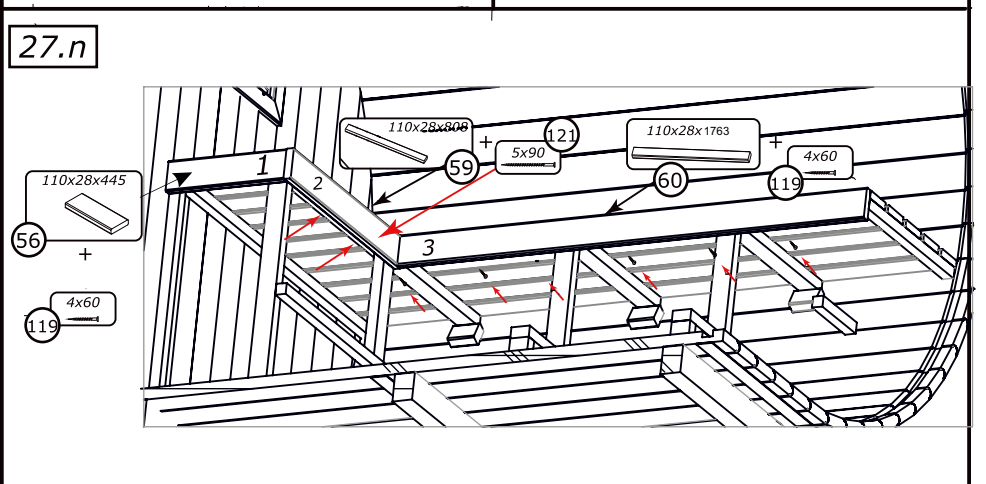
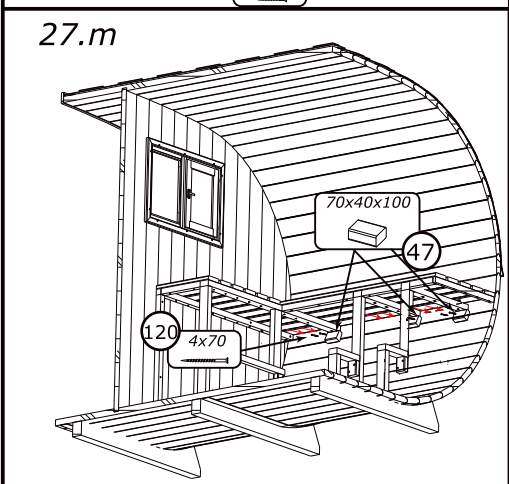
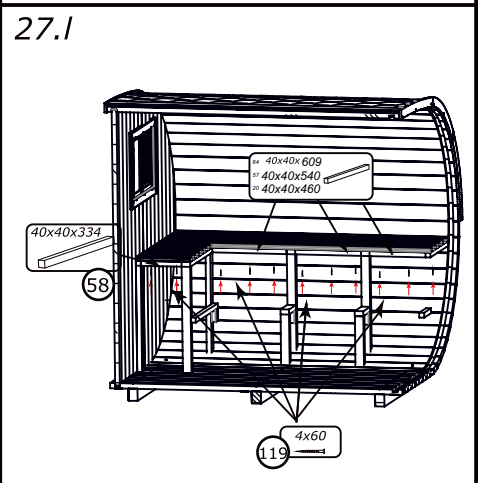
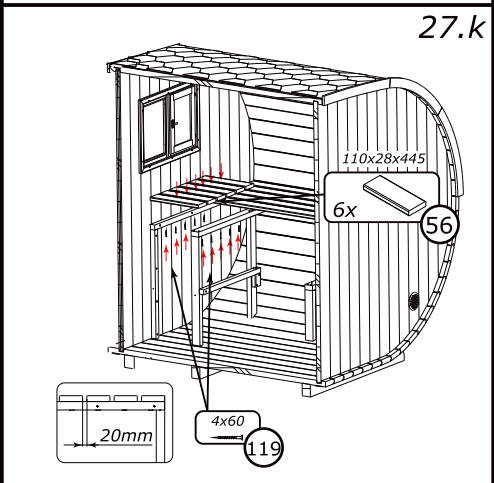
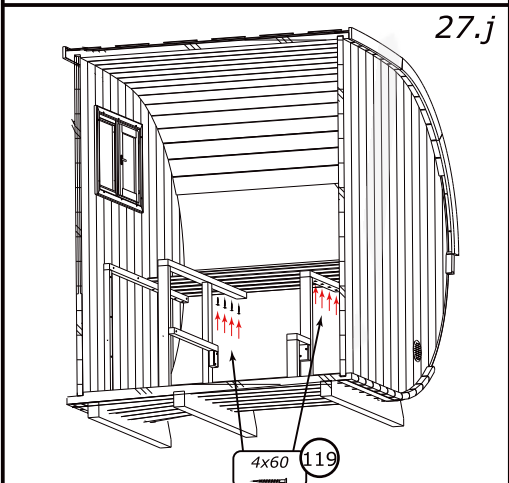
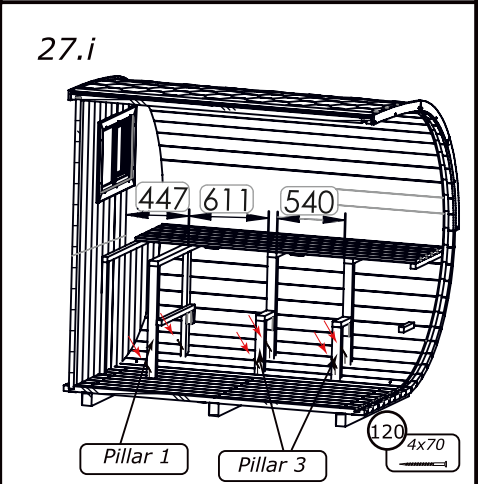
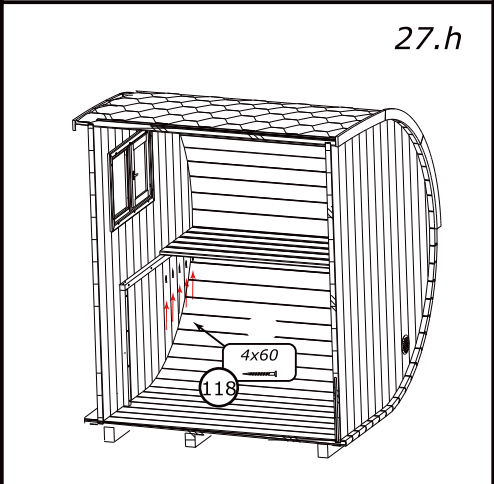
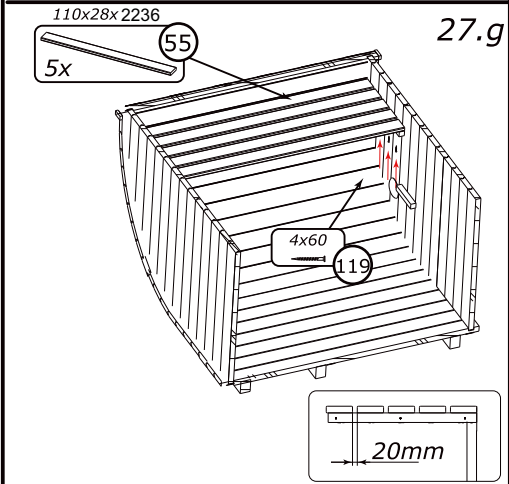
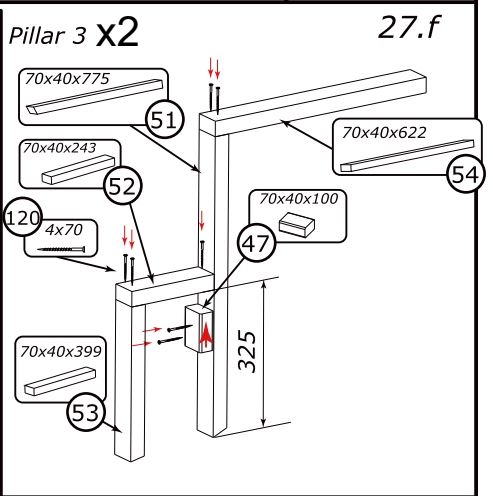
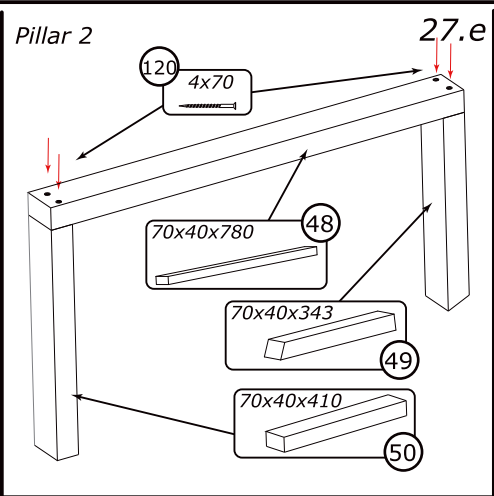
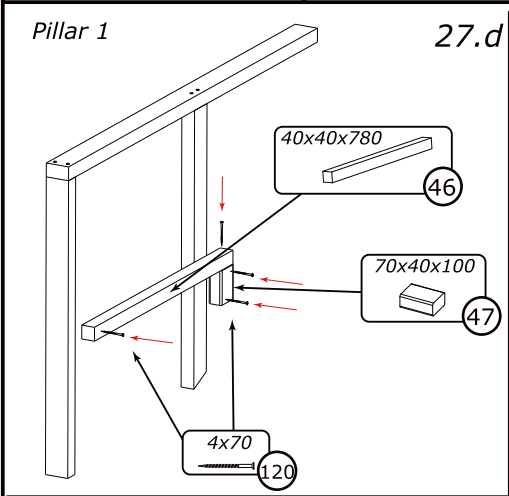
39
40x40x1402
4x70 120
40x40x860 40
900

27.b

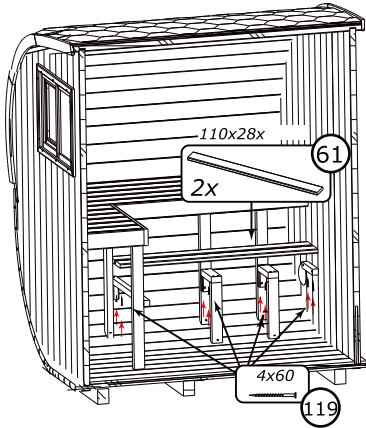
41
40x40x622
4x70 120
Align
40x40x243 42
450
900

Pillar 1 27.c

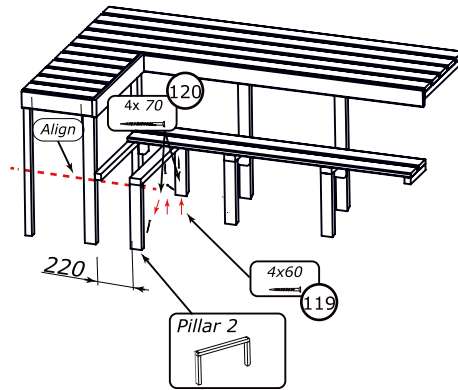
43
4x70 120
70x40x1402 44
70x40x860 43
70x40x806 45
45



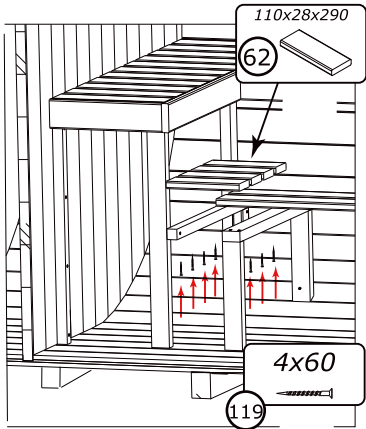
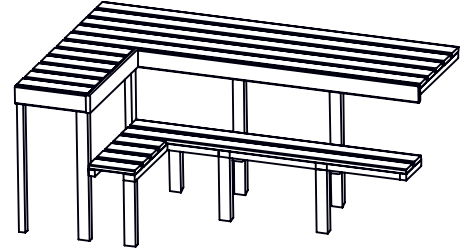
27.p



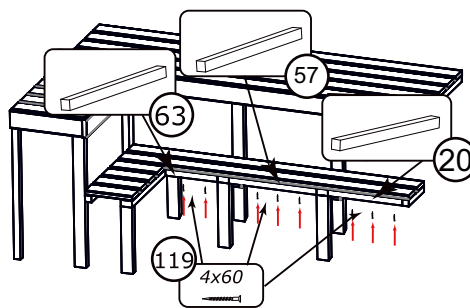
27.q



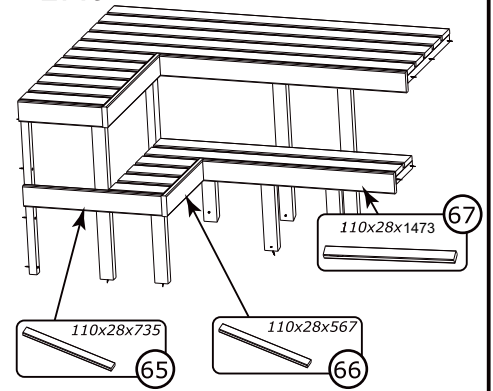
27.r



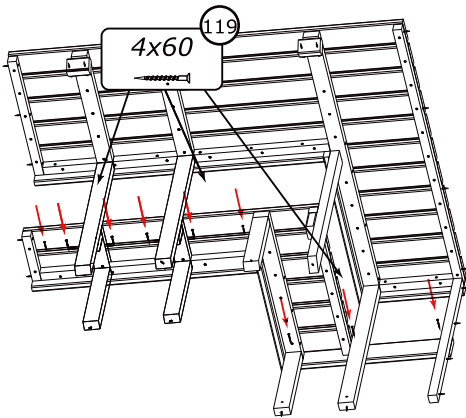
27.s



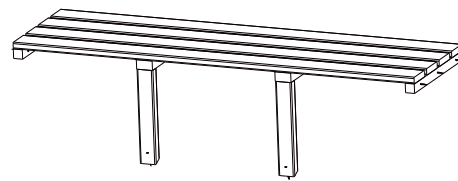
27.t



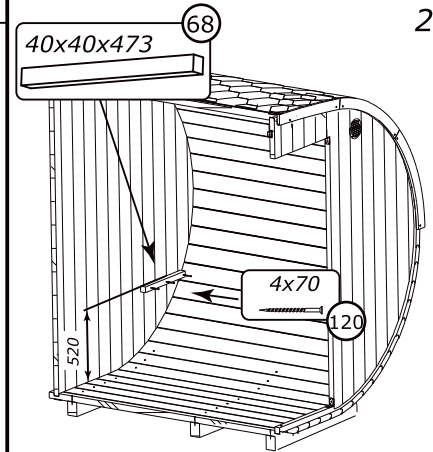
Dressing room seat assembly



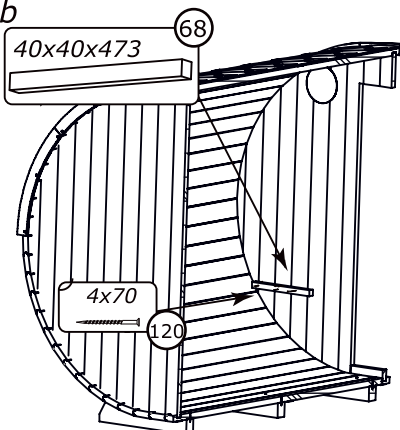
28



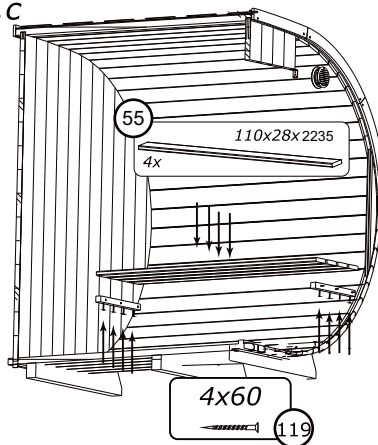
28.a



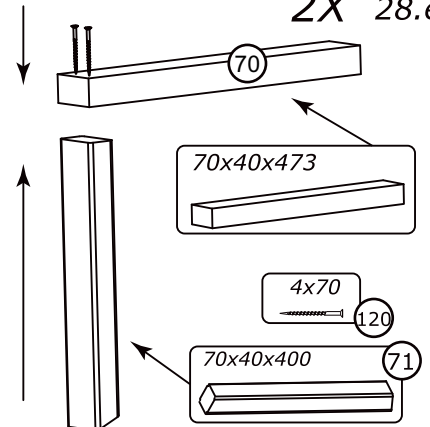
28.b

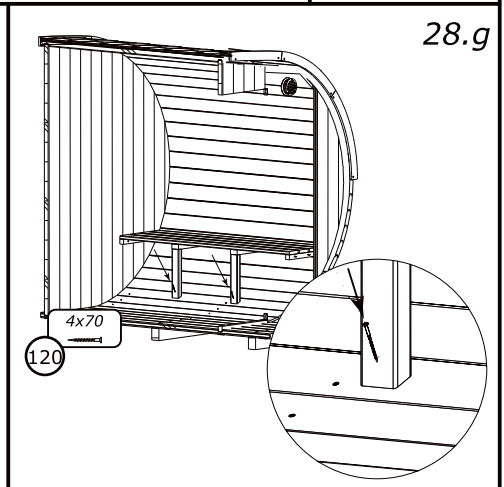
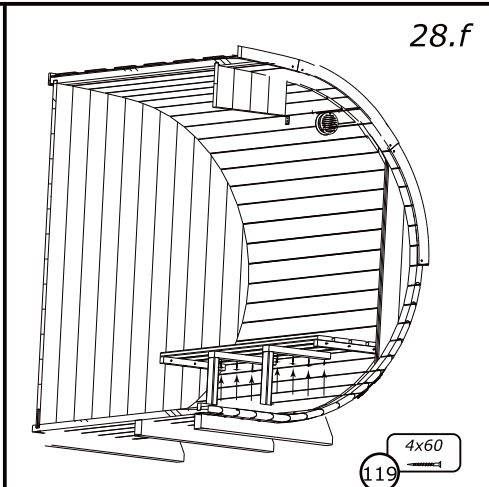
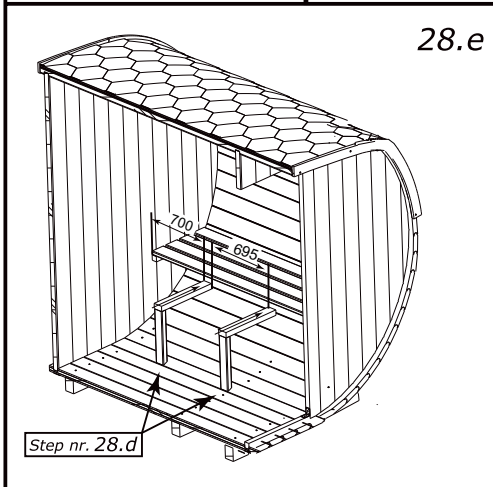


28.c

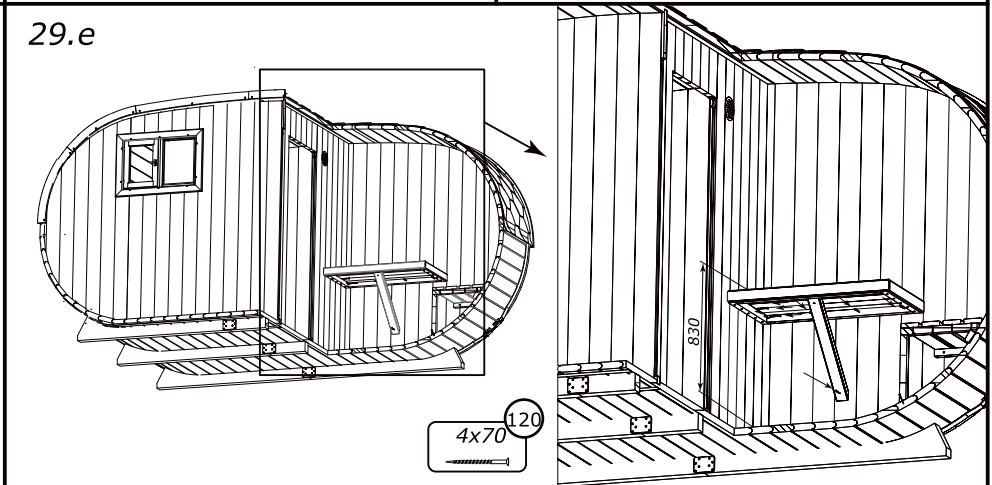
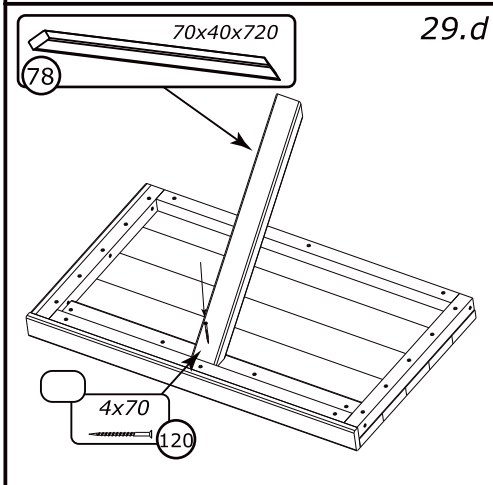
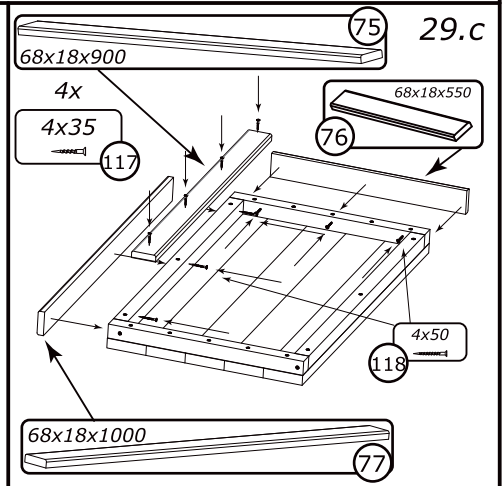
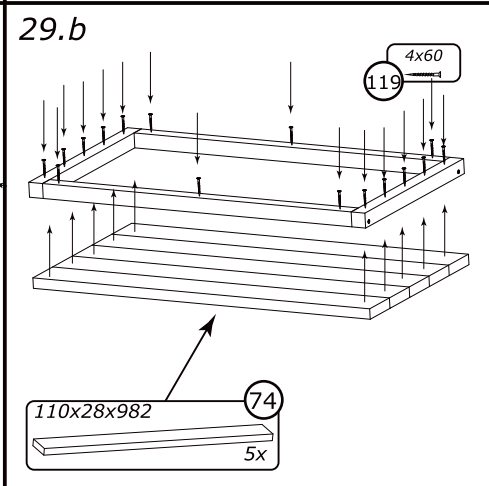
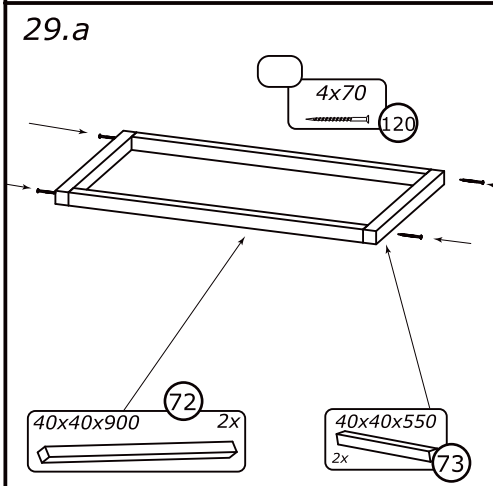
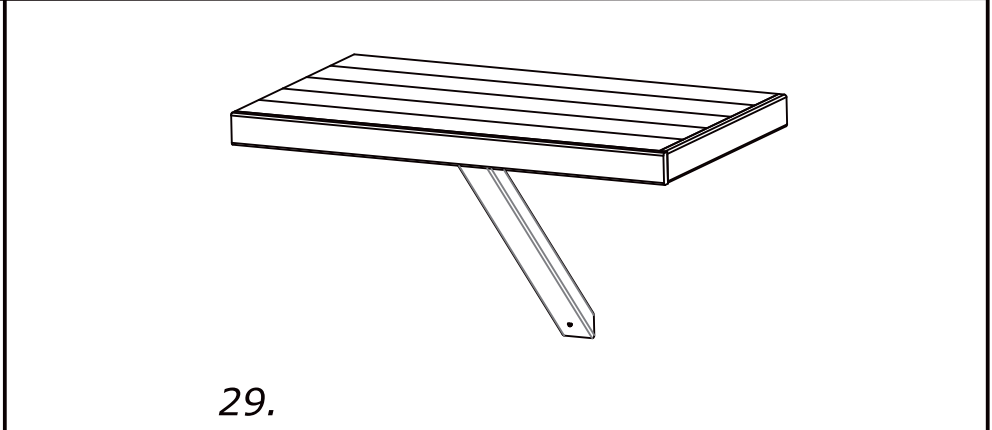
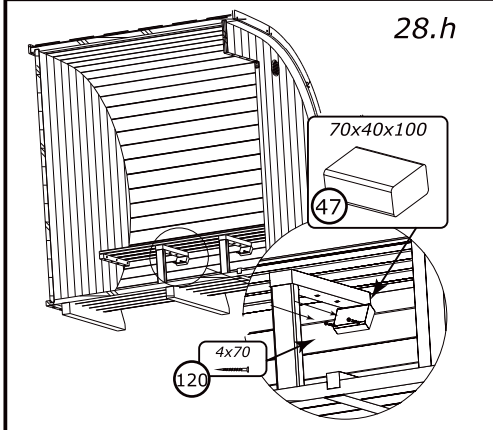


2X 28.e

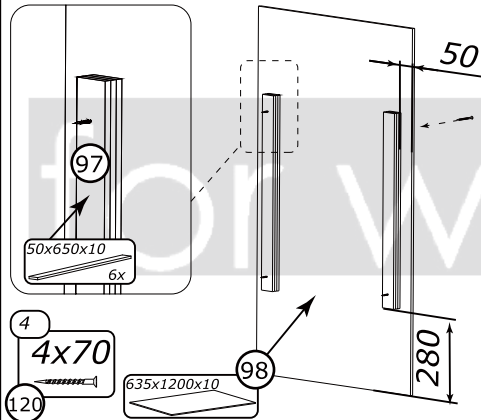




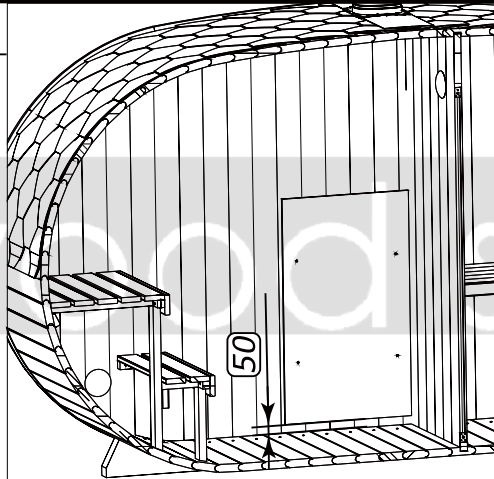
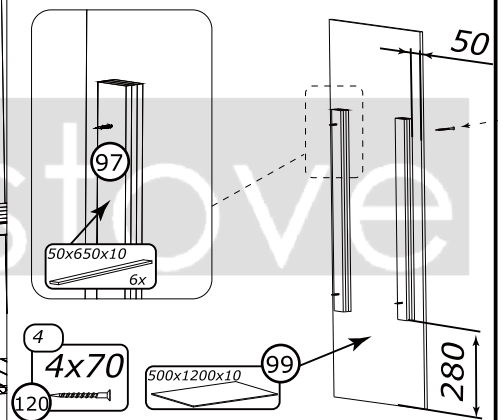
Dressing room table



31 Fireproof panel 1

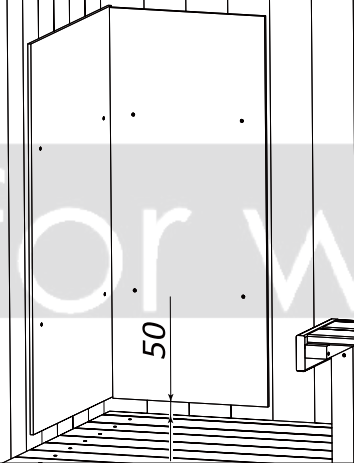


32 Fireproof panel 2

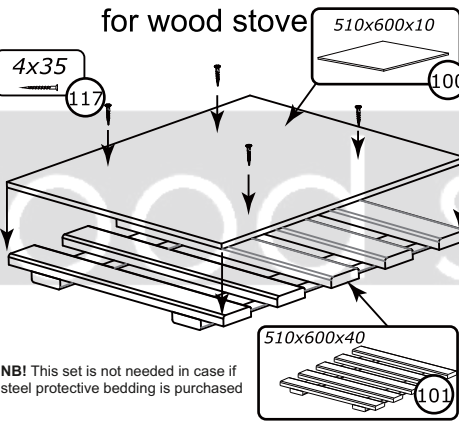


33

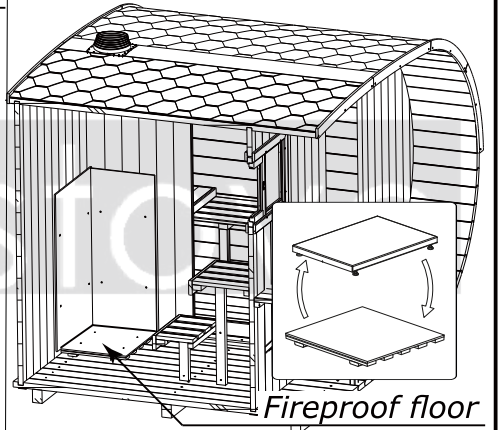
for wood stove



34 Fireproof floor

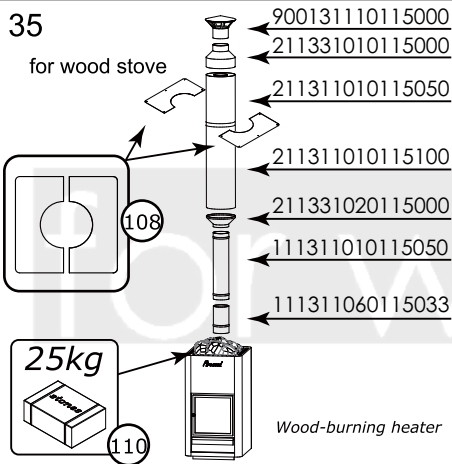


for wood stove

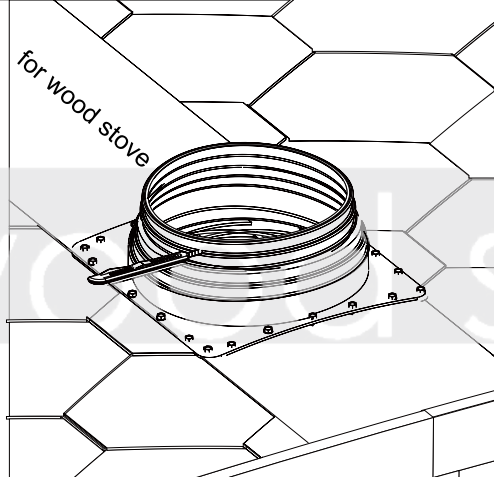


35

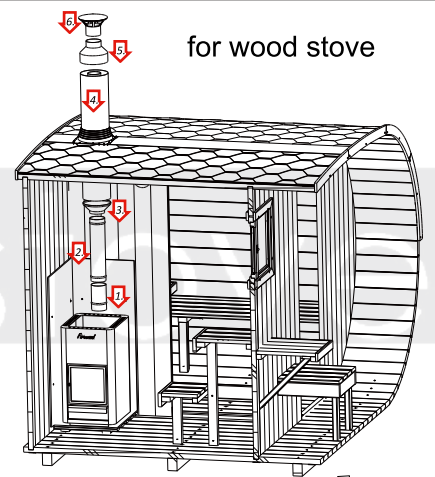
for wood stove



for wood stove



for wood stove



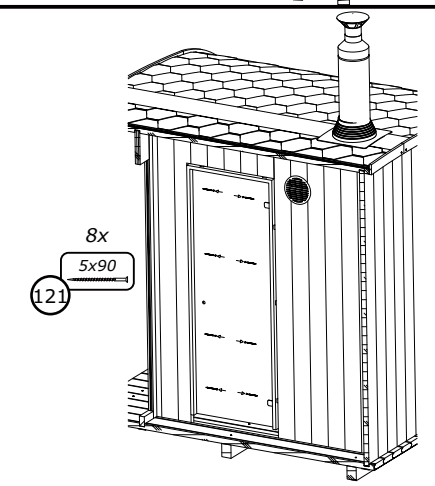
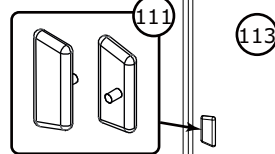
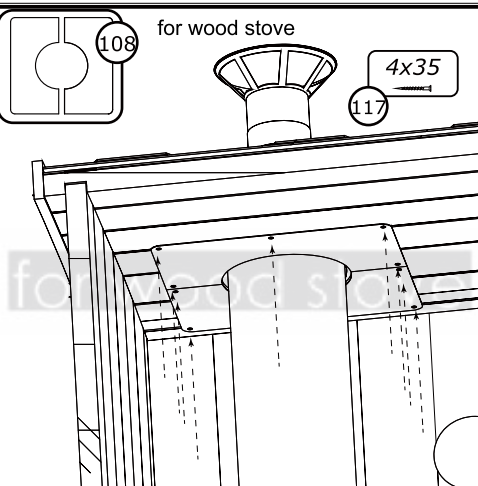
108

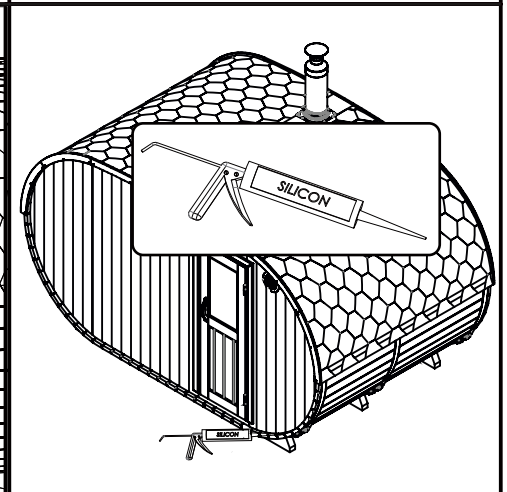
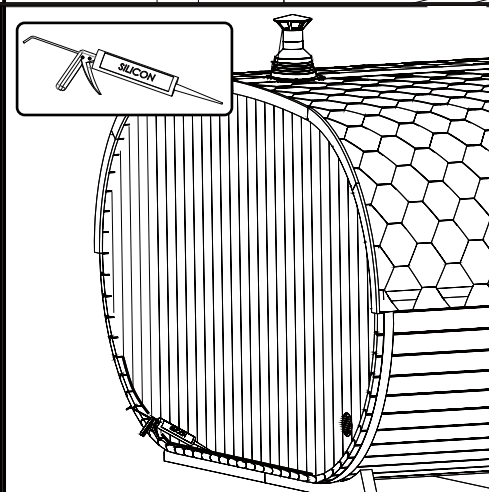
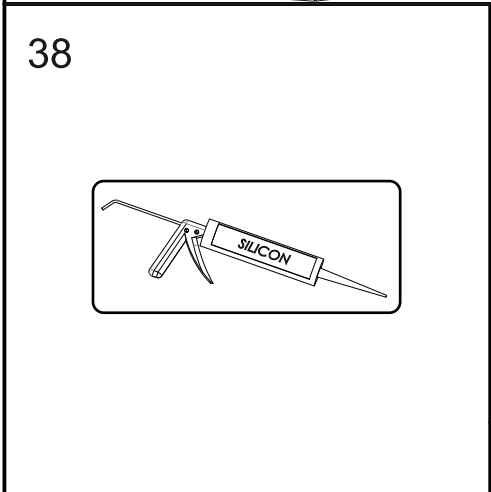
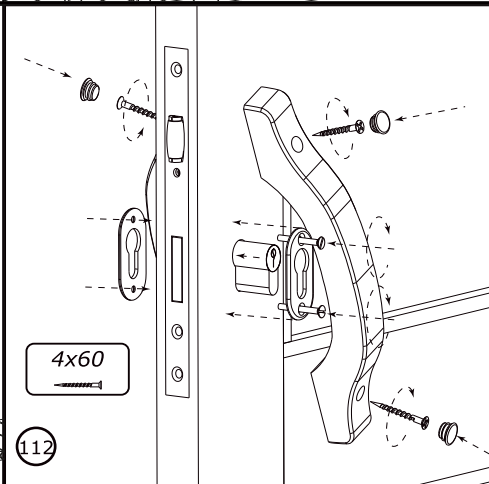
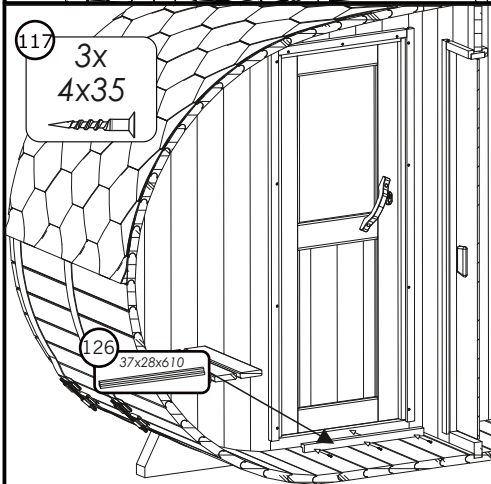
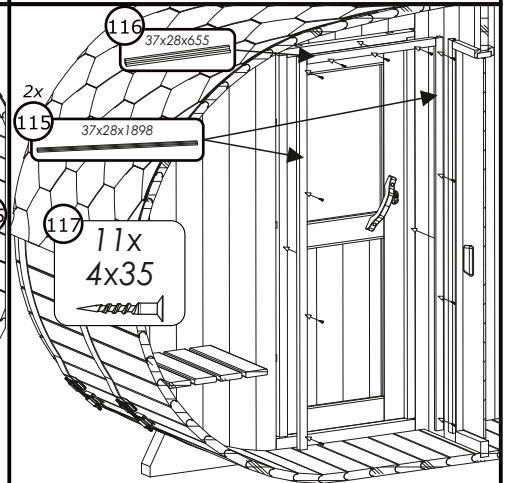
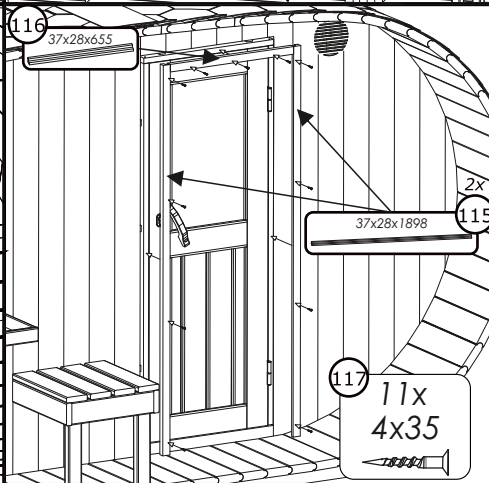
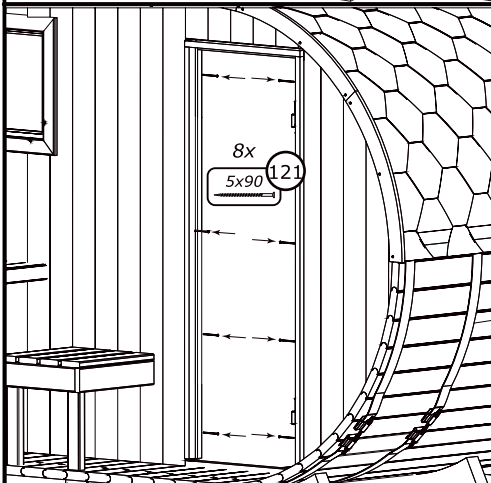
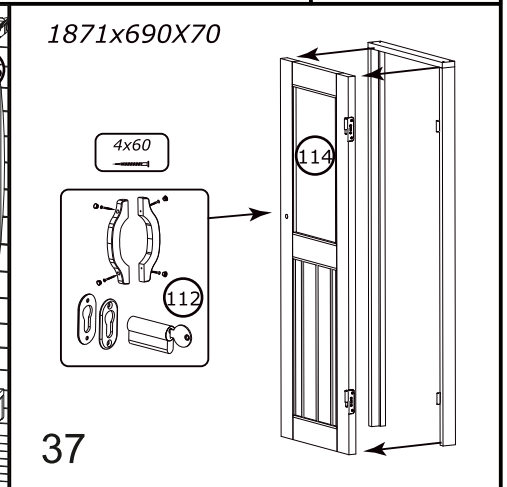
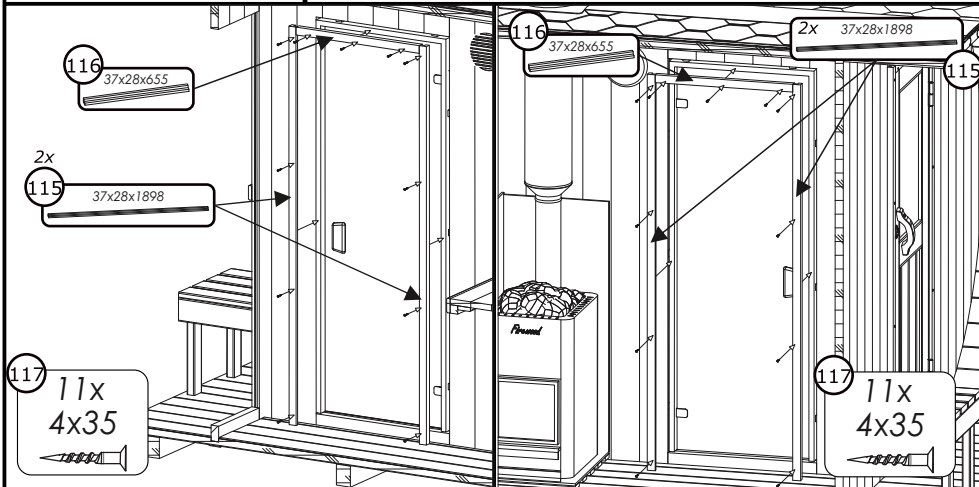
for wood stove

4x35

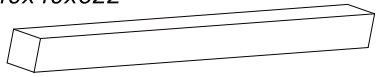

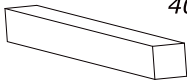

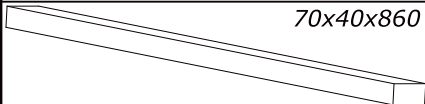
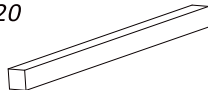
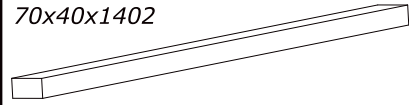
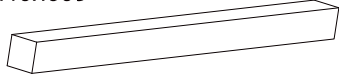
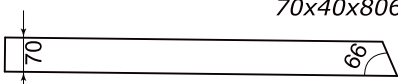

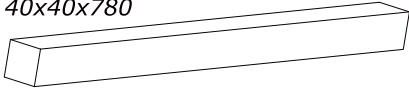

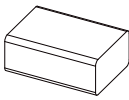

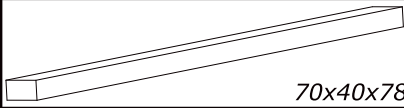

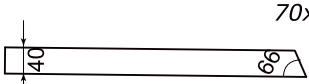

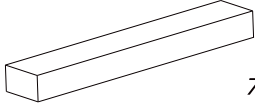
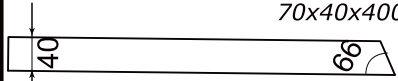
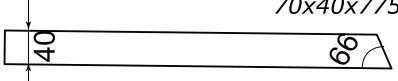
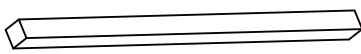
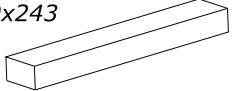

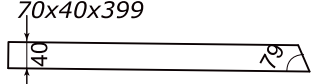

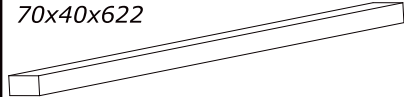



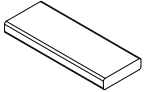



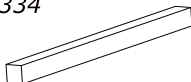
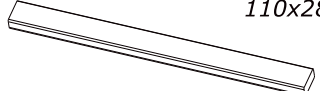

1871x690x70






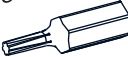
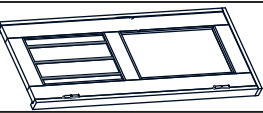




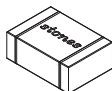
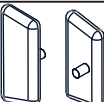

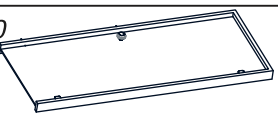

36







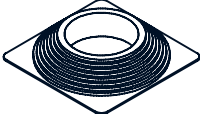




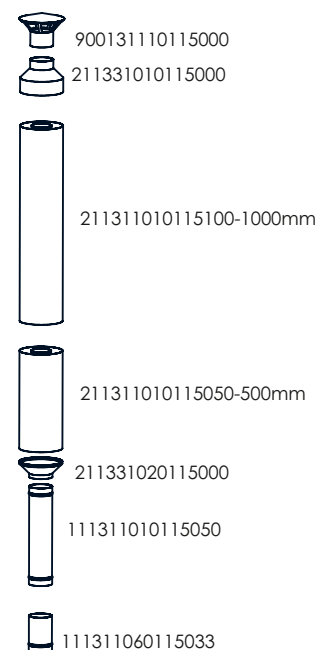


1	n270 75x200x1495	6	si407	21	1279x2220x58	1
2	n271 125x90x9	6	s291	22	340x2220x40	1
3	si400 145x41x2400	40	s292	23	683x255x58	1
4	si400 145x41x2400	36	s289	24	40x75x708	2
5	si401 145x41x2400	1	u113	25	50x50x35	8
6	si402 145x41x2400	1	352	26	75x22x400	12
7	si403 145x41x2400	1	353set	27	L10850	3
8	si404 100x41x2400	2	353set	28		3
9	si405 45x41x2400	2	u70	29	30x70x2400	2
10	si406 145x41x2400 Top Beam	1	30	30	1000x315 Katepal	104
11	s280	1	31	31	Asphalt L2400	1
12	s281	1	g125	33	Ventilation Set	3
13	s282	1	v112	34	760x530	1
14	s283	1	o354	35	68x19x860	4
15	s284	1	o348	36	68x19x616	4
16	s285	1	o349	37	75x19x1116	4
17	s286	1	350	38	75x19x800	8
18	s287	1	351	39	40x40x1402	1
19	s288	1	si293	40	40x40x860	1
20	s408	2	si294	40		1

41 si295	40x40x622 	1	61	110x28x1791 	2
42 si296	40x40x243 	1	62 si314	110x28x290 	4
43 si297	70x40x860 	1	63 si315	40x40x320 	1
44 si298	70x40x1402 	1	64 si316	40x40x609 	1
45 si299	70x40x806 	1	65 si317	110x28x735 	1
46 si300	40x40x780 	1	66 si318	110x28x567 	1
47 ks87	70x40x100 	8	67 si319	110x28x1473 	1
48 si301	70x40x780 	1	68 si320	40x40x473 	2
49 si302	70x40x343 	1	70 si322	70x40x473 	2
50 si303	70x40x410 	1	71 si323	70x40x400 	2
51 si304	70x40x775 	2	72 st324	40x40x900 	2
52 si305	70x40x243 	2	73 st325	40x40x550 	2
53 si306	70x40x399 	2	74 st326	110x28x982 	5
54 si307	70x40x622 	2	75 st327	68x18x900 	1
55 si409	110x28x2236 	9	76 st328	68x18x550 	1
56 si309	110x28x445 	7	77 st329	68x18x1000 	1
57 si410	40x40x540 	2	78 st330	70x40x720 	1
58 si310	40x40x334 	1			
59 si311	110x28x808 	1			
60 si411	110x28x1763 	1			

Nr	Preview Size	Qty
(119)	4x60 	130 pcs / 400 gramms
(120)	4x70 	150 pcs / 525 gramms
(121)	5x90 	40 pcs / 290 gramms
(122)	1.4x30 	10
(124)	2xL30 	470 pcs / 675 gramms
(125)	T15, T20, T25 	1+1+1
(114) d118set	1870x690 	1
(115) d119-1	37x28x1898 	8
(116) d119	37x28x655 	4
(117)	4x35 	160
(118)	4x50 	10 pcs / gramms
(110)	400x285x150  Stones	1
(111) d117set		Set
(112) d118set		Set
(113) d117set	1870x690 	1
(126)	37x28x610 	1

Nr	Size	Qty	Preview
	1200x635	1	
	1200x500	1	
z124-1		1	
z124-2		12	
	4x35	24	
	4x60	6	
	8xL30	32	
g125		1	
	4x70	4	
(108) g125-2		2	



Wood-burning heater