

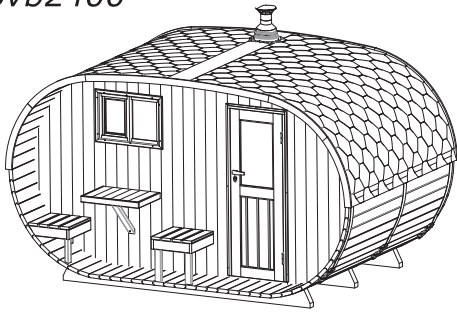
BALTRESTO

Ph: +372 588 02 620
email: info@baltresto.com
web: www.baltresto.com

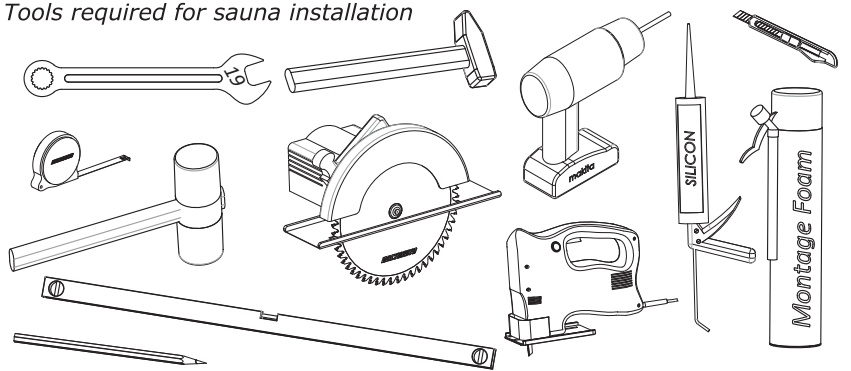
Assembly manual for Sauna

1

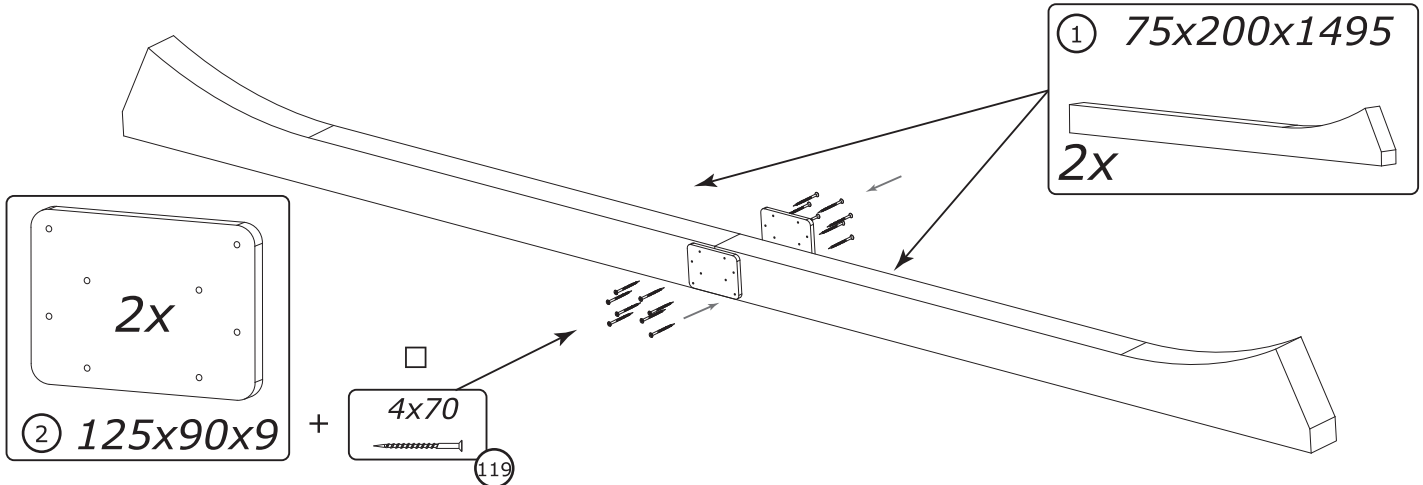
22ovb2400



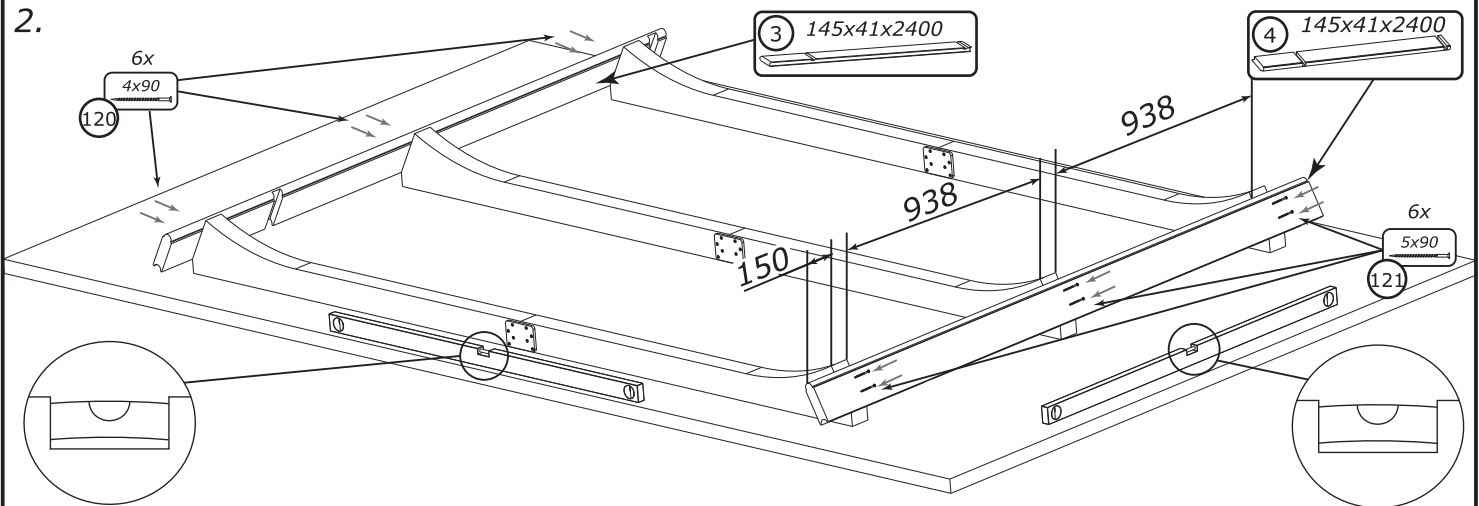
Tools required for sauna installation



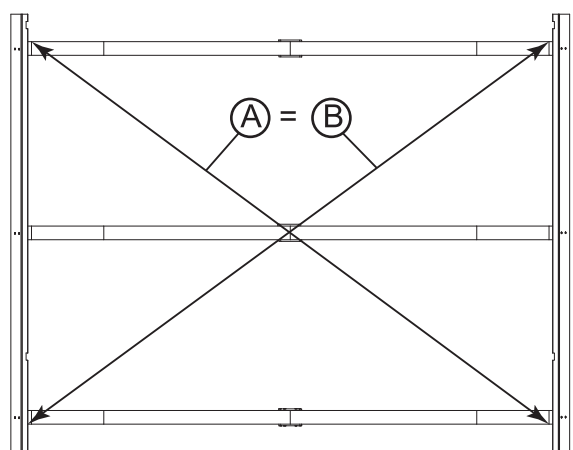
1.



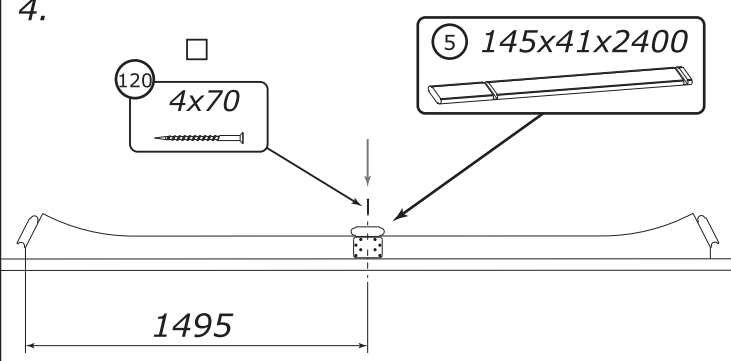
2.

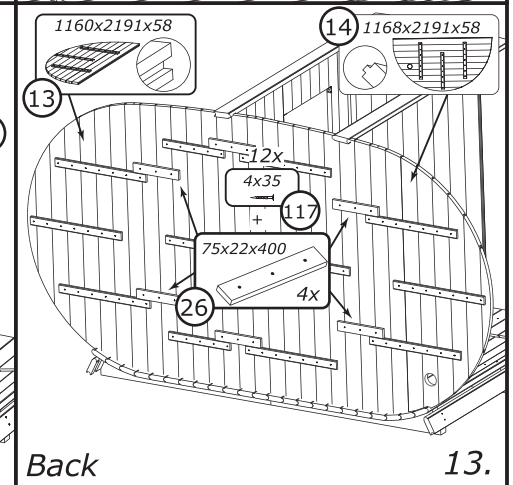
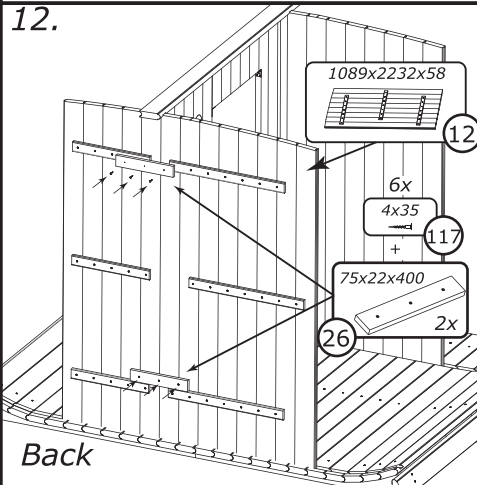
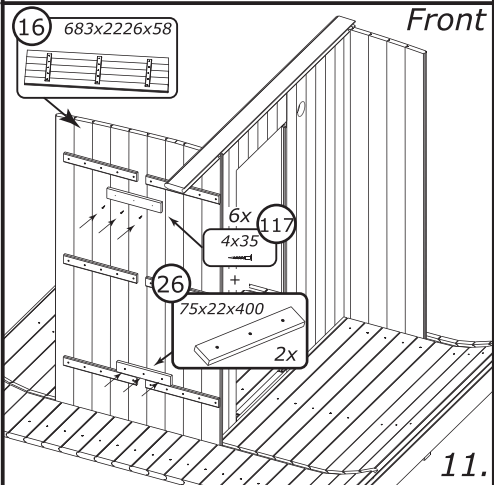
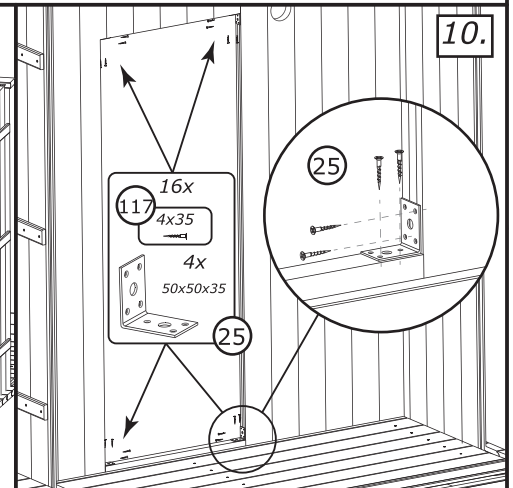
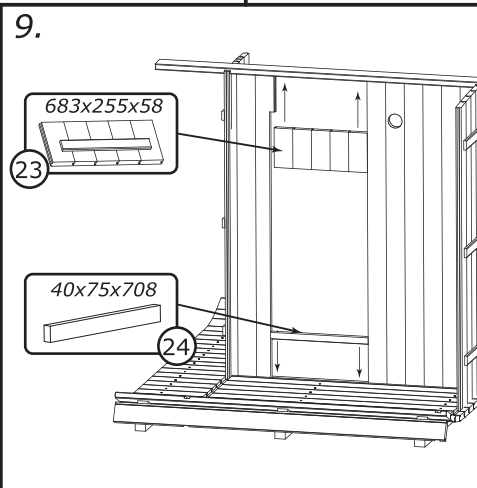
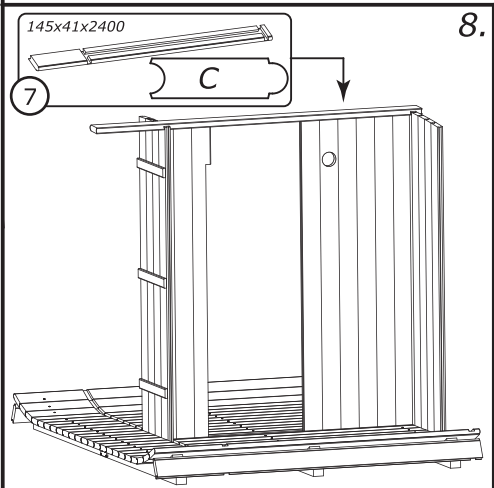
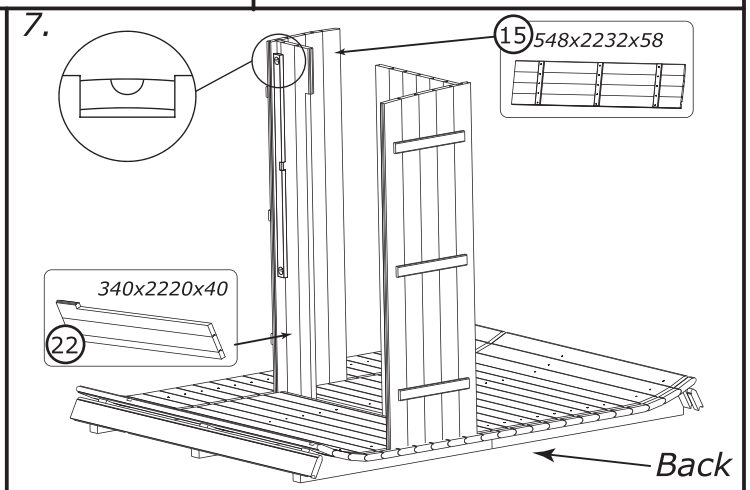
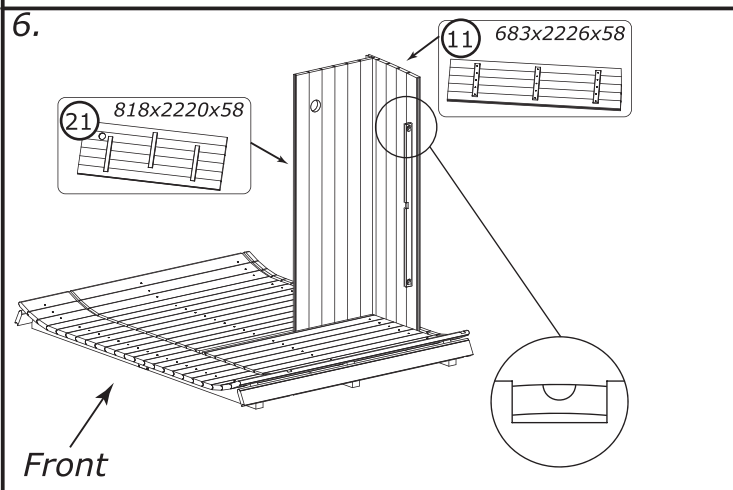
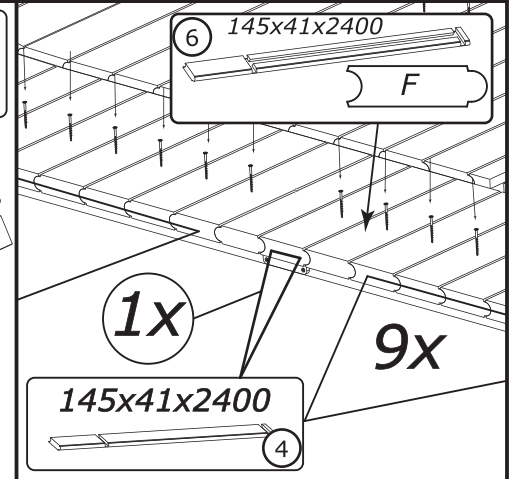
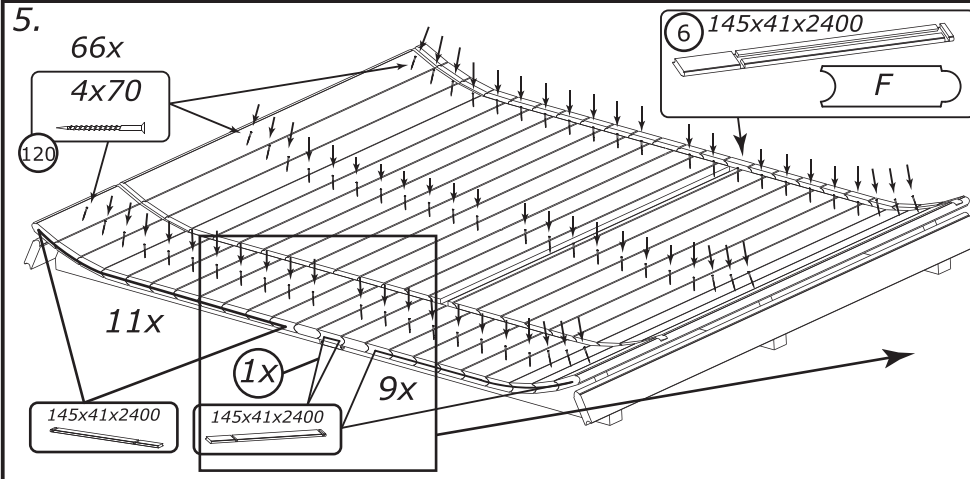


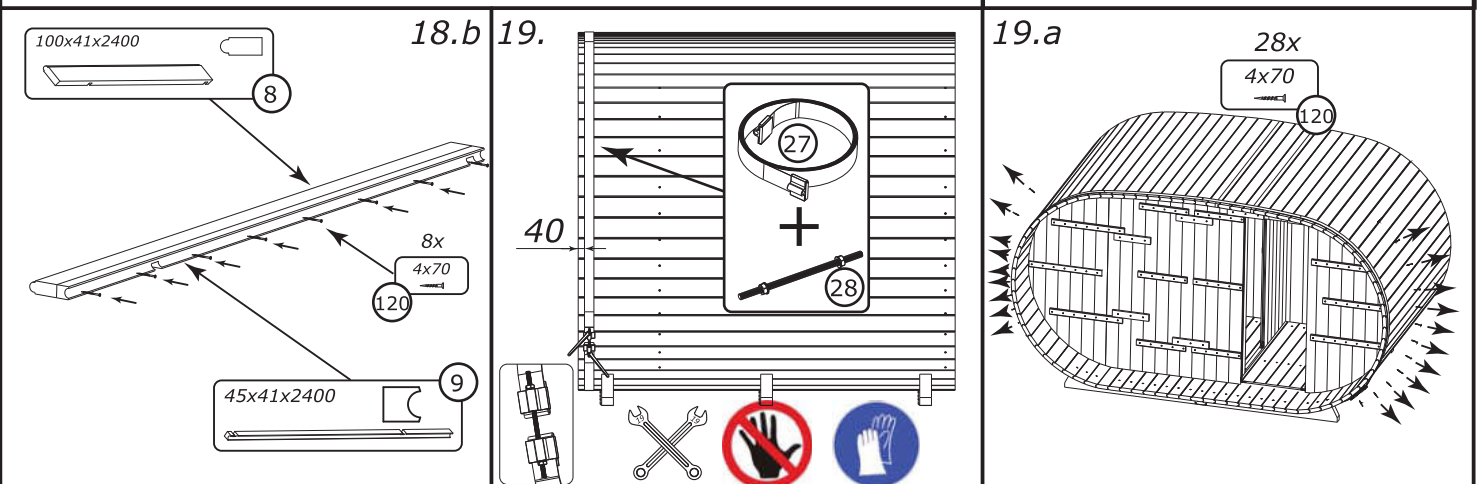
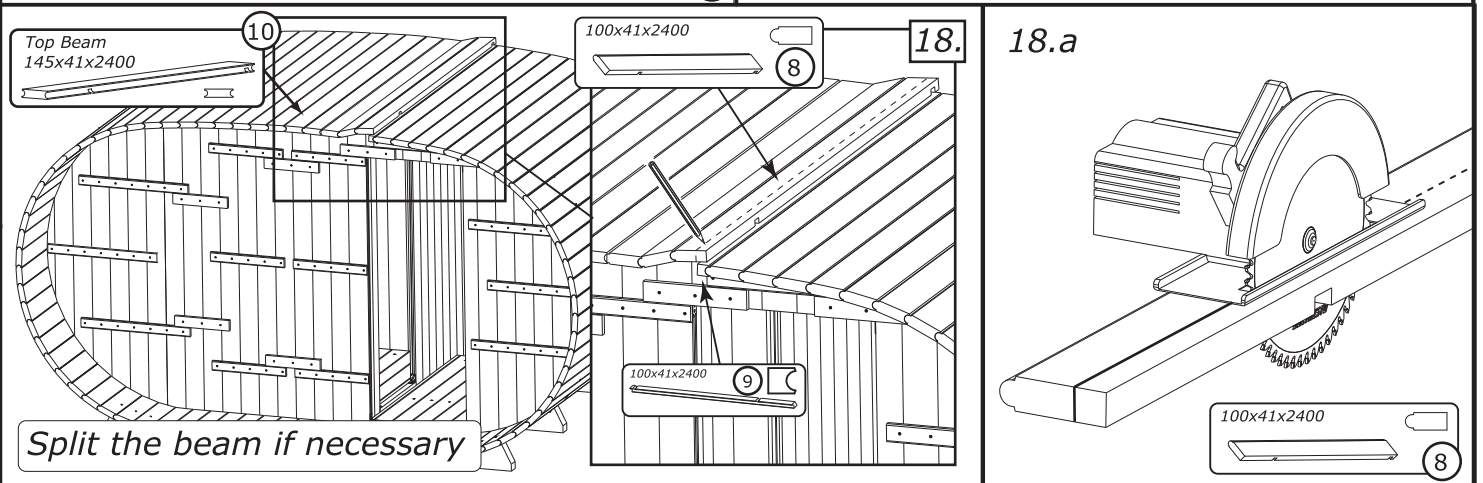
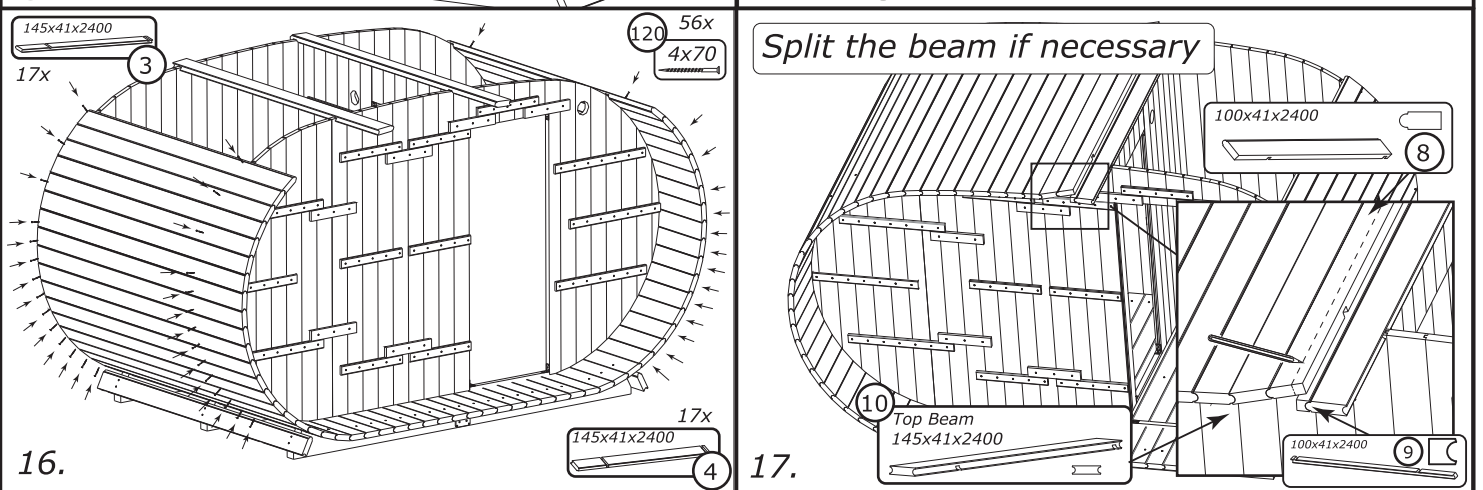
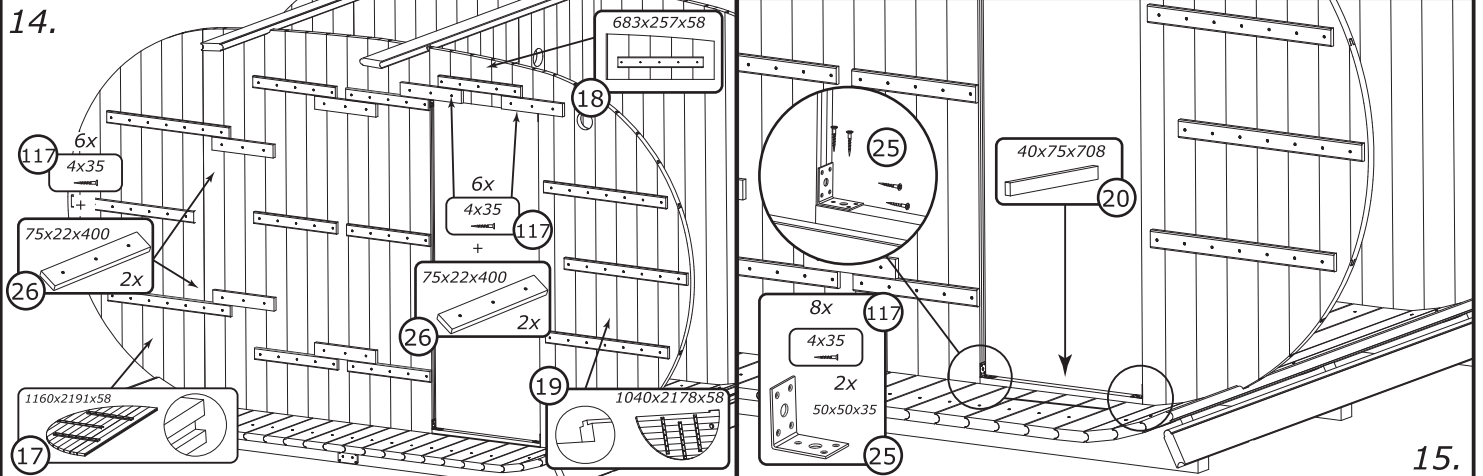
3.



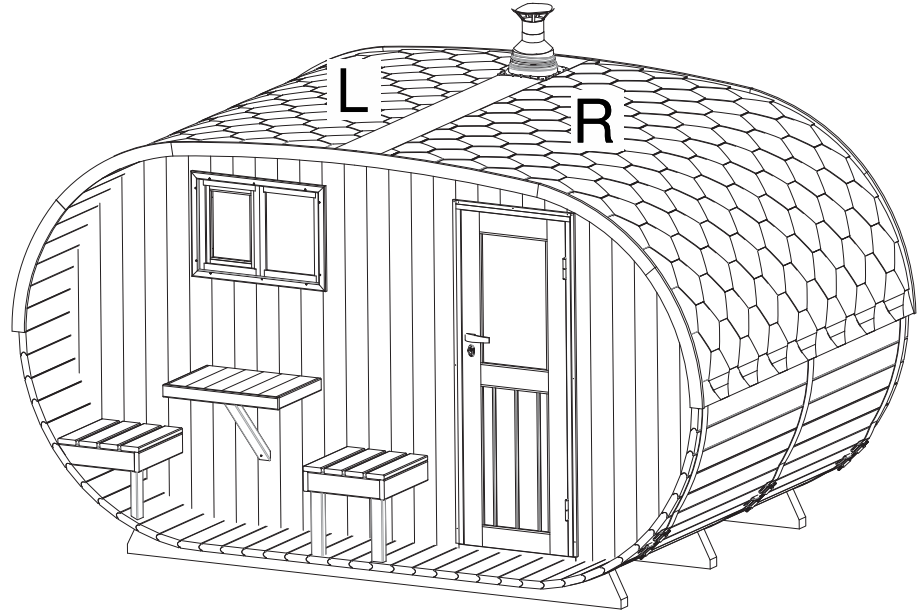
4.

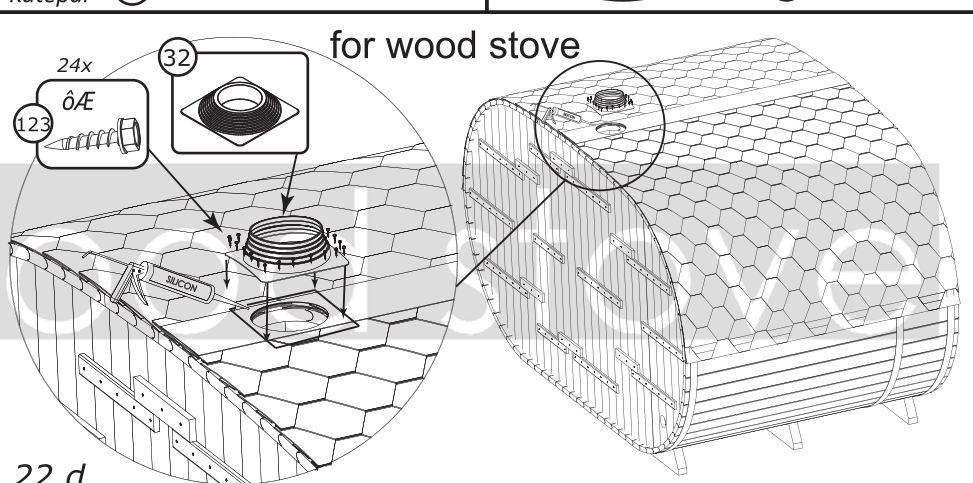
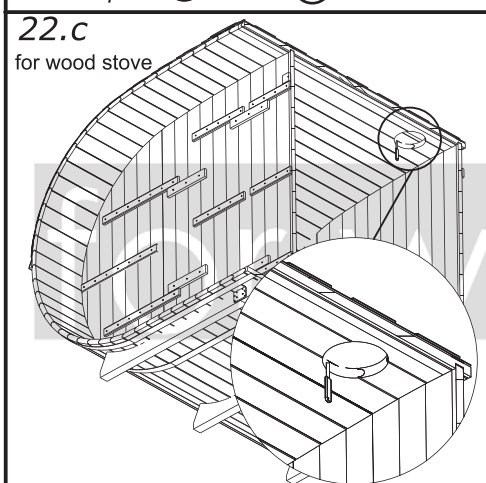
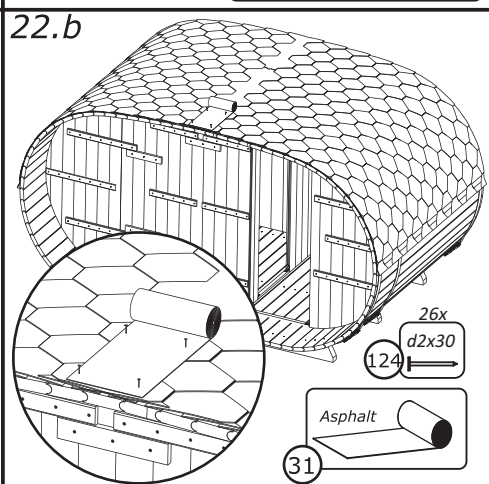
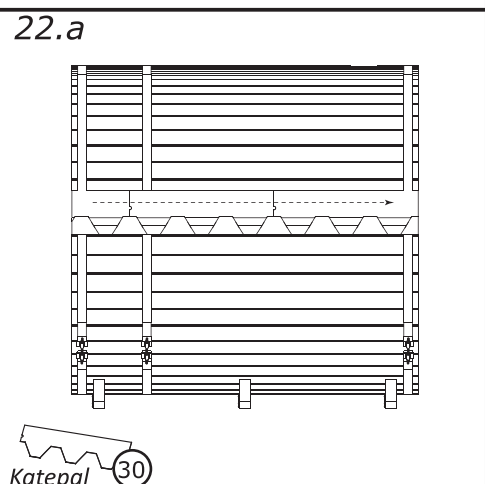
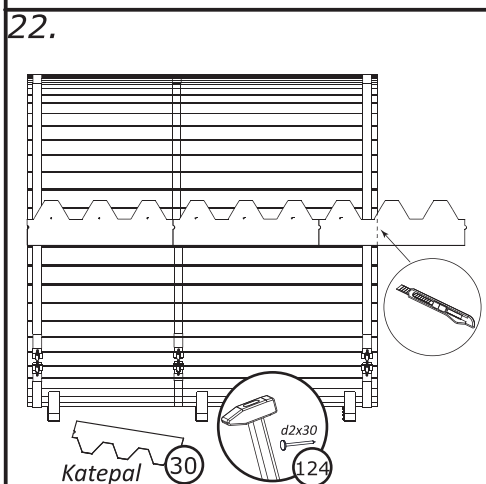
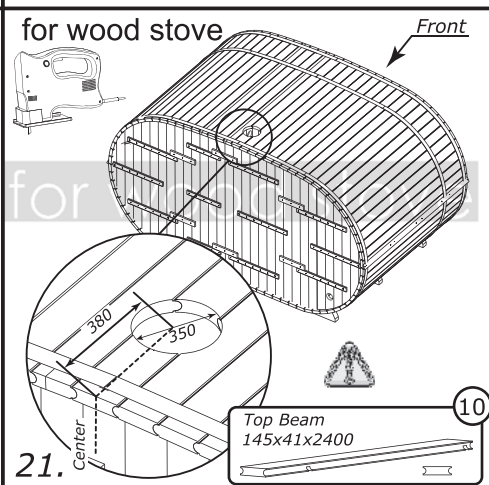
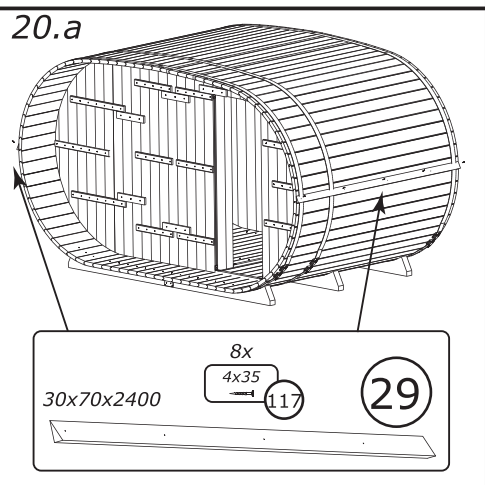
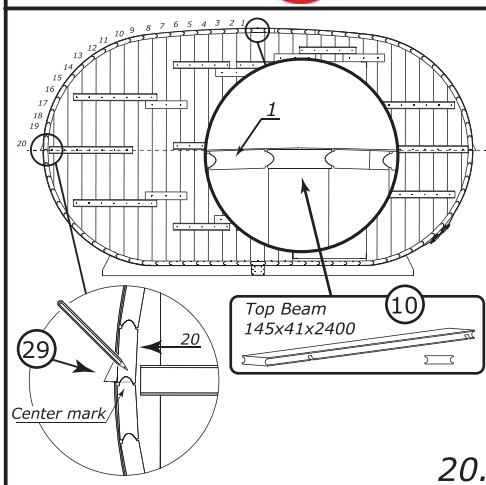
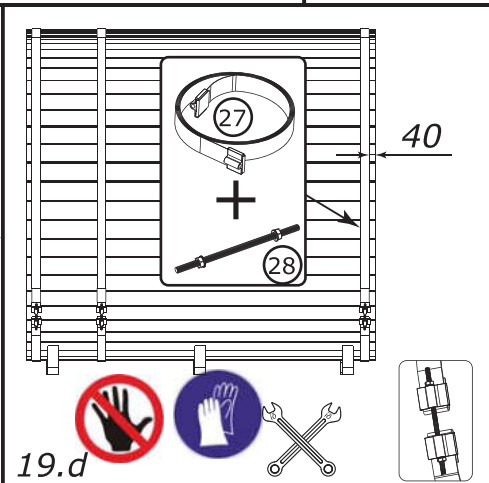
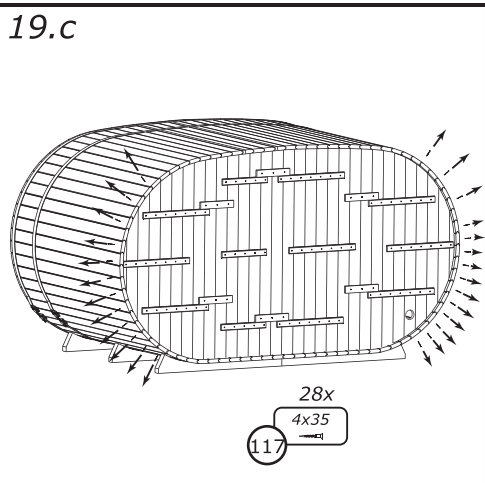
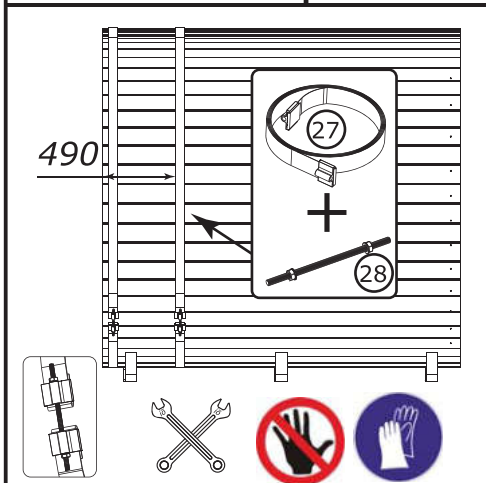


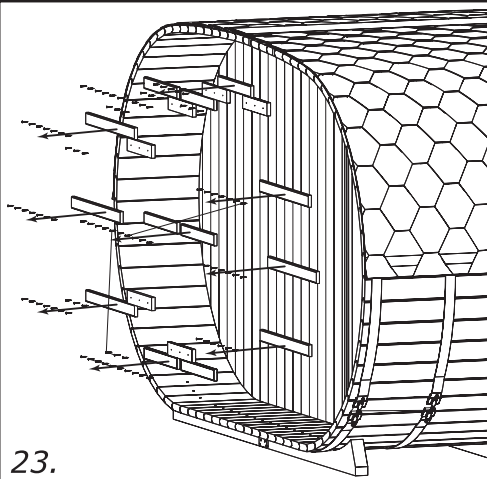




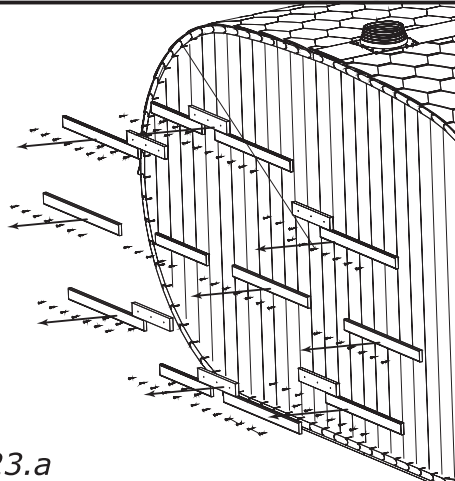
R1	52	53	54
R2	55	56	57
R3	58	59	60-1
R4	60-2	61	62
R5	63	64	65-1
R6	65-2	66	67
R7	68	69	70-1
R8	70-2	71	72
R9	73	74	75-1
R10	75-2	76	77
R11	78	79	80-1
R12	80-2	81	82
R13	83	84	85-1
R14	85-2	86	87
R15	88	89	90-1
R16	90-2	91	92
R17	93	94	95-1
R18	95-2	96	97
R19	98	99	100-1
R20	100-2	101	102
L20	49-2	50	51
L19	47	48	49-1
L18	44-2	45	46
L17	42	43	44-1
L16	39-2	40	41
L15	37	38	39-1
L14	34-2	35	36
L13	32	33	34-1
L12	29-2	30	31
L11	27	28	29-1
L10	24-2	25	26
L9	22	23	24-1
L8	19-2	20	21
L7	17	18	19-1
L6	14-2	15	16
L5	12	13	14-1
L4	9-2	10	11
L3	7	8	9-1
L2	4	5	6
L1	1	2	3



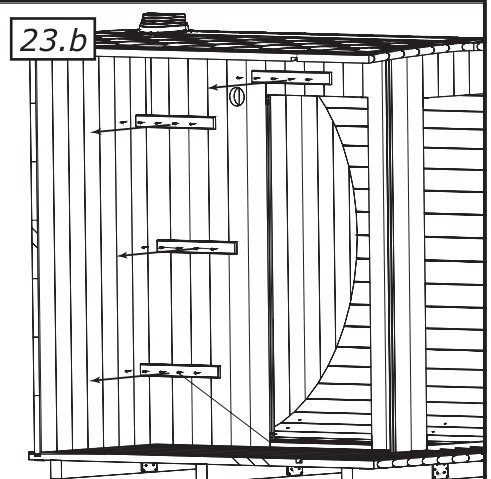




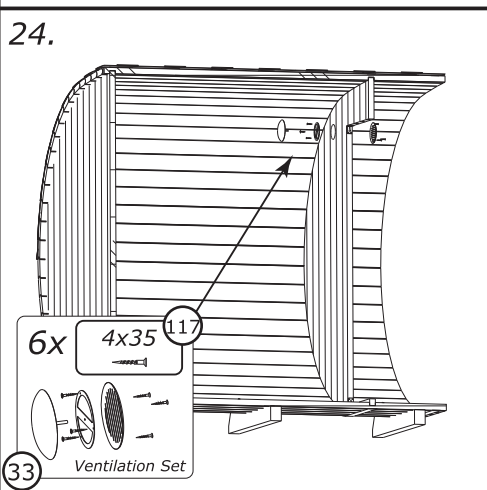
23.



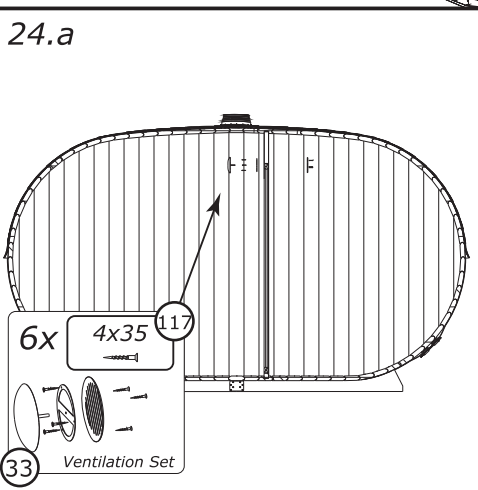
23.a



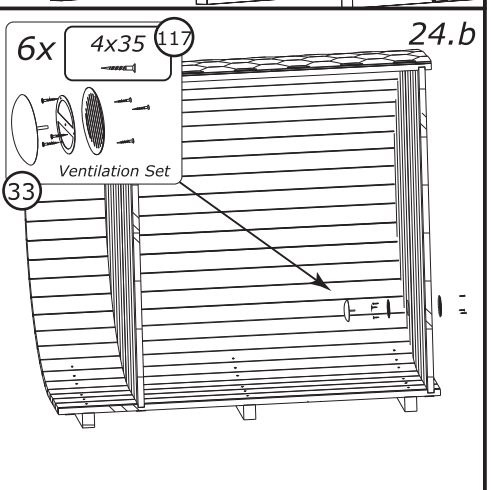
23.b



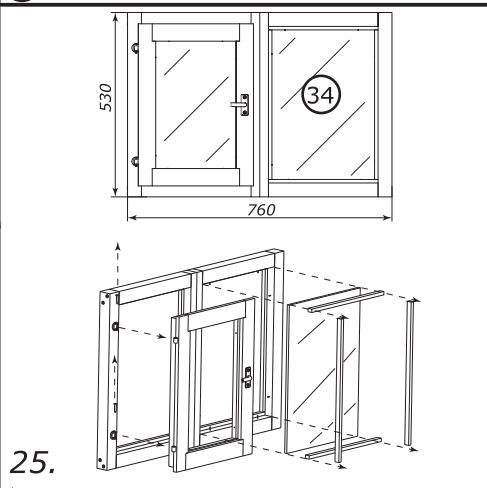
24.



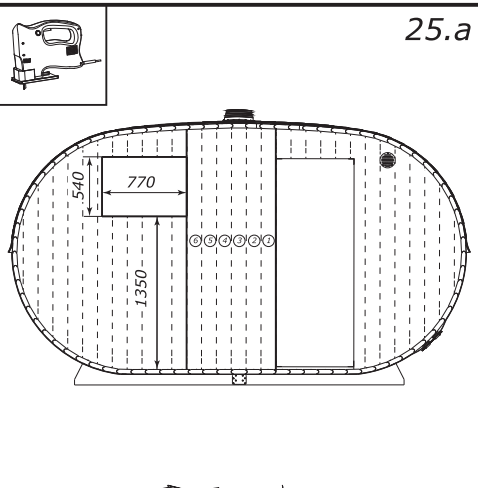
24.a



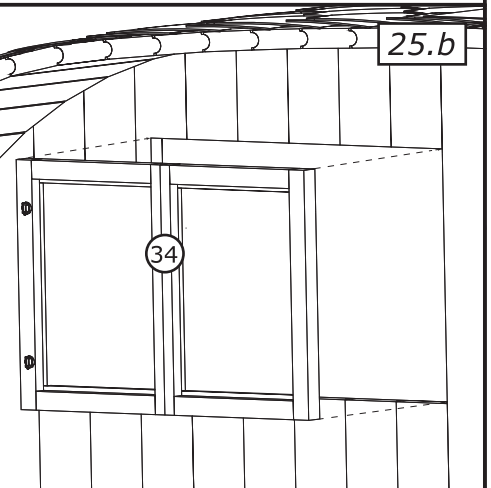
24.b



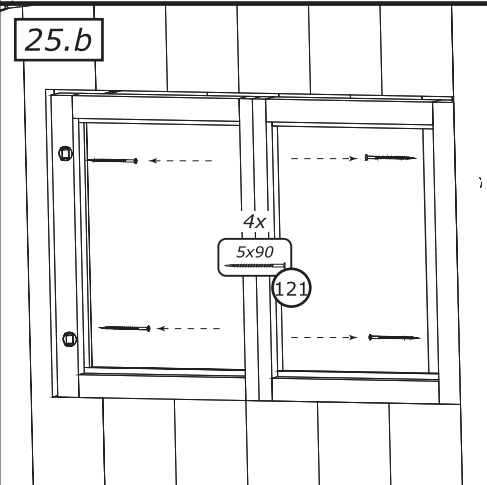
25.



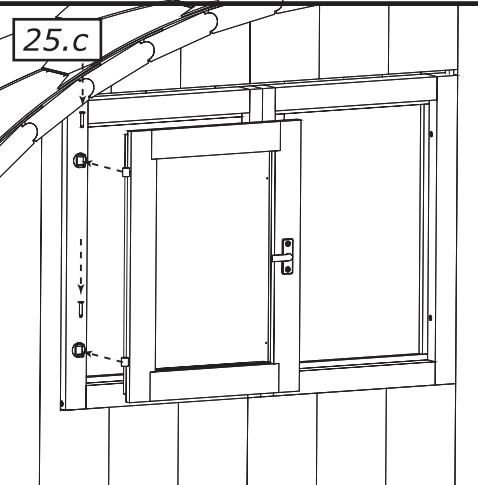
25.a



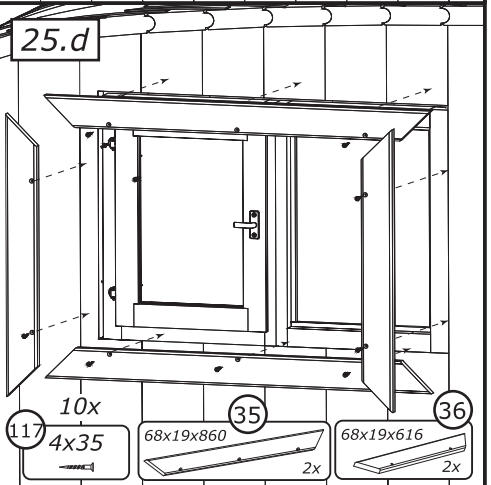
25.b



25.b

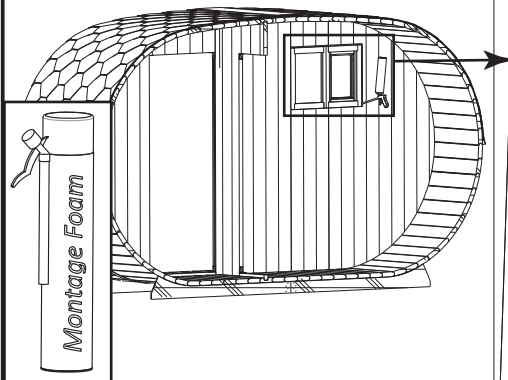


25.c

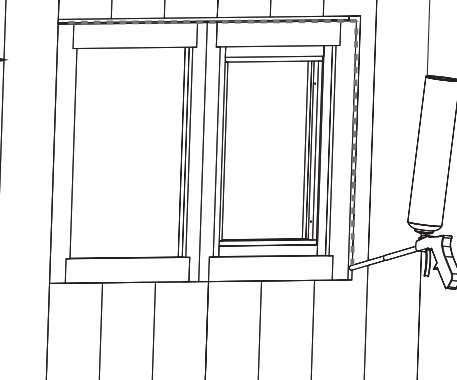


25.d

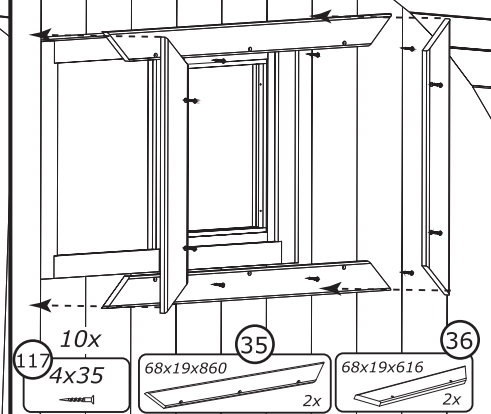
25.e



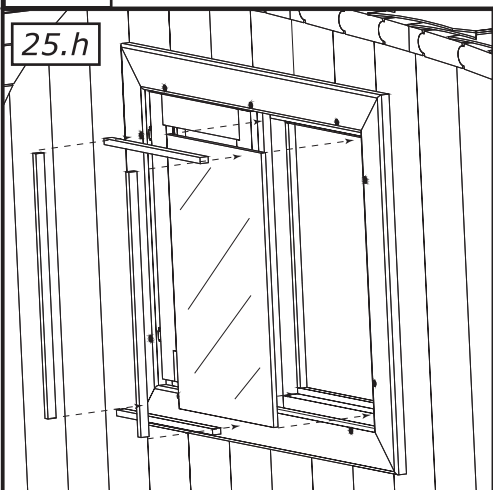
25.f



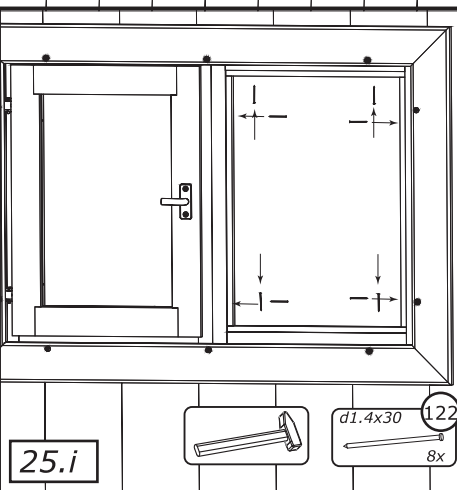
25.g



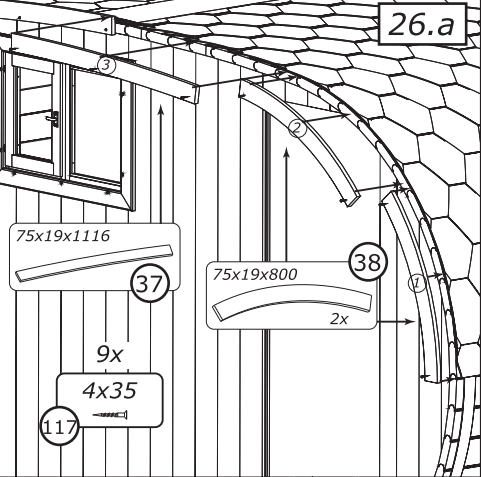
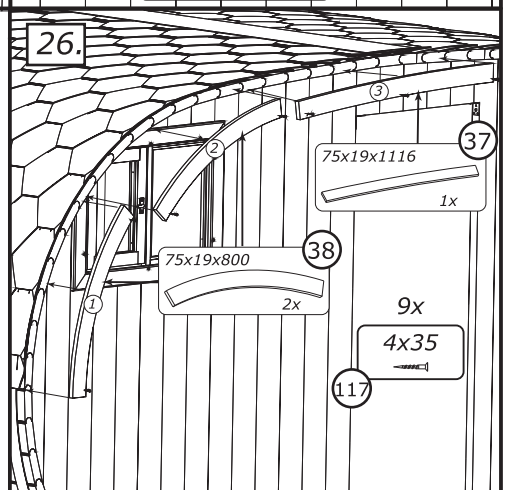
25.h



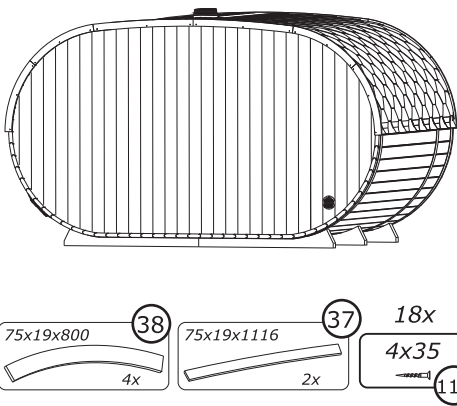
25.i



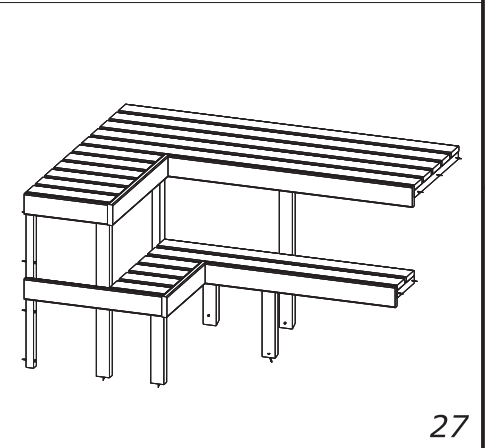
26.



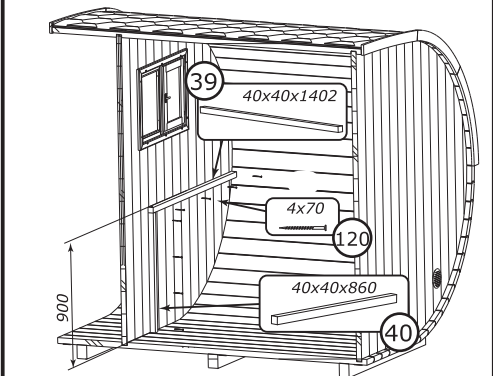
26.b



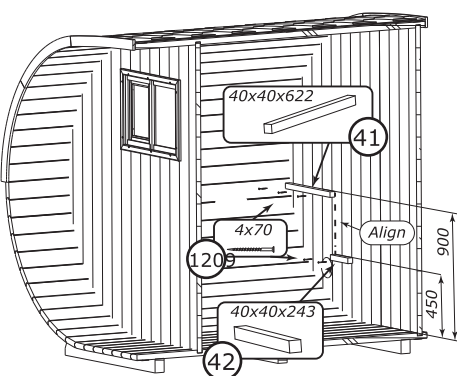
Steam room seat assembly



27.a

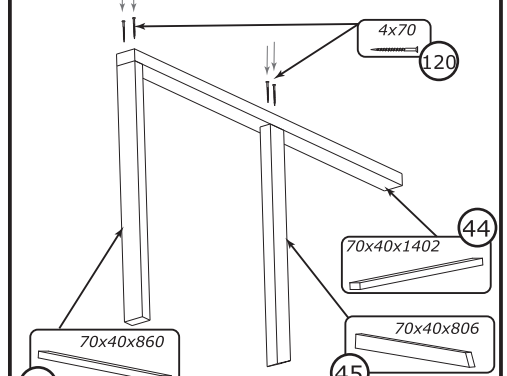


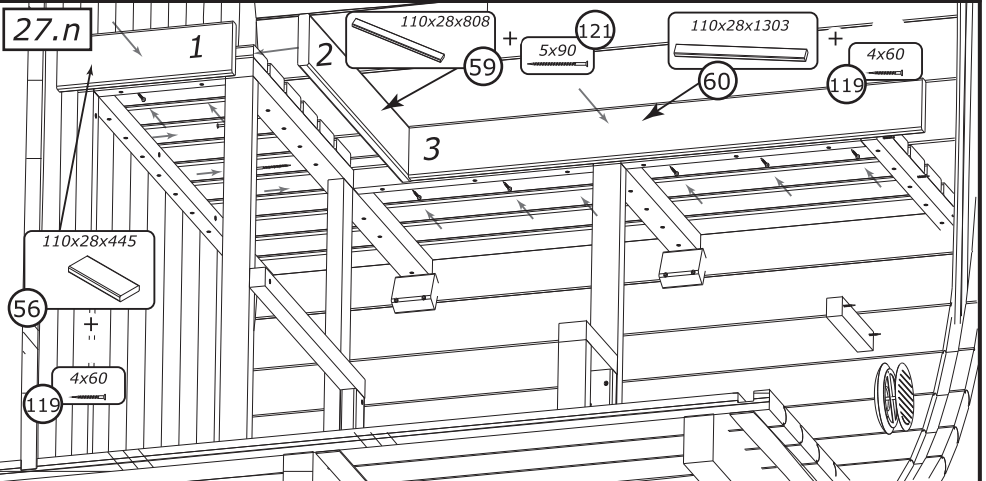
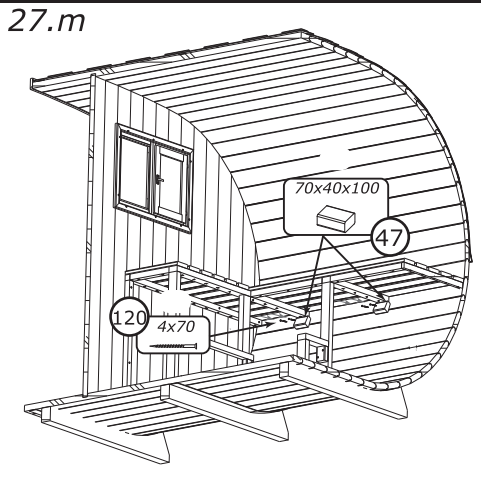
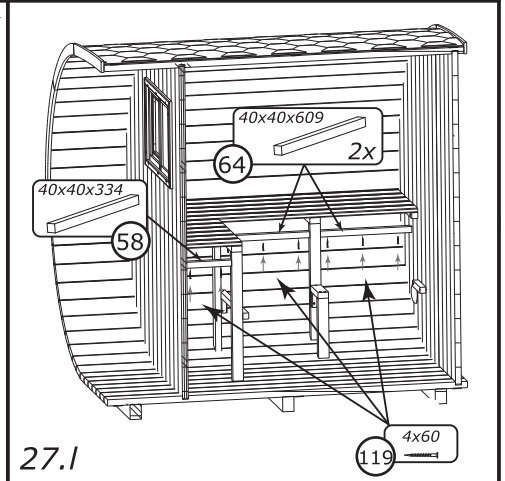
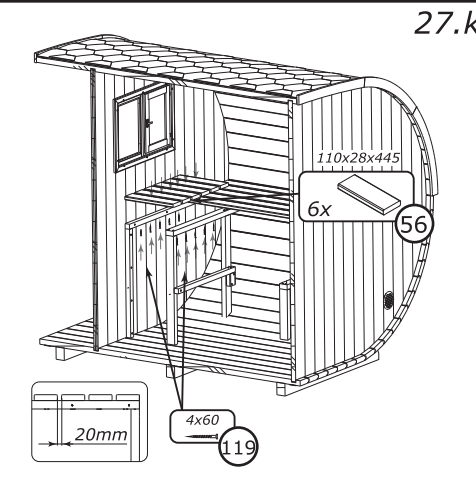
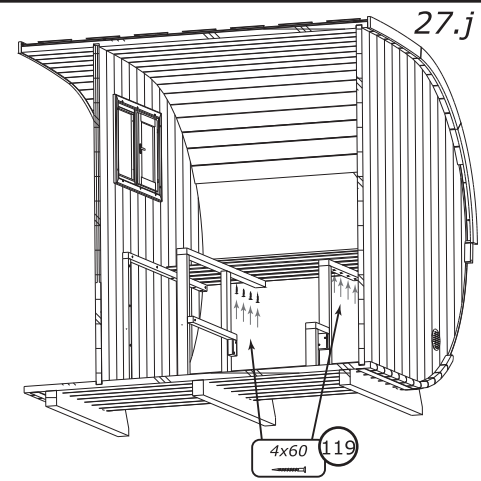
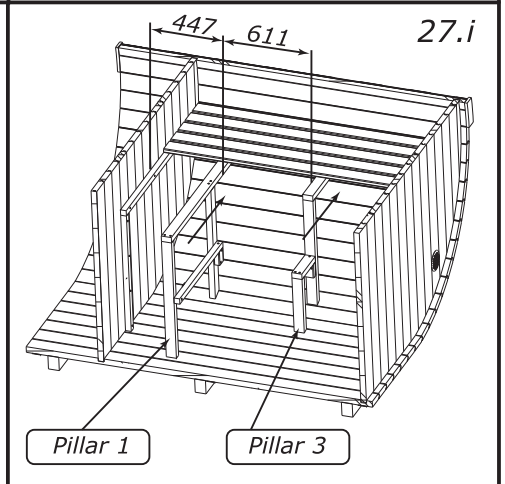
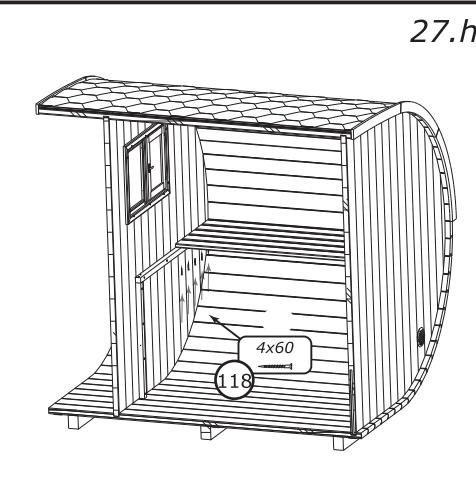
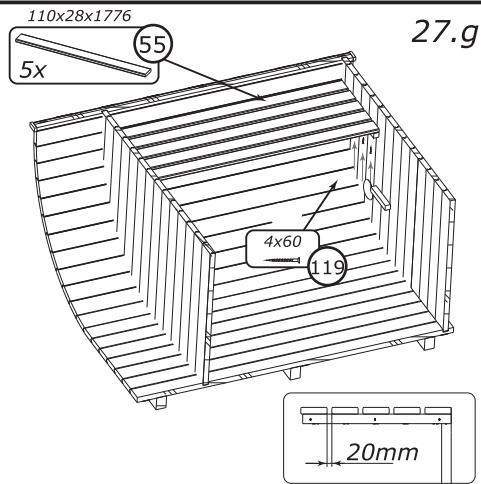
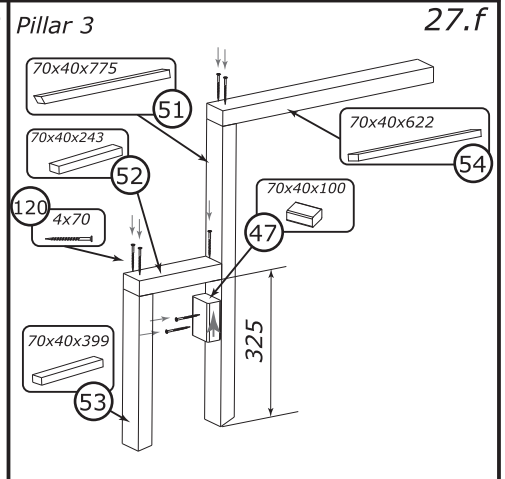
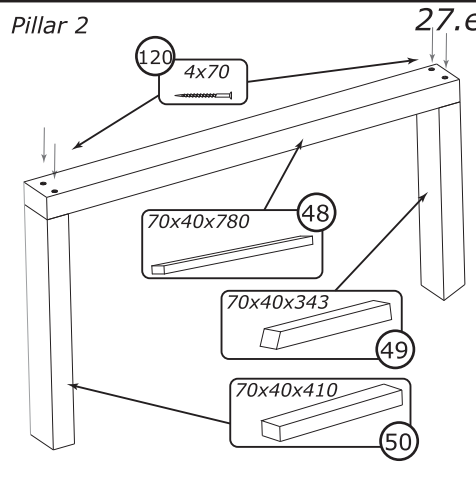
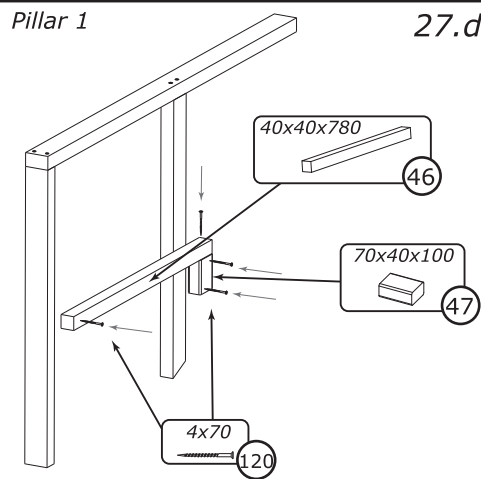
27.b



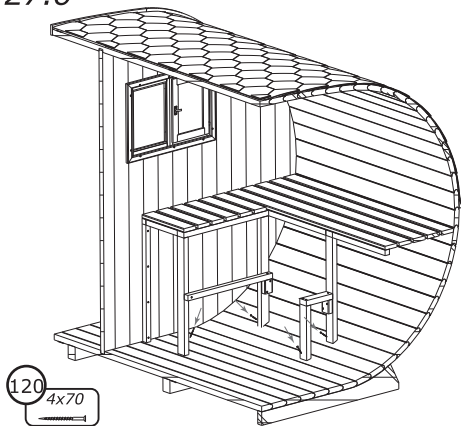
Pillar 1

27.c

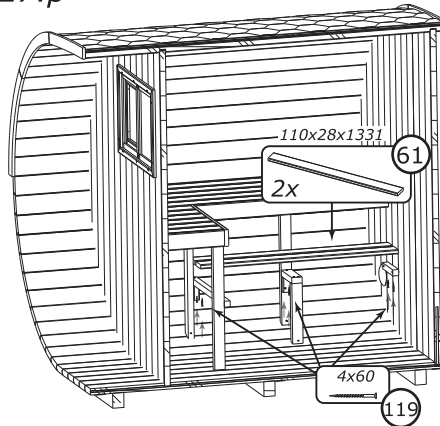




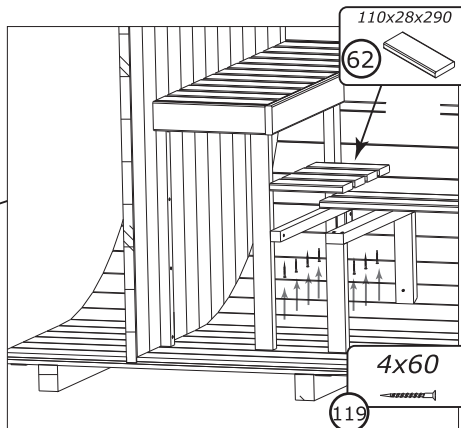
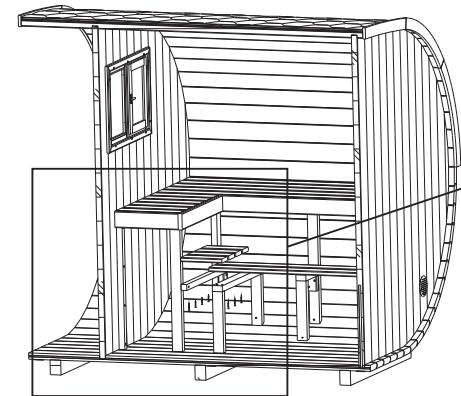
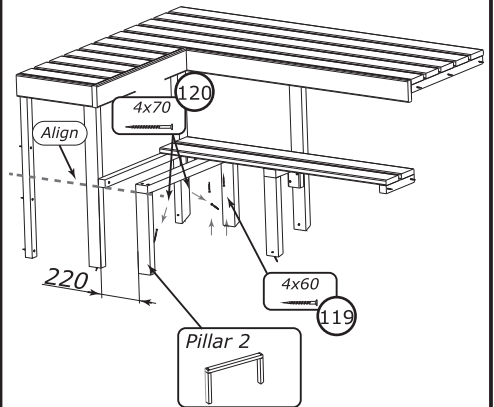
27.o



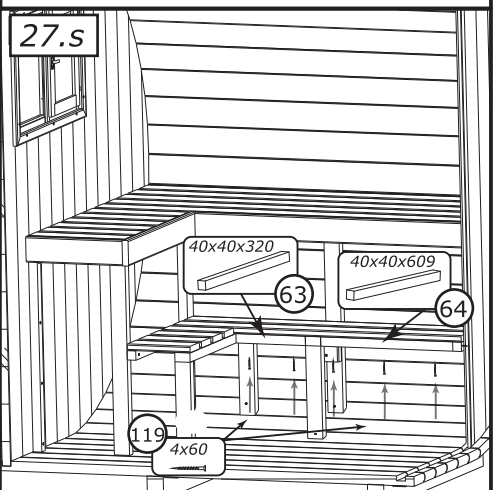
27.p



27.q

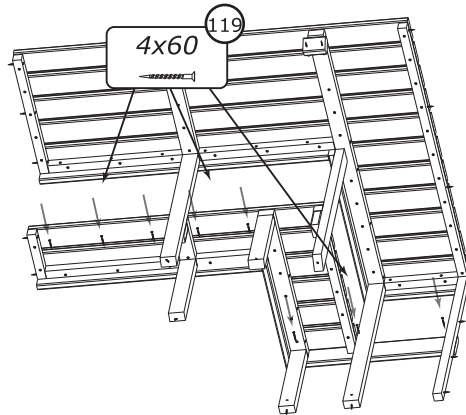
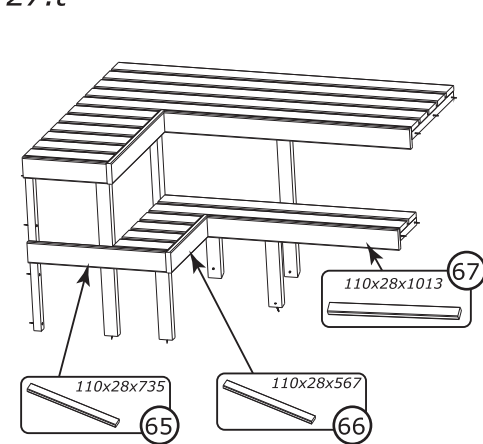


27.s

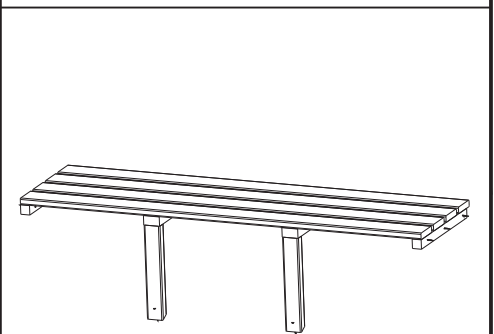


27.r

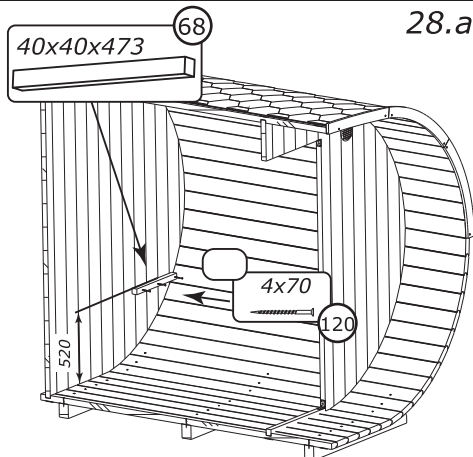
27.t



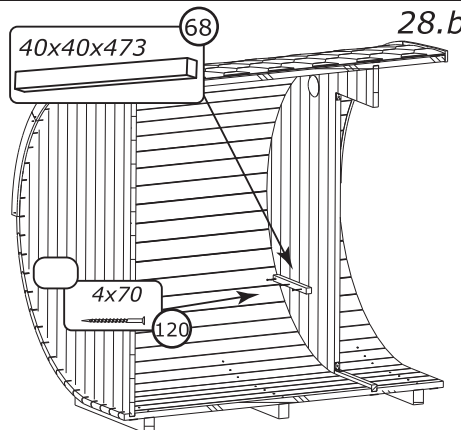
Dressing room seat assembly



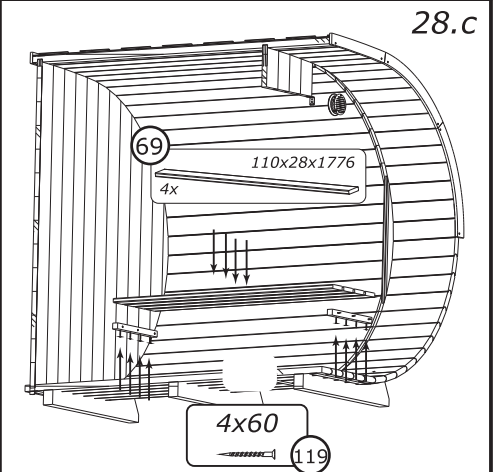
28



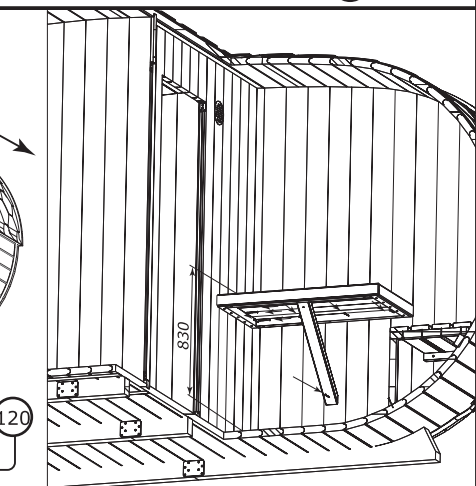
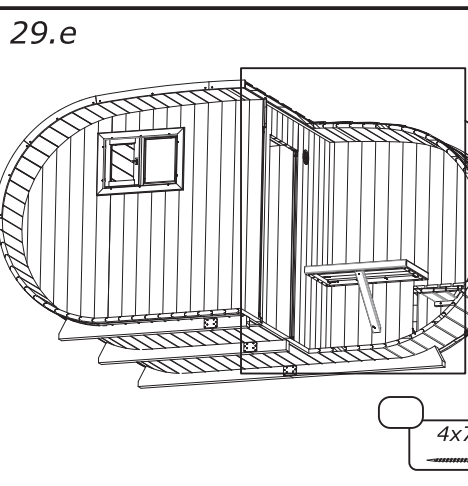
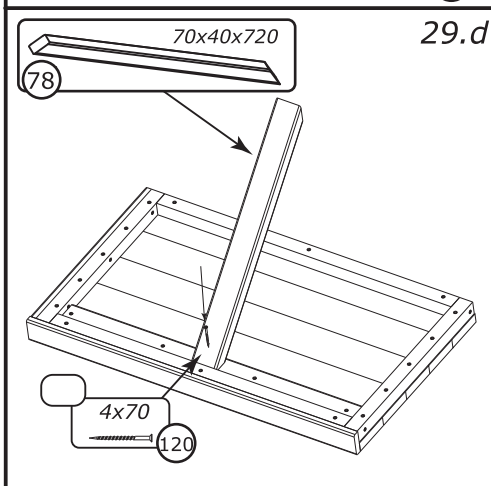
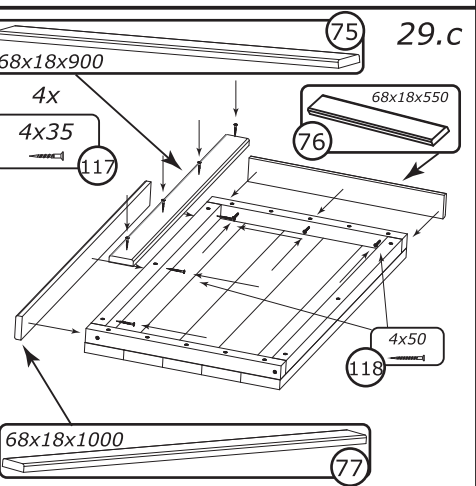
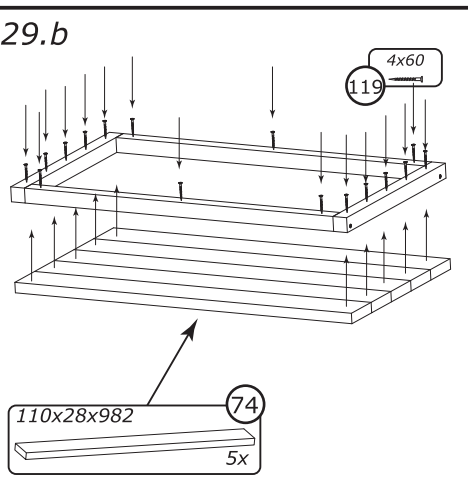
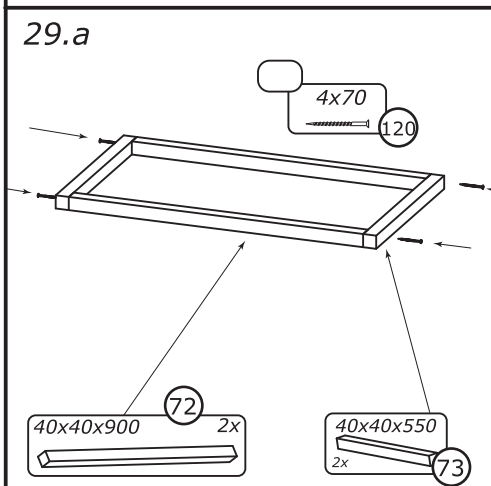
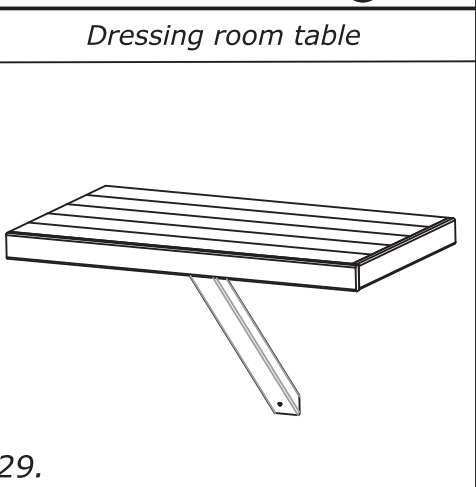
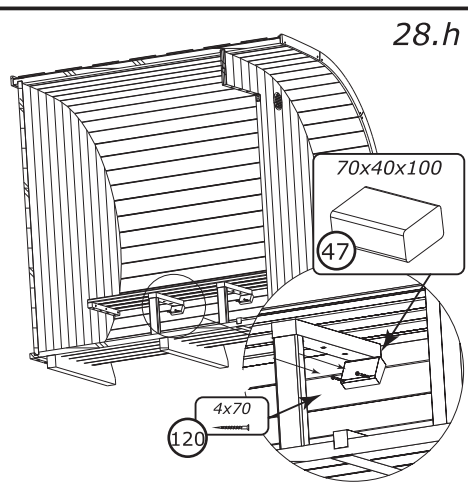
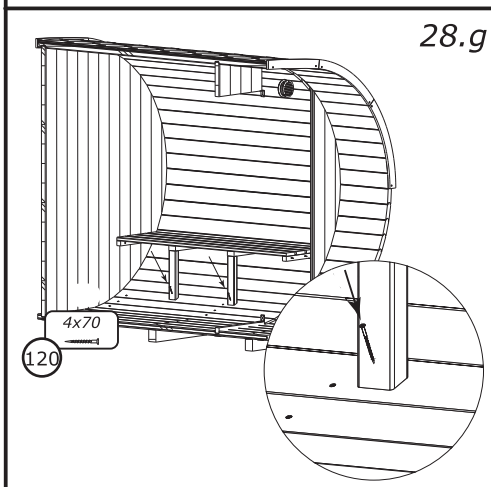
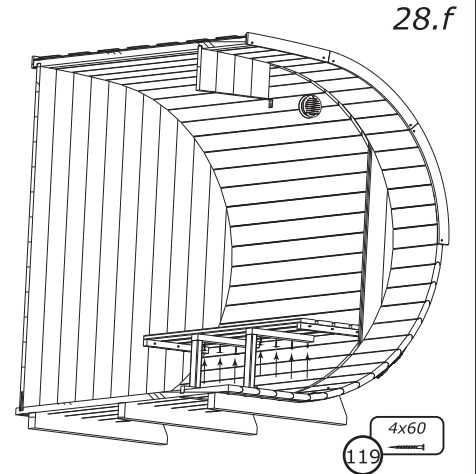
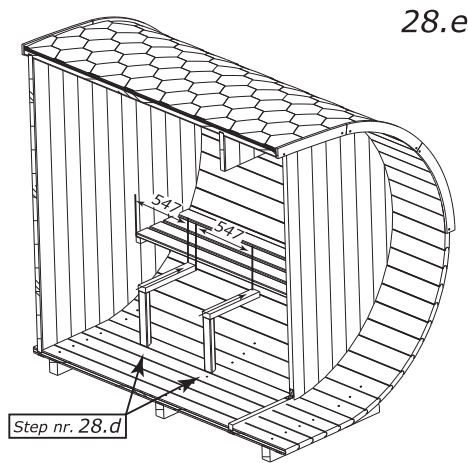
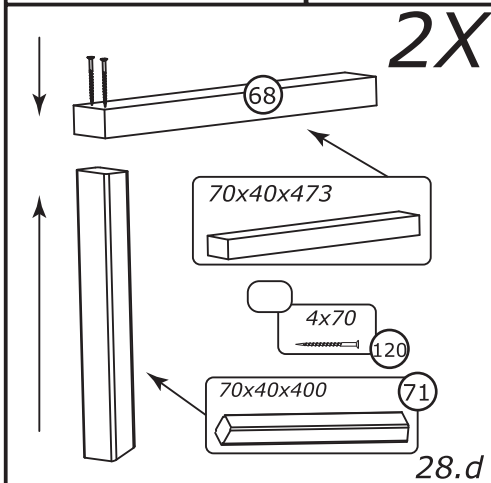
28.a



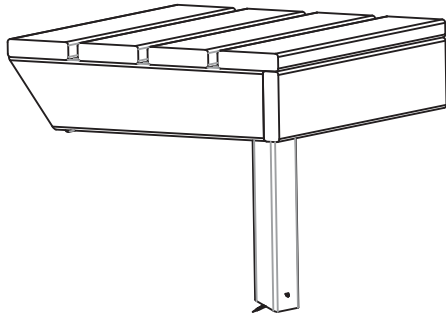
28.b



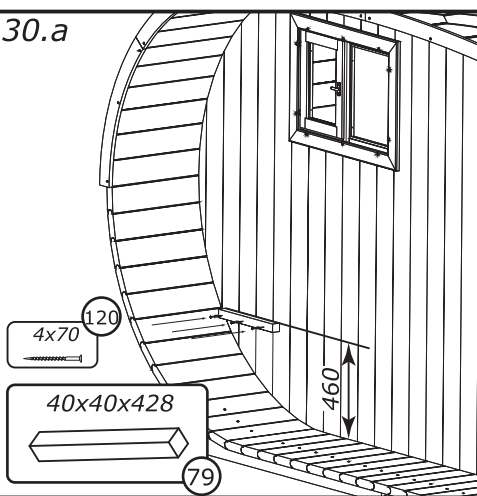
28.c



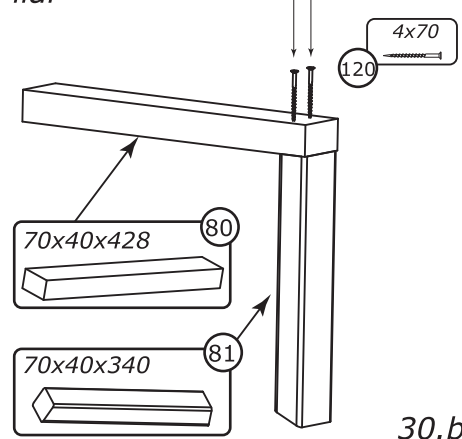
Verandah left seat



30.a

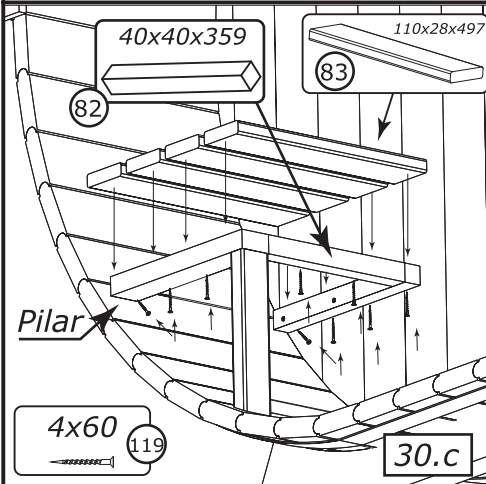


Pilar

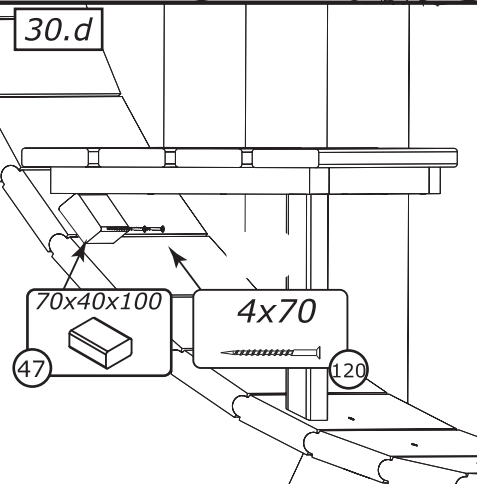


30.b

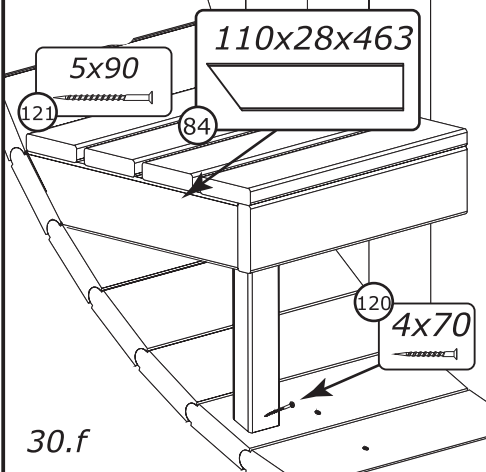
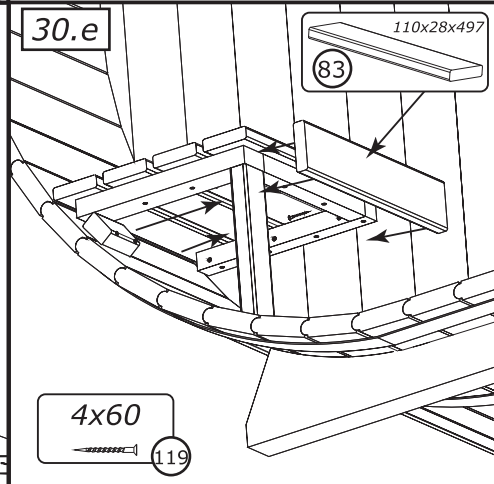
30.



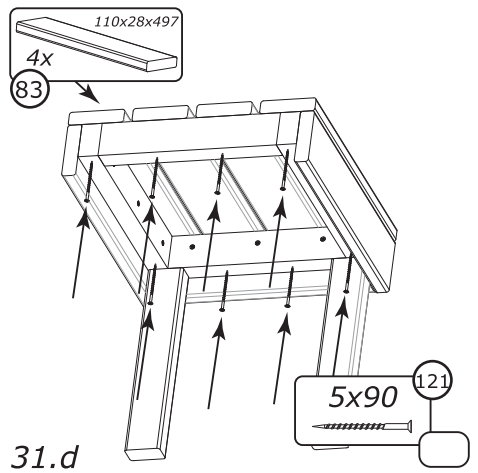
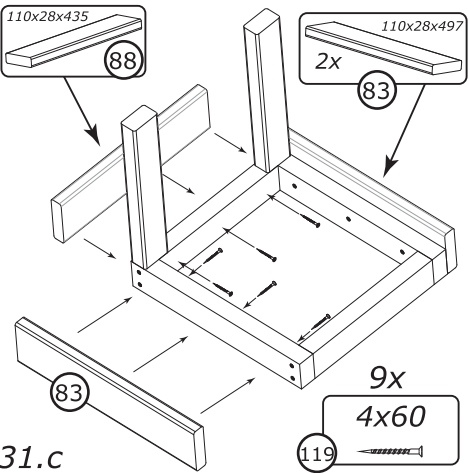
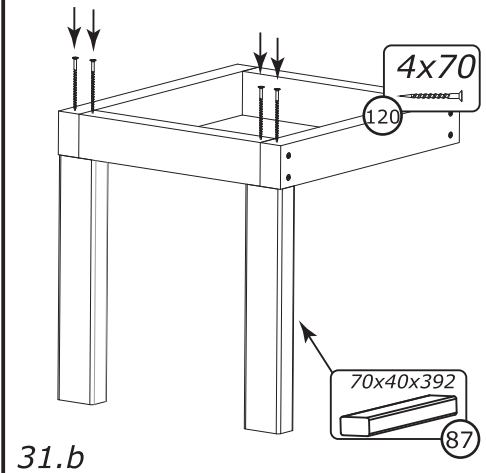
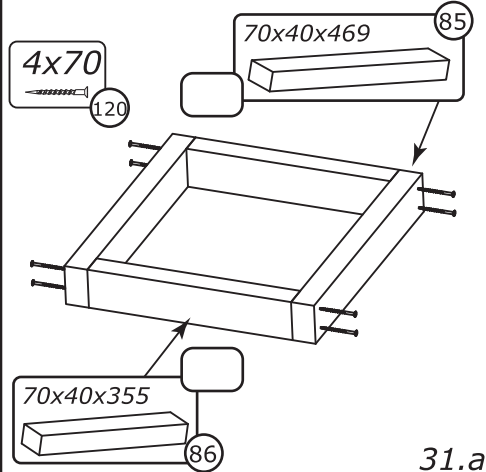
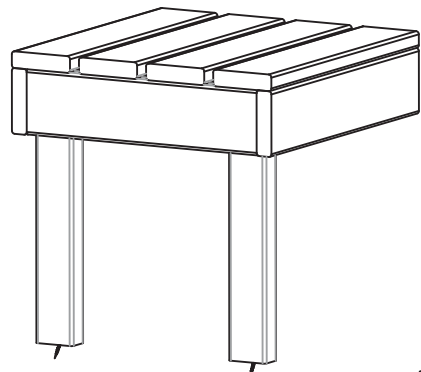
30.d



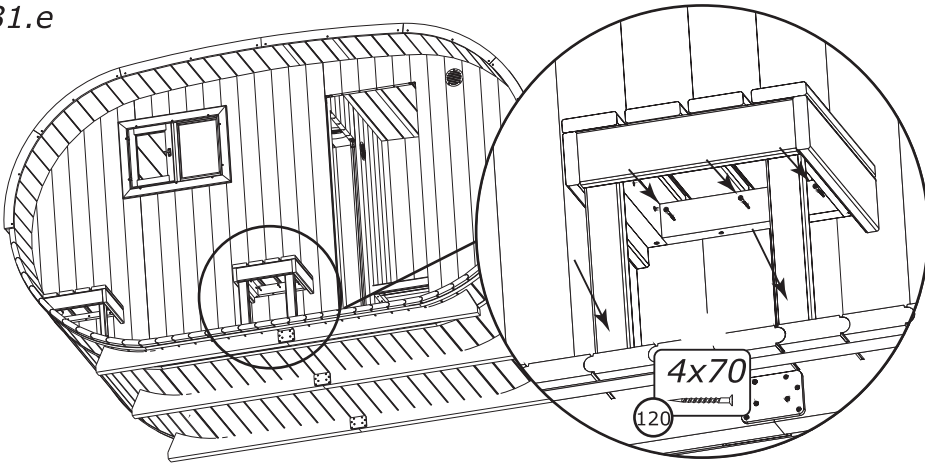
30.e



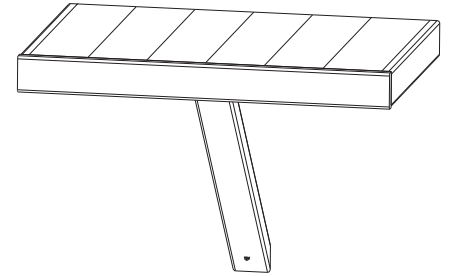
Verandah right seat



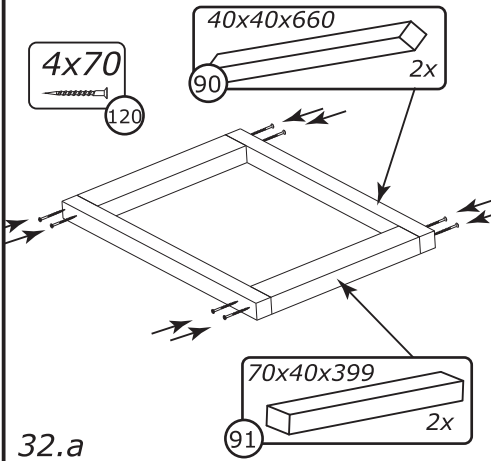
31.e



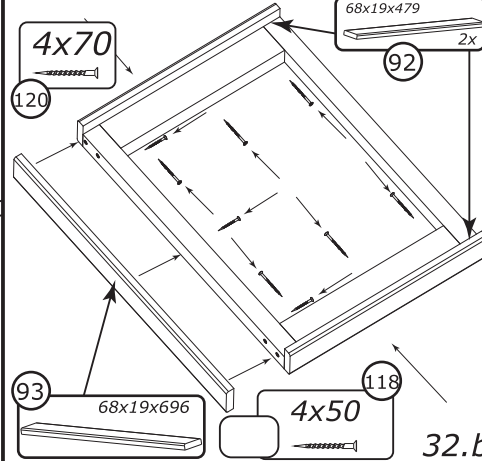
Verandah table



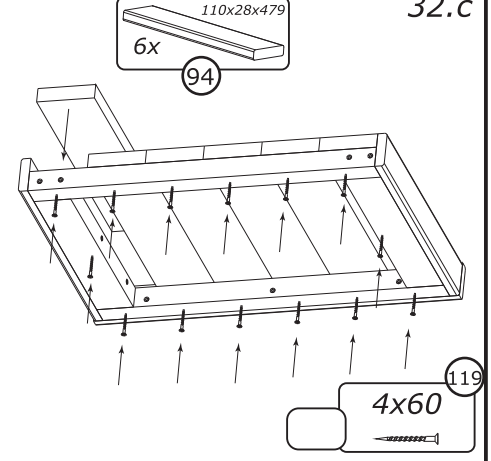
32



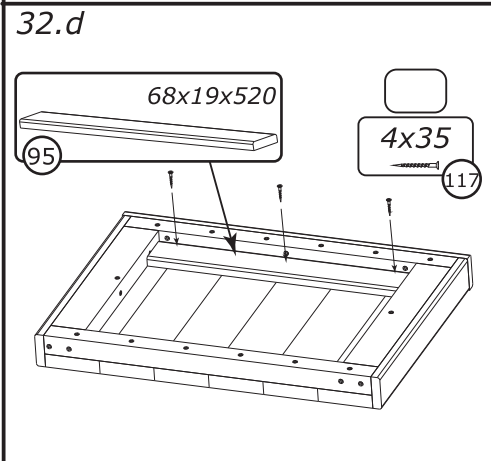
32.a



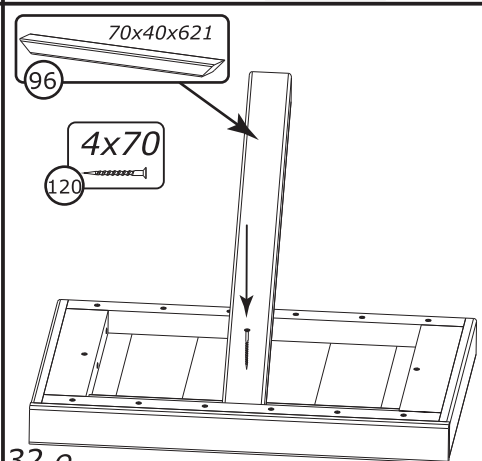
32.b



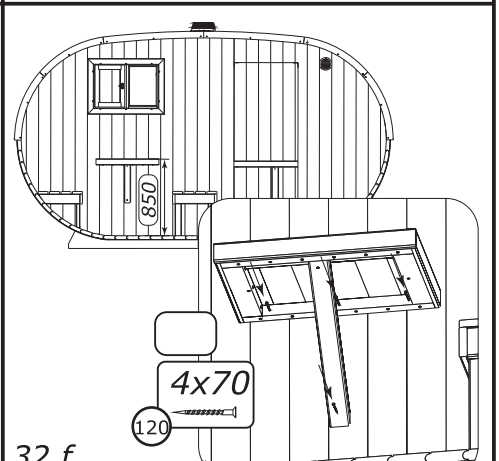
32.c



32.d

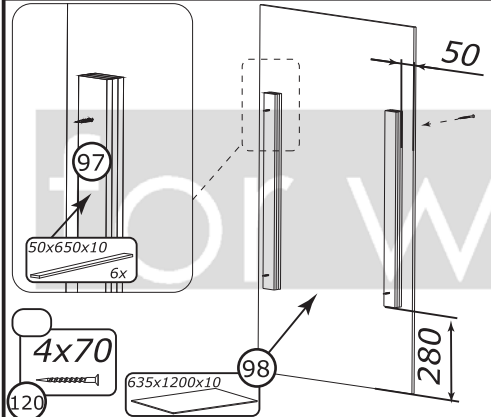


32.e

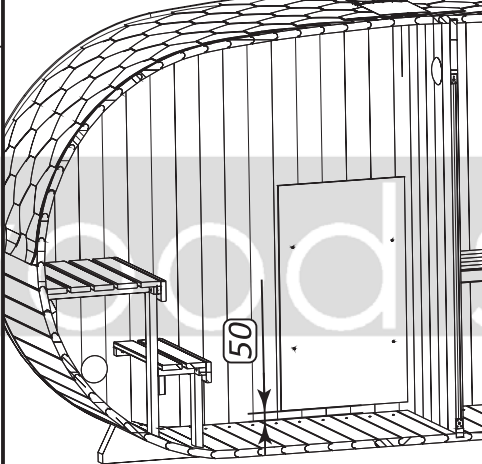


32.f

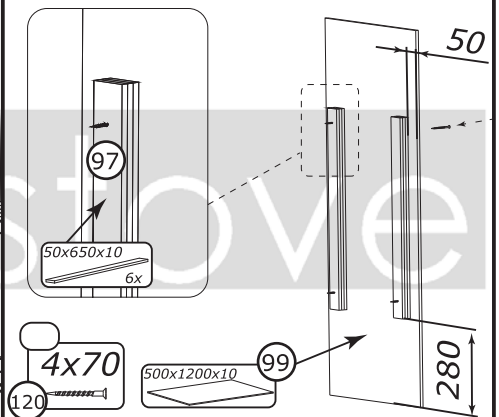
33. Fireproof panel 1
for wood stove

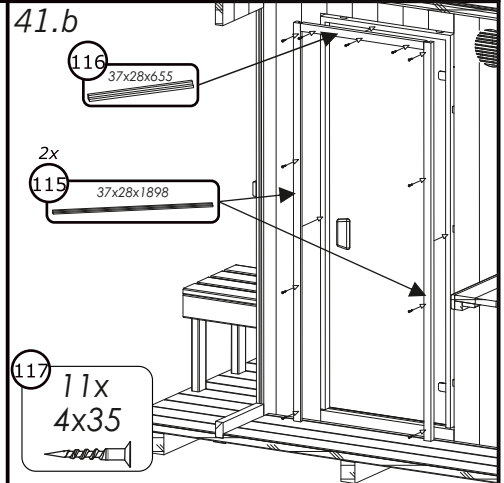
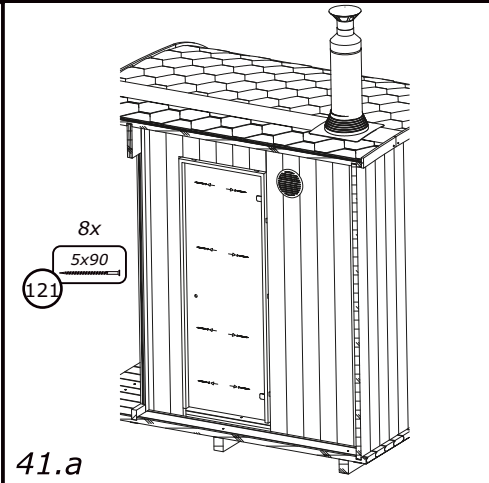
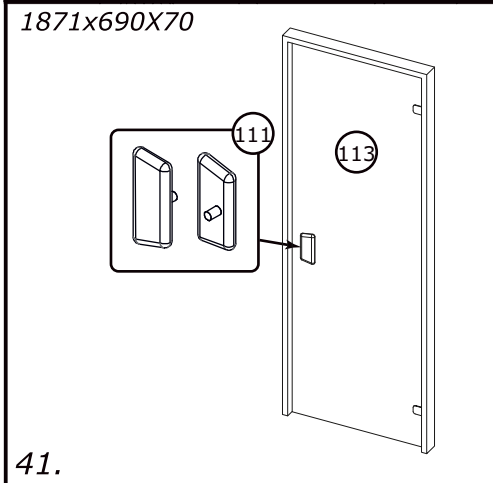
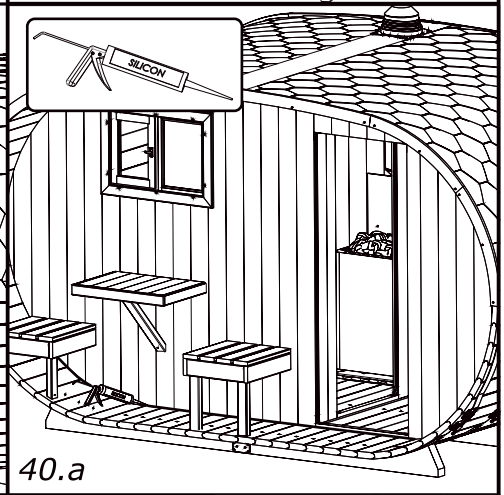
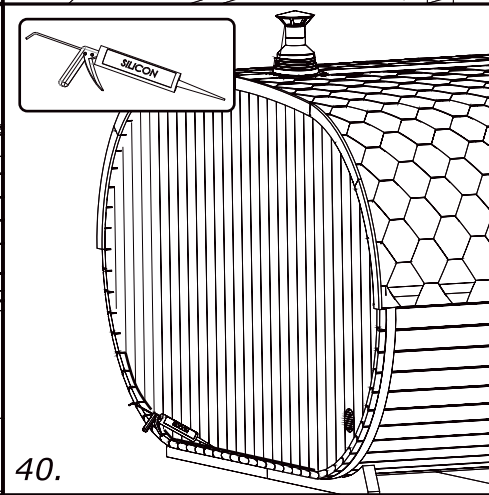
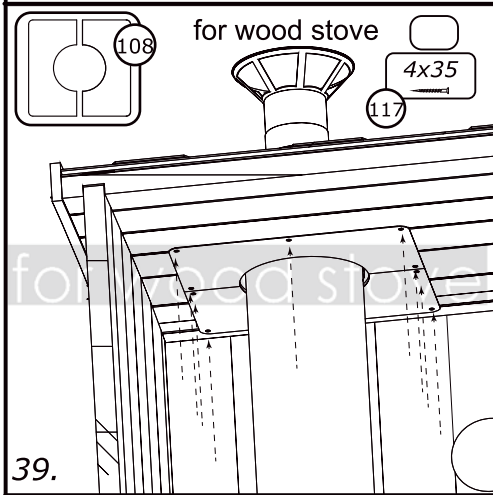
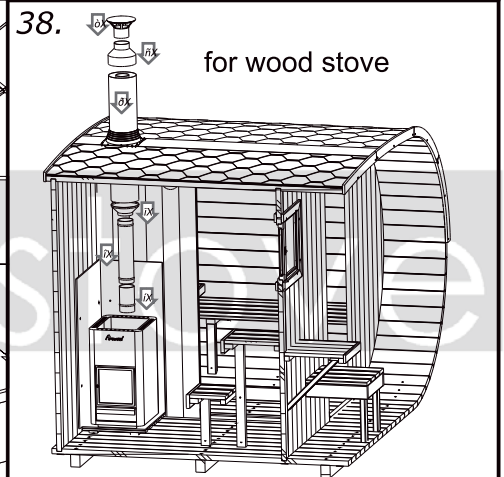
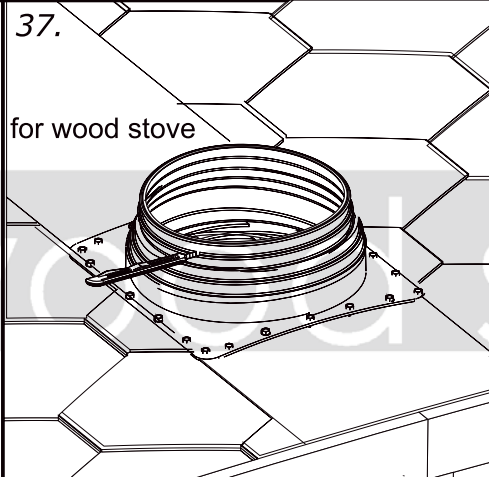
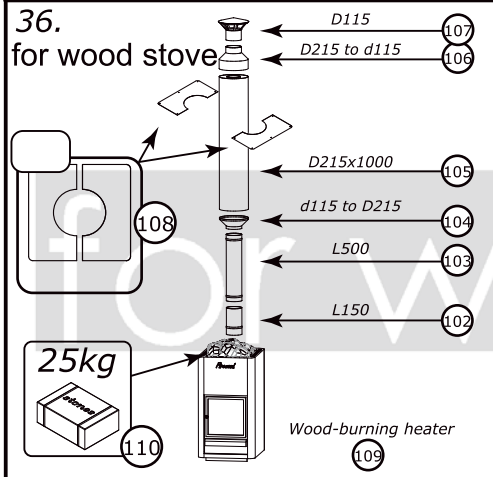
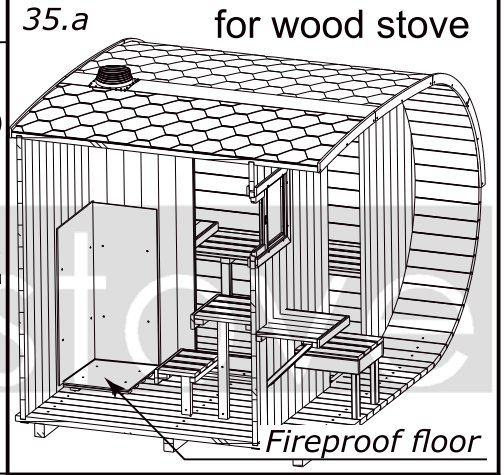
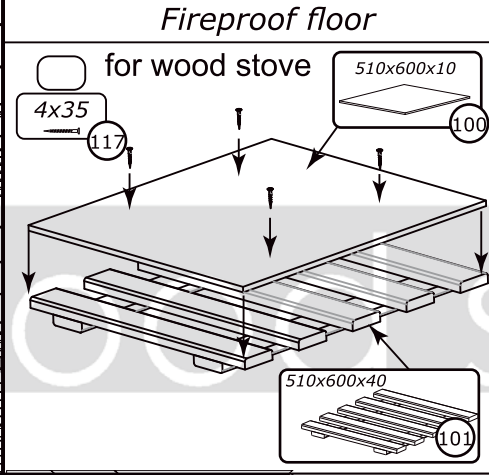
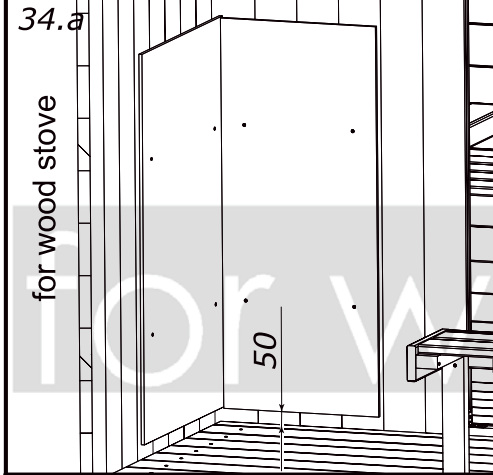


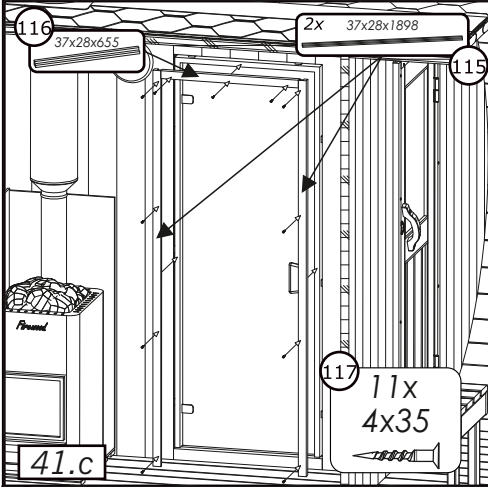
33.a for wood stove



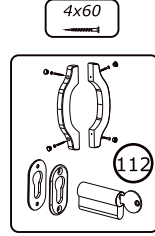
34. Fireproof panel 2
for wood stove



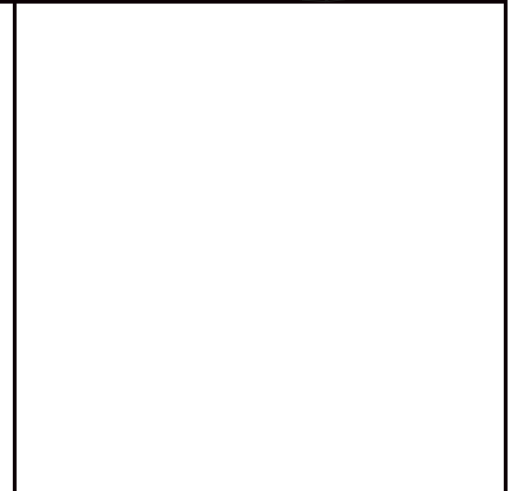
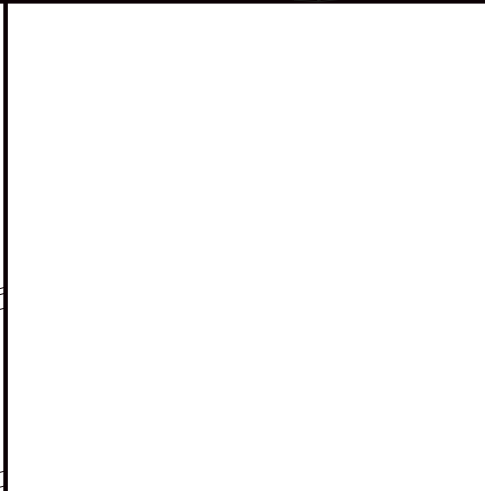
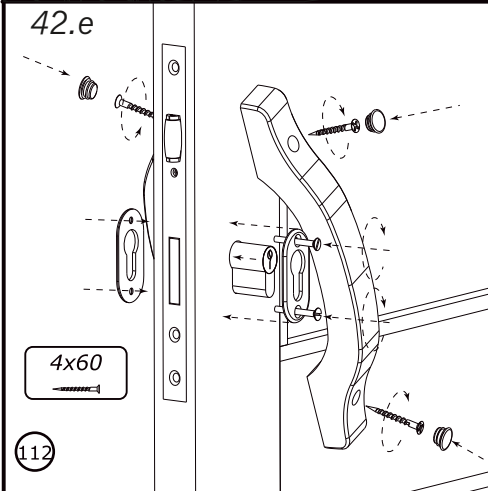
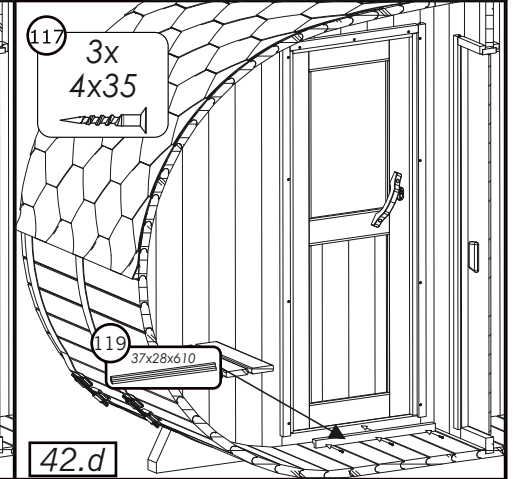
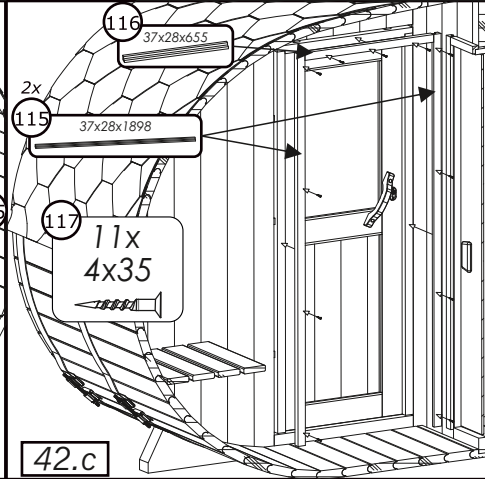
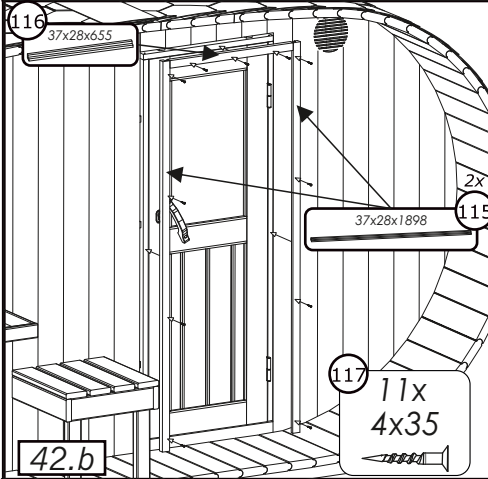
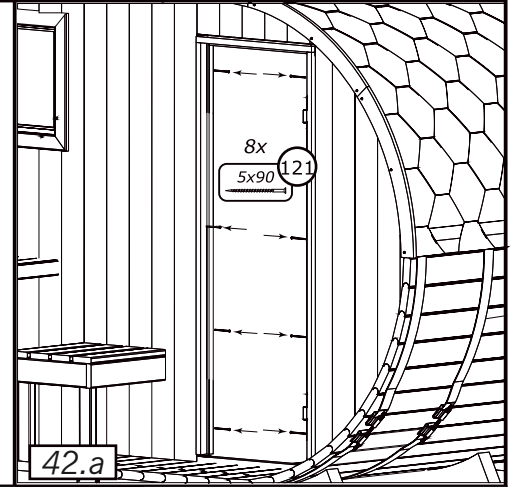
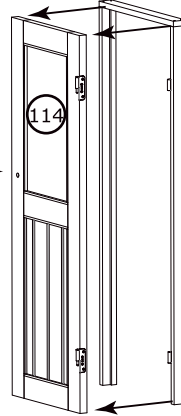




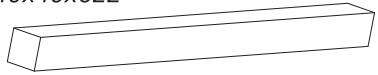



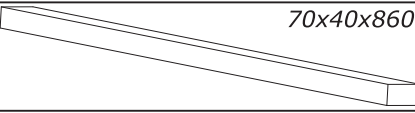
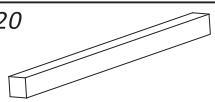
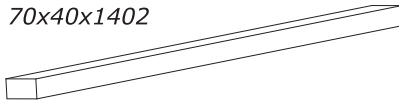
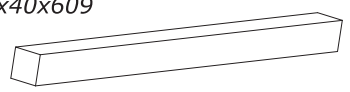
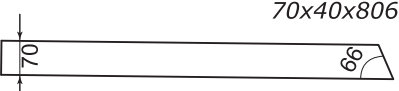
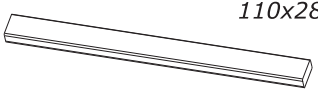


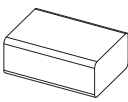
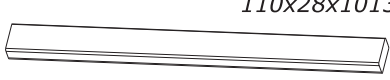
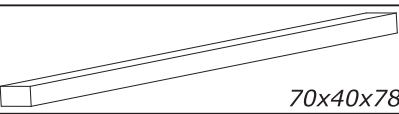

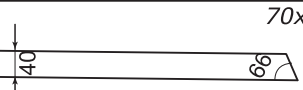

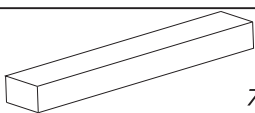
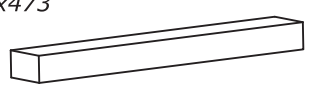
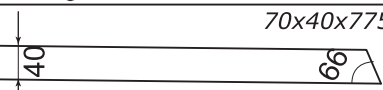
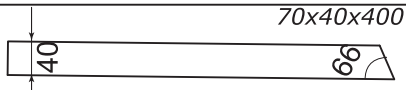
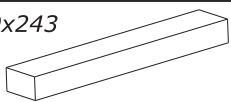
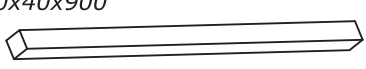
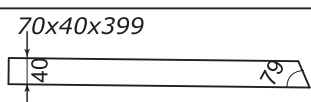

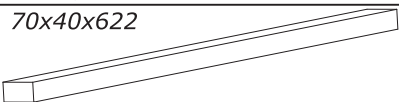



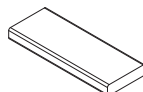



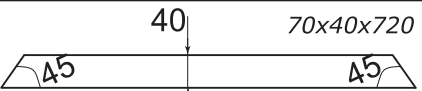
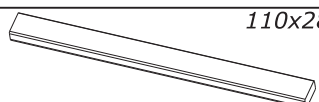
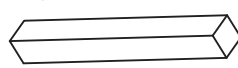


1871x690X70



42.



1	75x200x1495	6	21	Inner wall	818x2220x58	1
2	125x90x9	6	22		340x2220x40	1
3	145x41x2400	40	23		683x255x58	1
4	145x41x2400	36	24		40x75x708	1
5	145x41x2400	1	25	50x50x35	4	
6	145x41x2400	1	26	75x22x400	12	
7	145x41x2400	1	27	L10850	3	
8	100x41x2400	2	28		3	
9	45x41x2400	2	29	30x70x2400	2	
10	145x41x2400 Top Beam	1	30	1000x315 Katepal	104	
11	Rear wall	683x2226x58	1	31	Asphalt L2400	1
12		1089x2232x58	1	32		
13		1160x2191x58	1	33	Ventilation Set	3
14		1168x2191x58	1	34	760x530	1
15	Front wall	548x2232x58	1	35	68x19x860	4
16		683x2226x58	1	36	68x19x616	4
17		1160x2191x58	1	37	75x19x1116	4
18		683x257x58	1	38	75x19x800	8
19		1040x2178x58	1	39	40x40x1402	1
20		40x75x708	1	40	40x40x860	1

41	40x40x622 	1	61	110x28x1331 	2
42	40x40x243 	1	62	110x28x290 	4
43	70x40x860 	1	63	40x40x320 	1
44	70x40x1402 	1	64	40x40x609 	3
45	70x40x806 	1	65	110x28x735 	1
46	40x40x780 	1	66	110x28x567 	1
47	70x40x100 	7	67	110x28x1013 	1
48	70x40x780 	1	68	40x40x473 	2
49	70x40x343 	1	69	110x28x1776 	4
50	70x40x410 	1	70	70x40x473 	2
51	70x40x775 	1	71	70x40x400 	2
52	70x40x243 	1	72	40x40x900 	2
53	70x40x399 	1	73	40x40x550 	2
54	70x40x622 	1	74	110x28x982 	5
55	110x28x1776 	5	75	68x18x900 	1
56	110x28x445 	7	76	68x18x550 	1
57	-----/----- -----	-----	77	68x18x1000 	1
58	40x40x334 	1	78	70x40x720 	1
59	110x28x808 	1	79	40x40x428 	1
60	110x28x1303 	1	80	70x40x428 	1

Steam room seat

Steam room seat

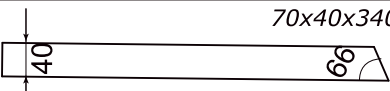

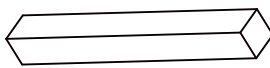



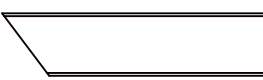
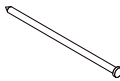

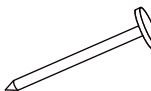

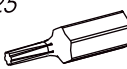




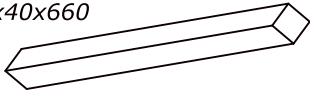

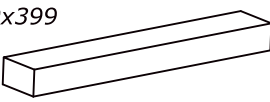





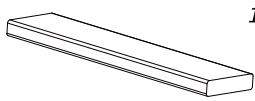

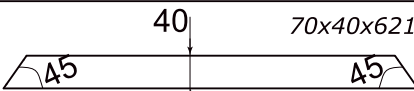

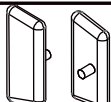

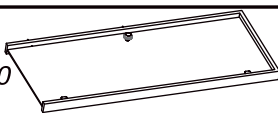
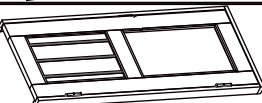
Steam room seat

Steam room seat

Dressing room seat

Dressing room table

Verandah left seat

81	Verandah left seat	 70x40x340	1	119	4x60		198 pcs
82		 40x40x359	1	120	4x70		150 pcs
83		 110x28x497	11	121	5x90		44 pcs
84		 110x28x463	1	122	1.4x30		308 gramms
85	Verandah right seat	 70x40x469	2	124	2xL30		470 pcs
86		 70x40x355	2	125	T15, T20, T25		675 gramms
87		 70x40x392	2	115	37x28x1898		8
88		 110x28x435	1	116	37x28x655		4
90	Verandah table	 40x40x660	2	117	4x35		160
91		 70x40x399	2	118	4x50		20 pcs
92		 68x19x479	2	119	37x28x610		50 gramms
93		 68x19x696	1				1
94		 110x28x479	6				1
95		 68x19x520	1				
96	 70x40x621	1					
110	 400x285x150	6					
111		Set					
112		Set					
113	 1870x690	1					
114	 1870x690	1					