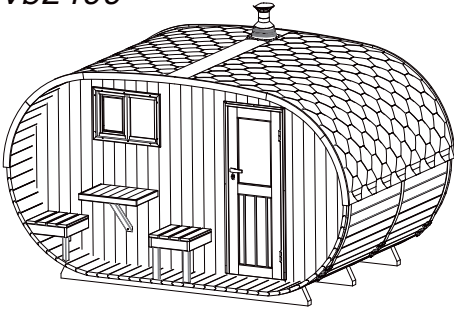
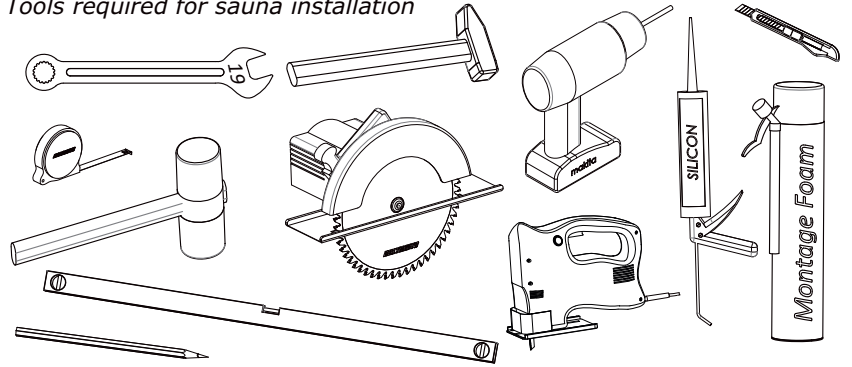


22ovb2400

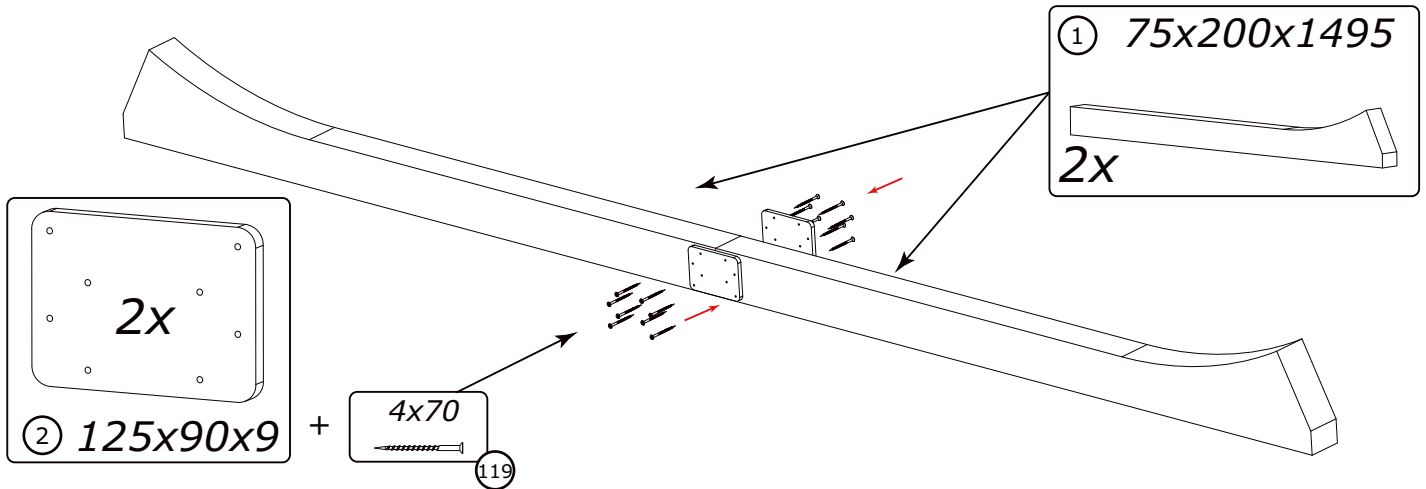


2.2x4m oval sauna with wood-burning heater

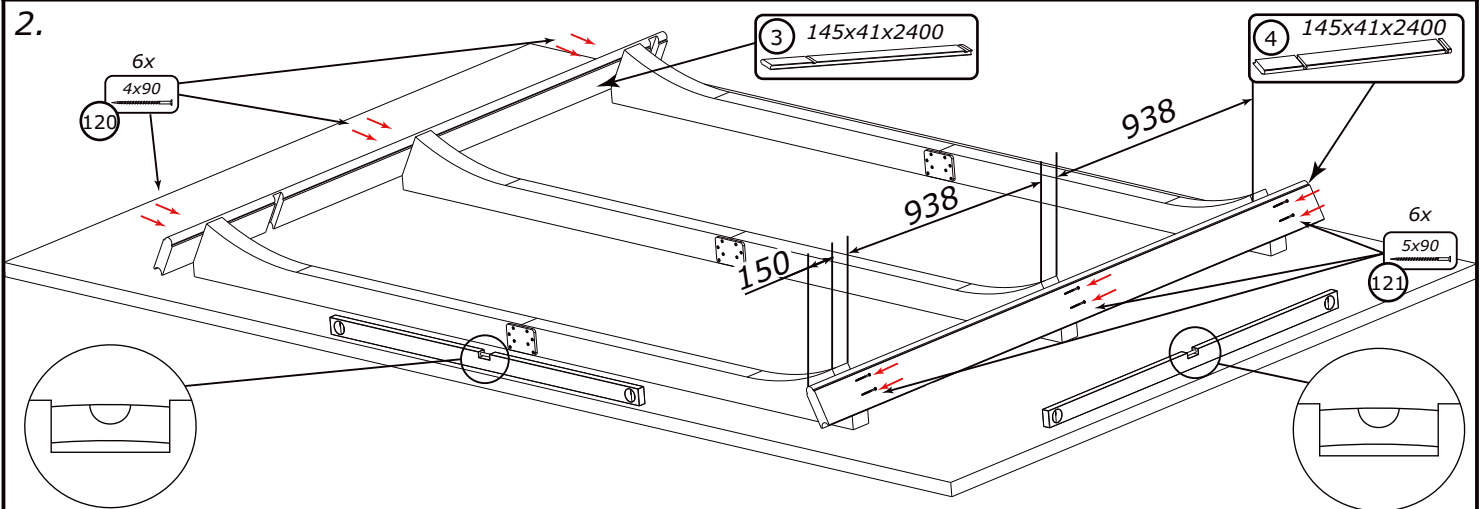
Tools required for sauna installation



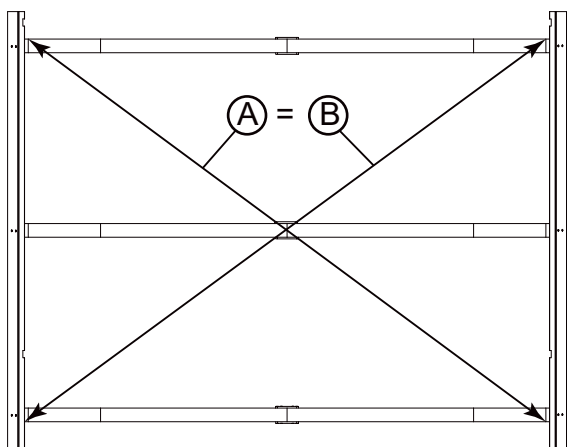
1.



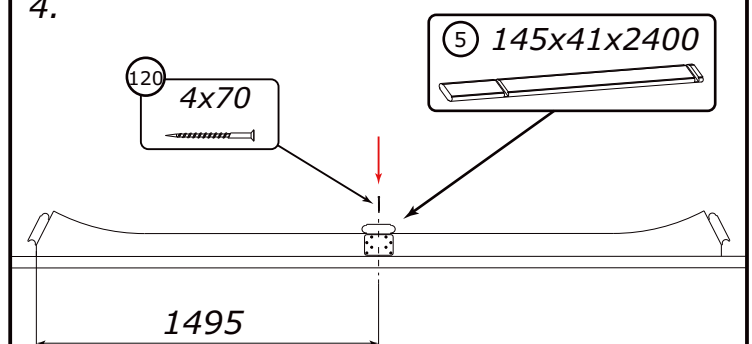
2.

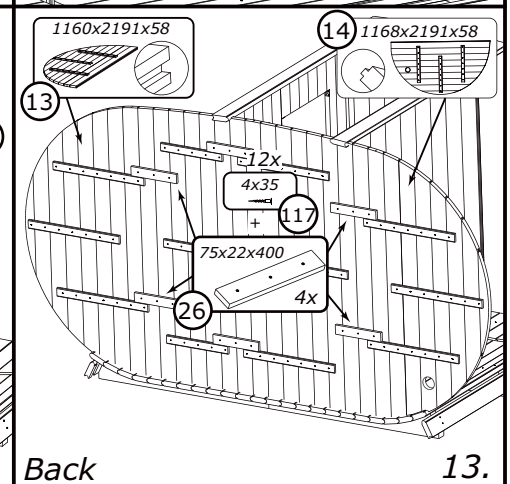
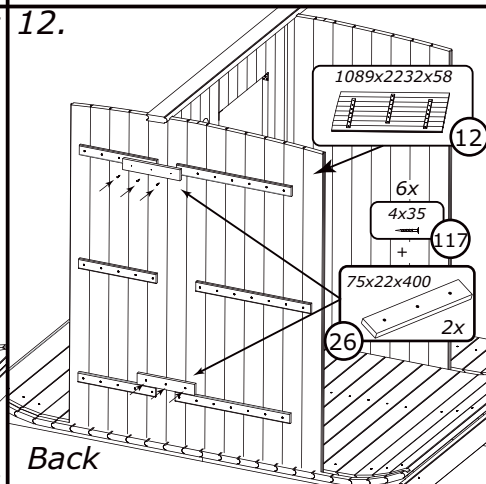
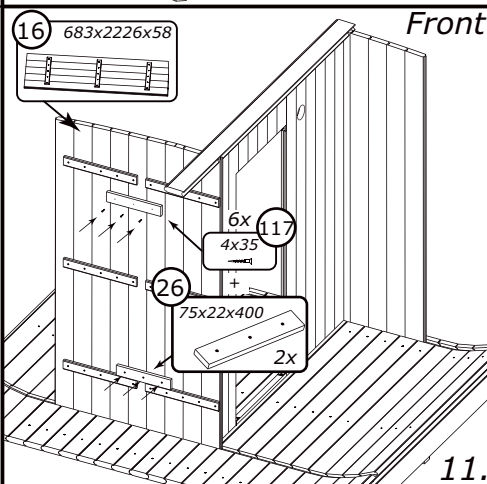
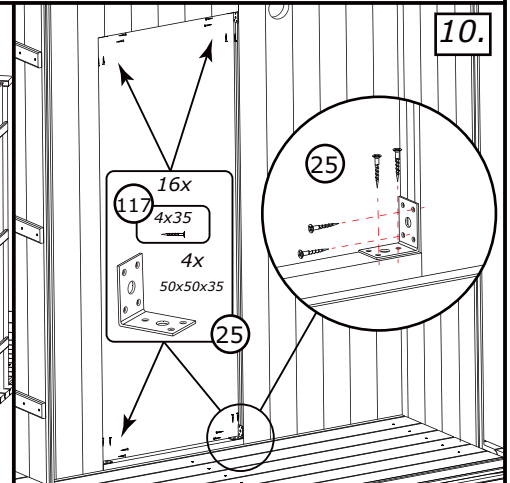
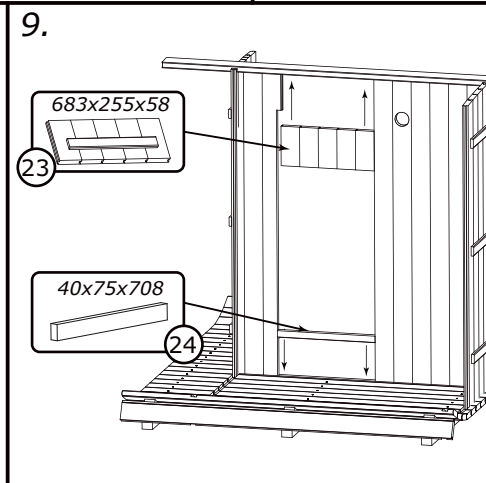
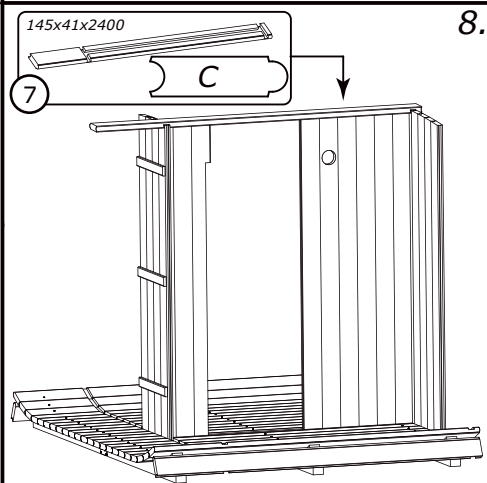
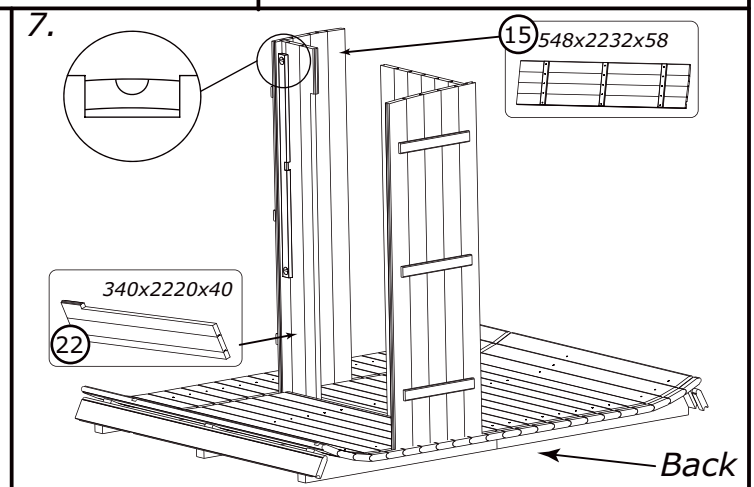
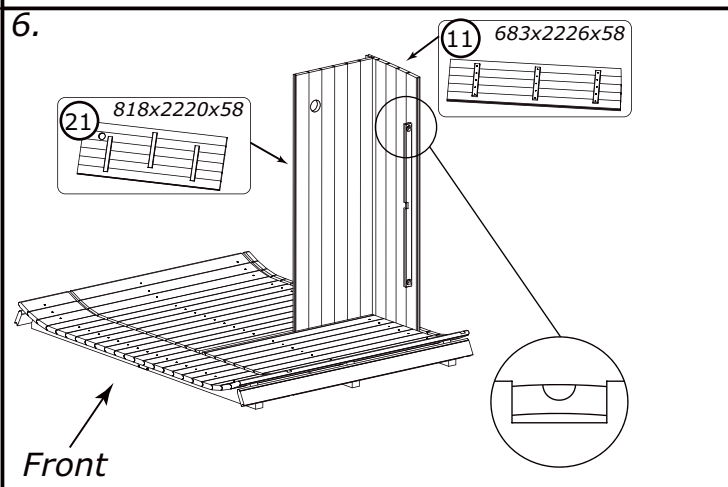
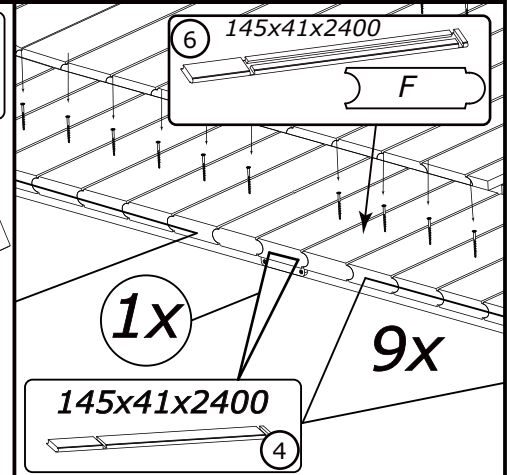
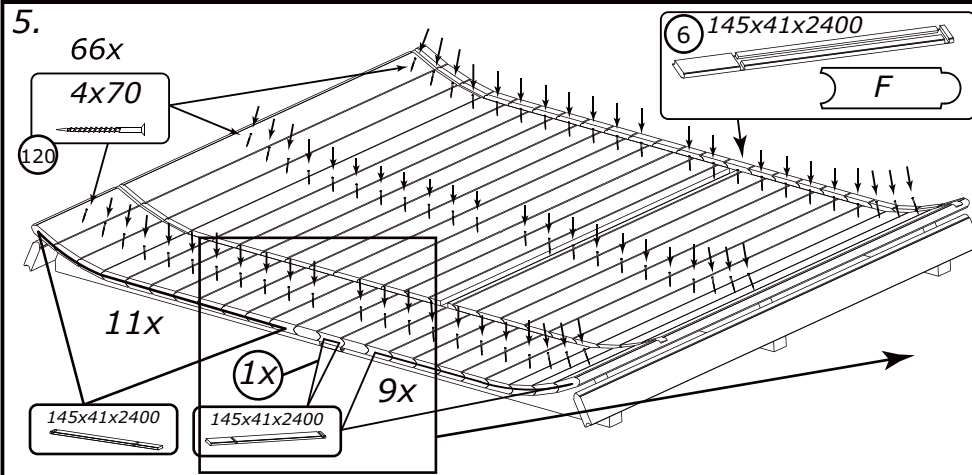


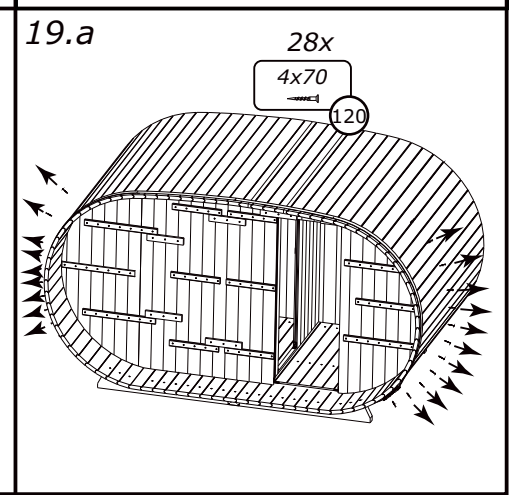
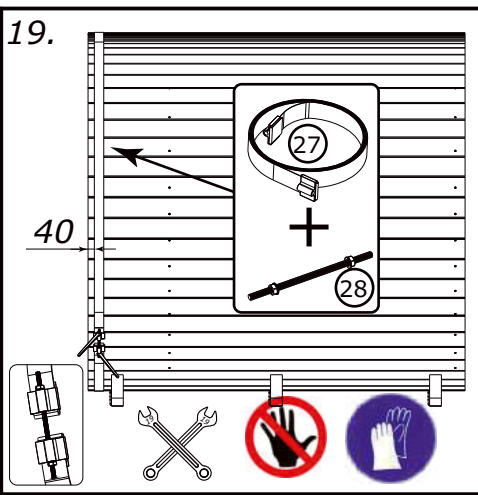
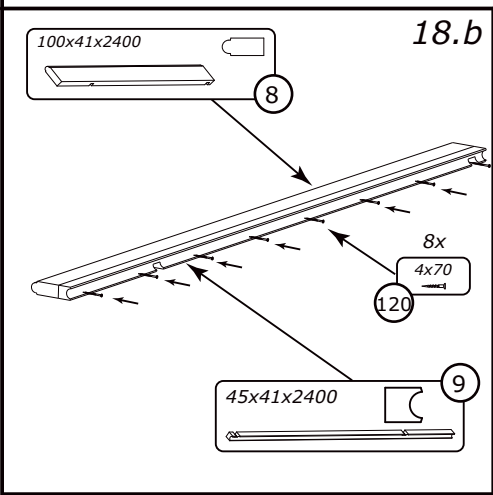
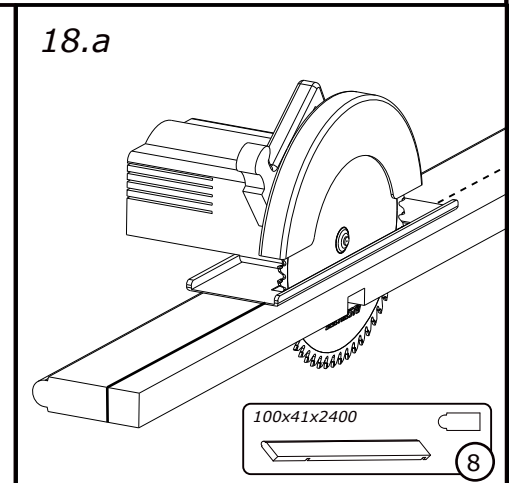
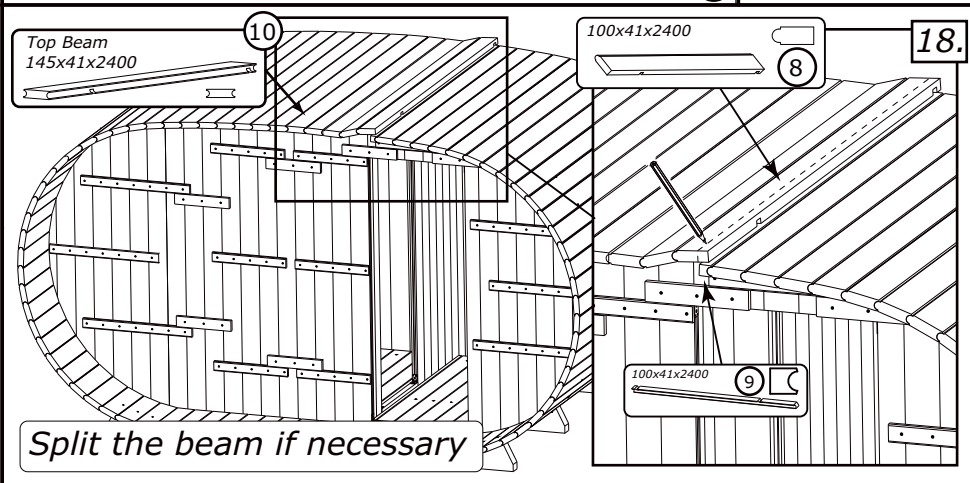
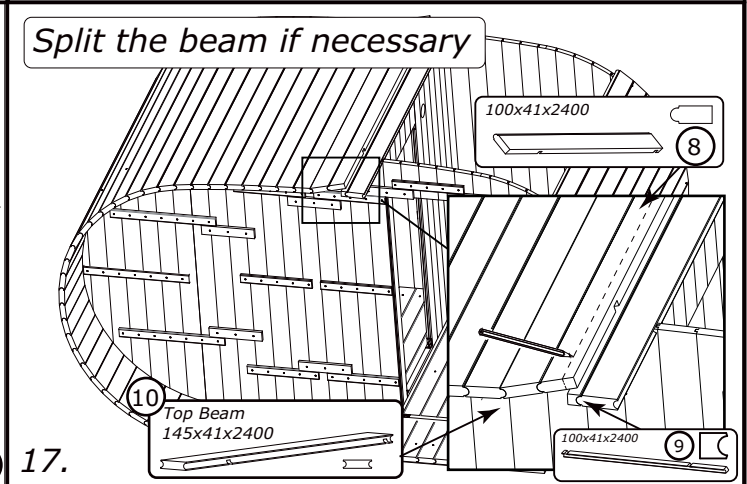
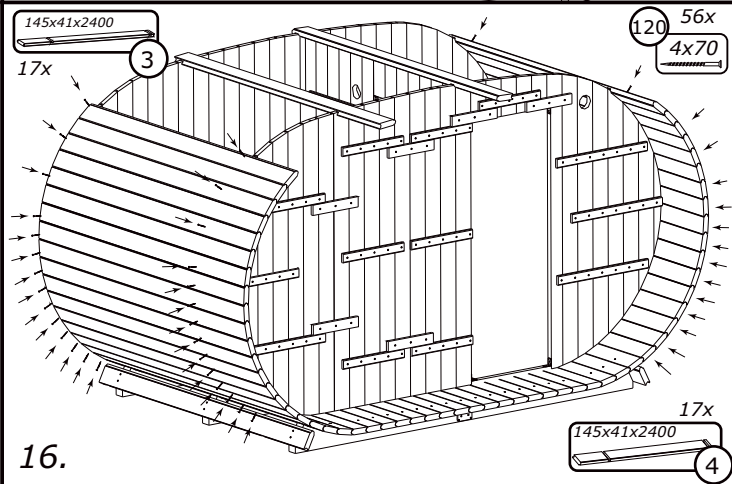
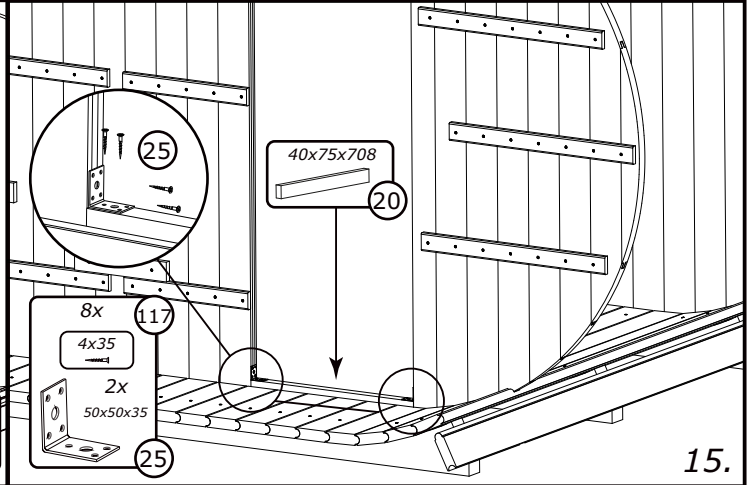
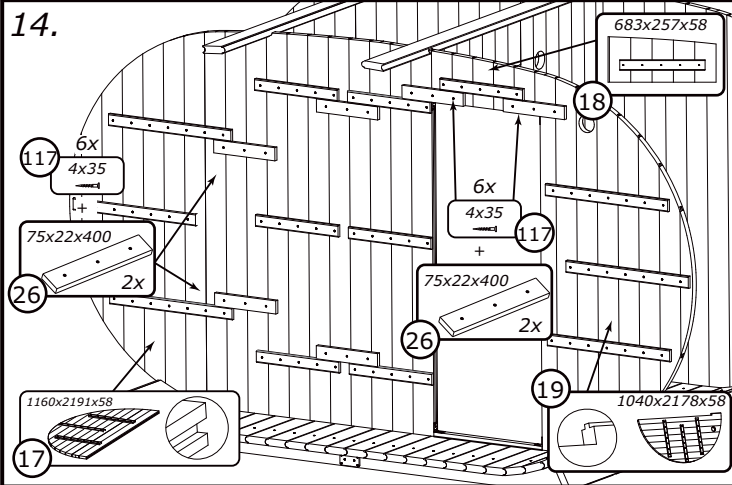
3.



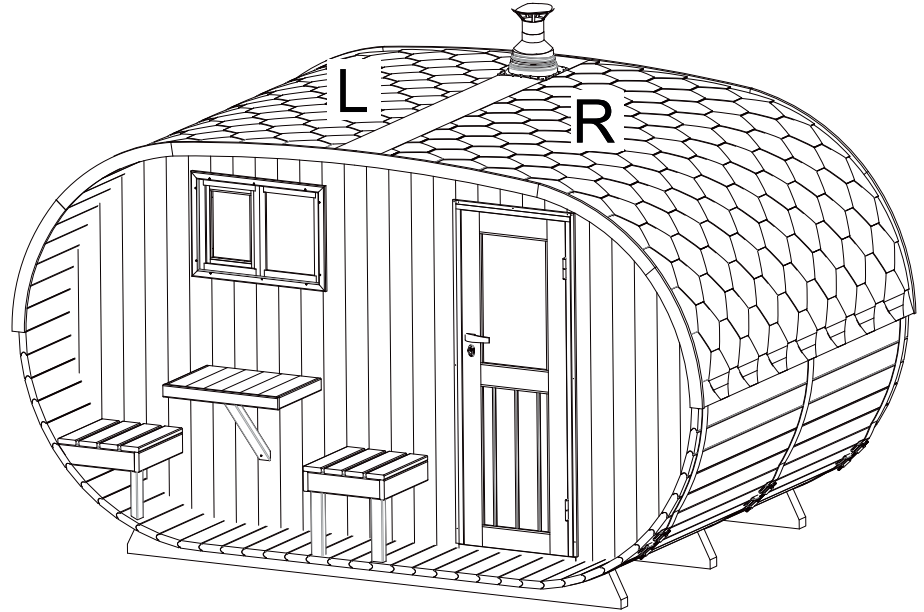
4.

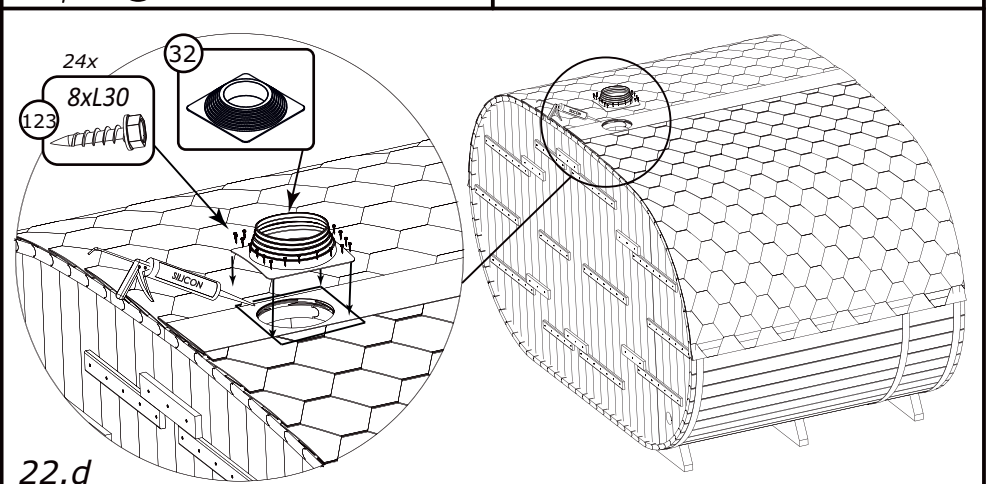
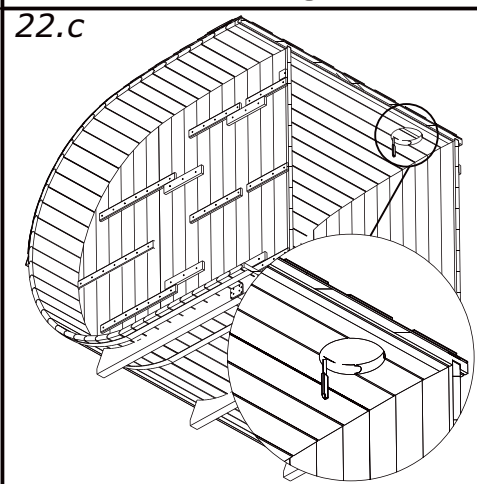
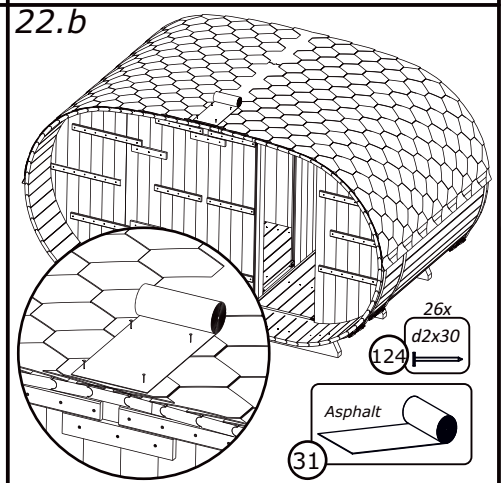
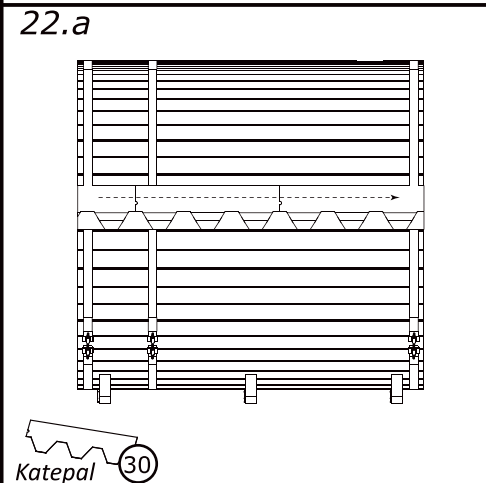
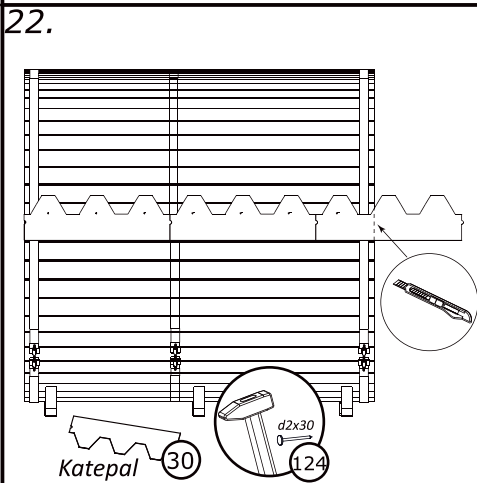
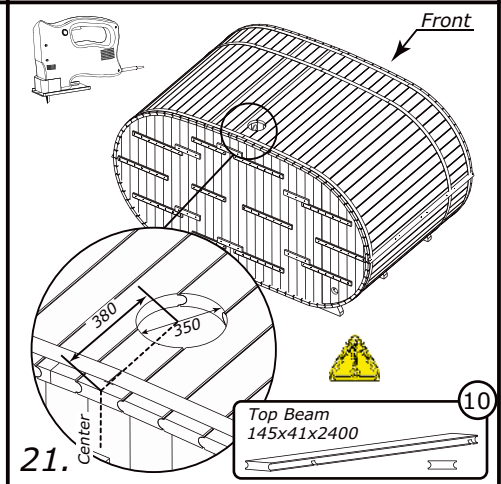
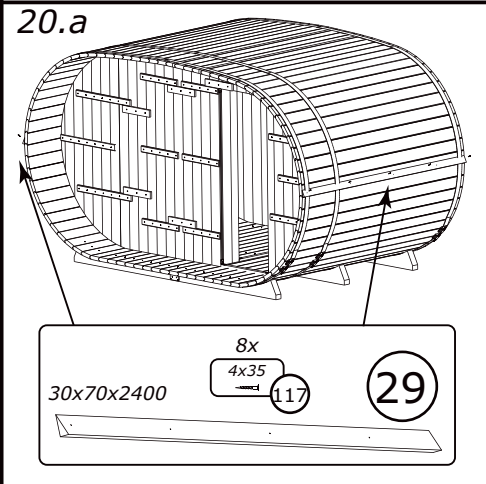
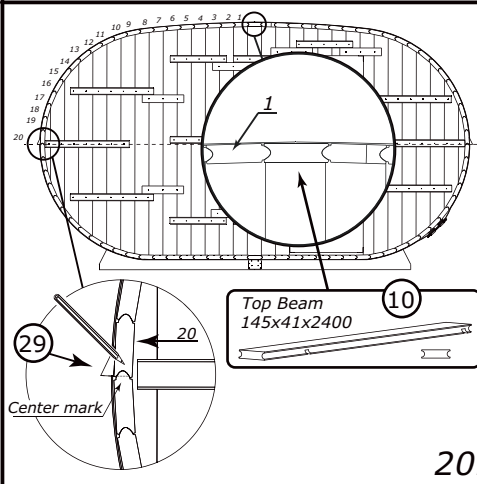
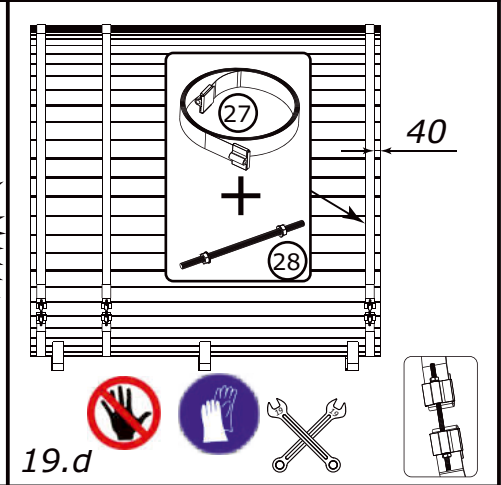
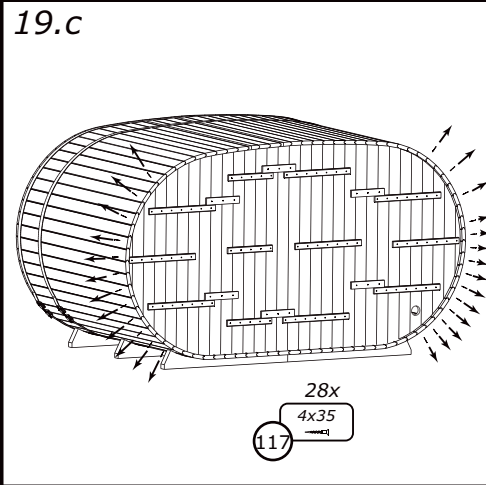
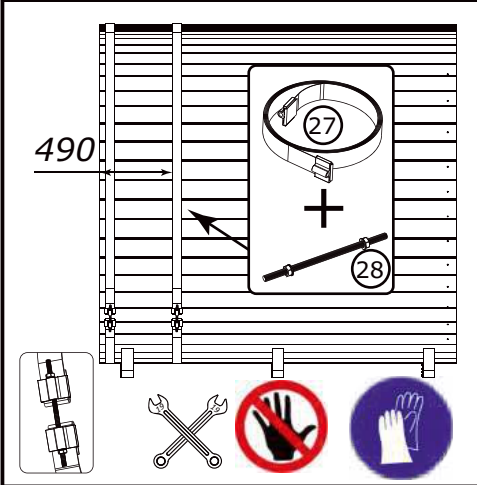


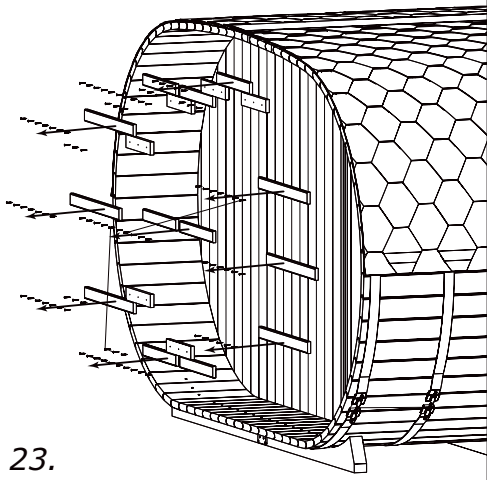




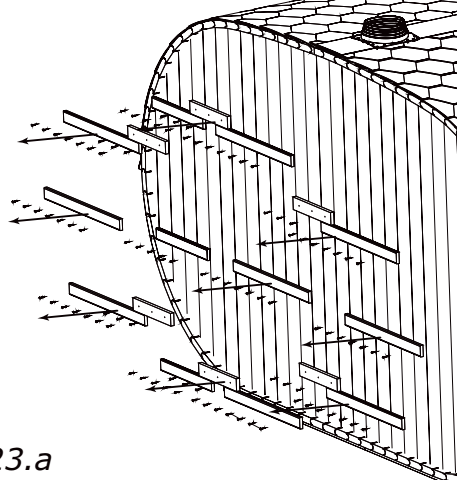
R1	52	53	54
R2	55	56	57
R3	58	59	60-1
R4	60-2	61	62
R5	63	64	65-1
R6	65-2	66	67
R7	68	69	70-1
R8	70-2	71	72
R9	73	74	75-1
R10	75-2	76	77
R11	78	79	80-1
R12	80-2	81	82
R13	83	84	85-1
R14	85-2	86	87
R15	88	89	90-1
R16	90-2	91	92
R17	93	94	95-1
R18	95-2	96	97
R19	98	99	100-1
R20	100-2	101	102
L20	49-2	50	51
L19	47	48	49-1
L18	44-2	45	46
L17	42	43	44-1
L16	39-2	40	41
L15	37	38	39-1
L14	34-2	35	36
L13	32	33	34-1
L12	29-2	30	31
L11	27	28	29-1
L10	24-2	25	26
L9	22	23	24-1
L8	19-2	20	21
L7	17	18	19-1
L6	14-2	15	16
L5	12	13	14-1
L4	9-2	10	11
L3	7	8	9-1
L2	4	5	6
L1	1	2	3



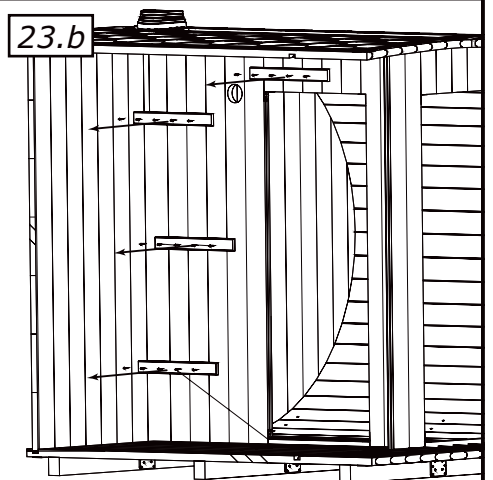




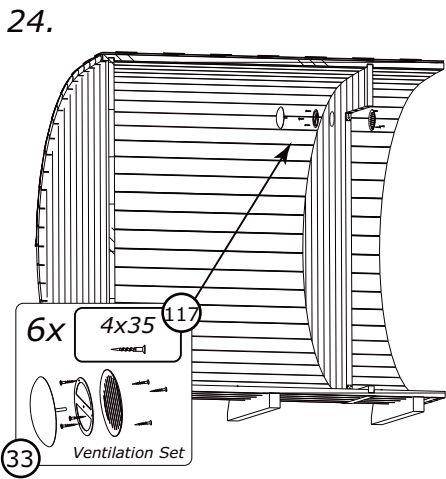
23.



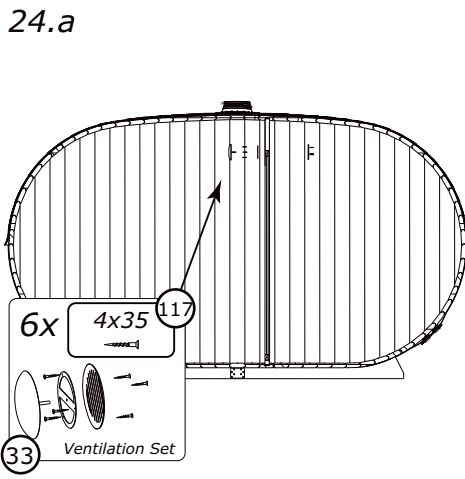
23.a



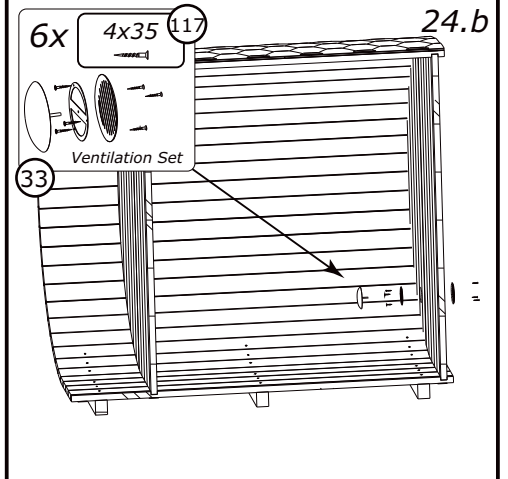
23.b



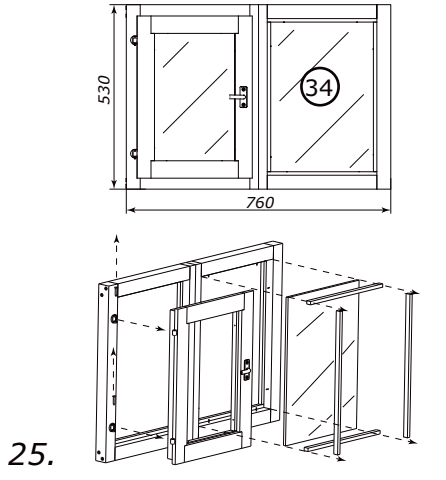
24.



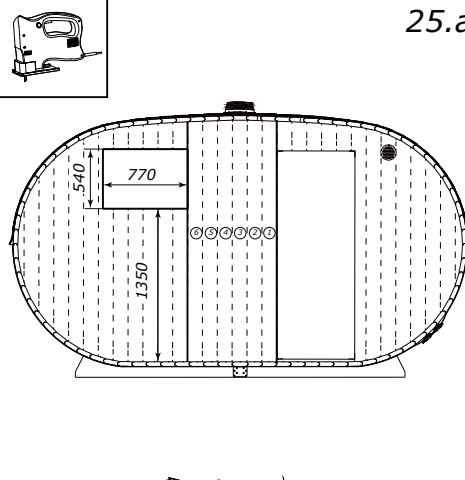
24.a



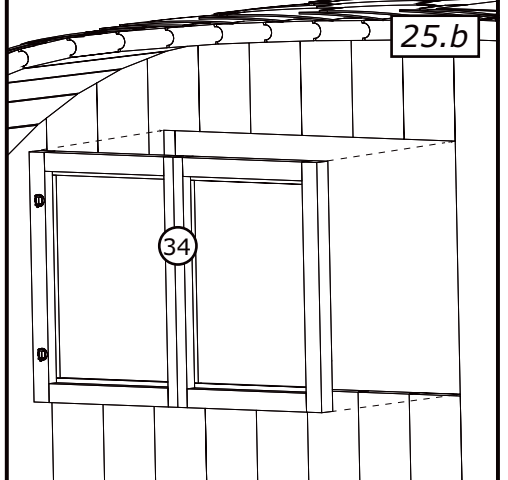
24.b



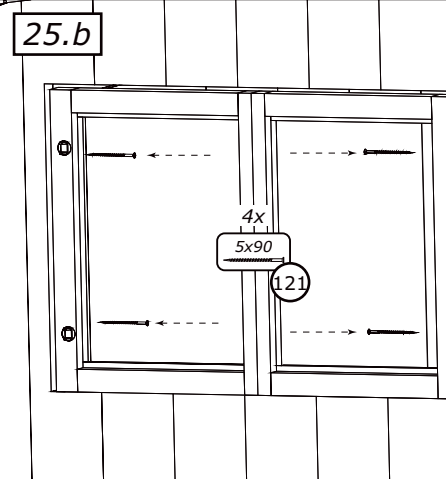
25.



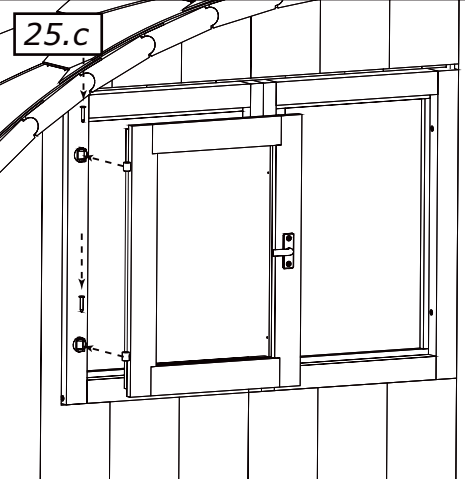
25.a



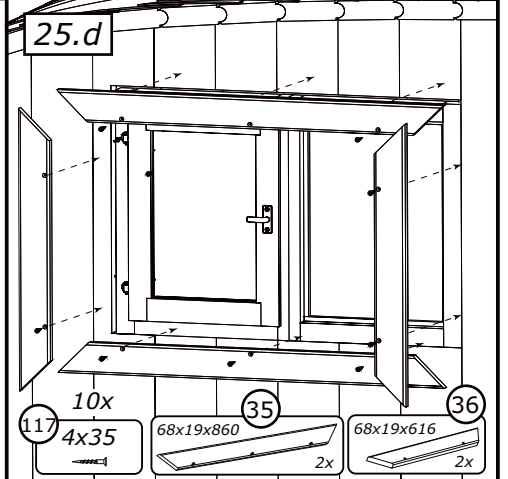
25.b



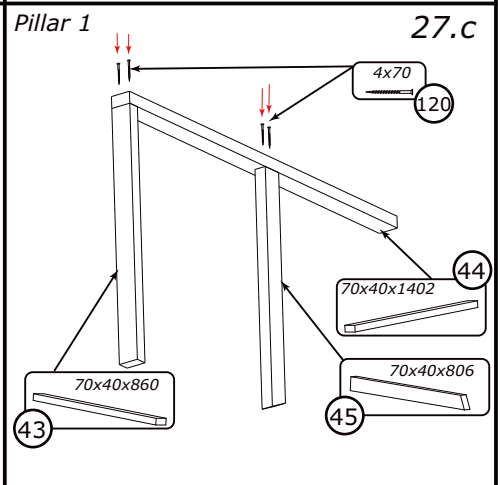
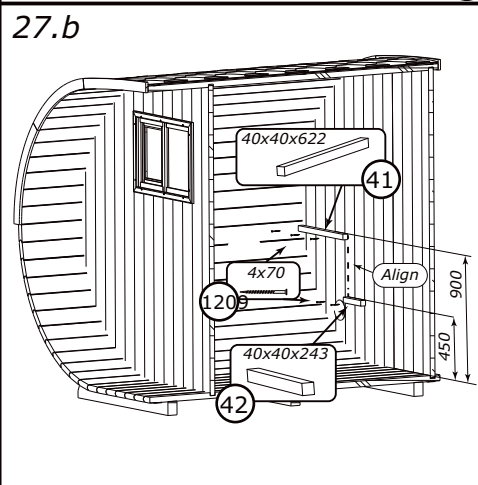
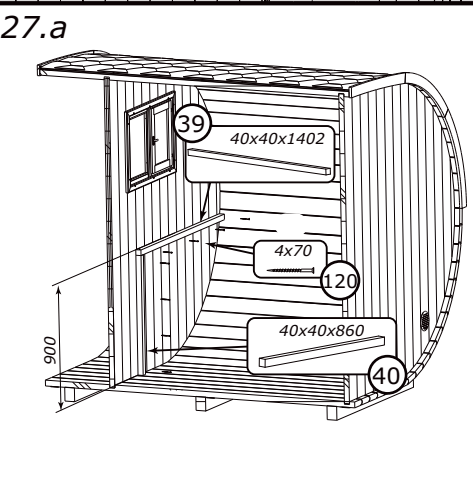
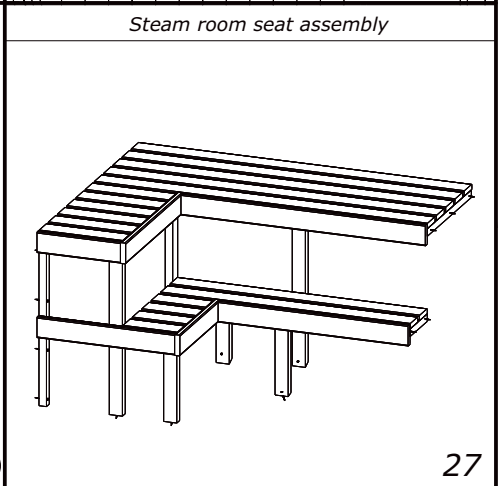
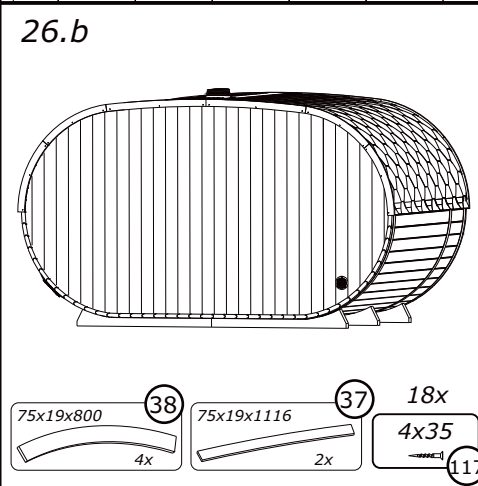
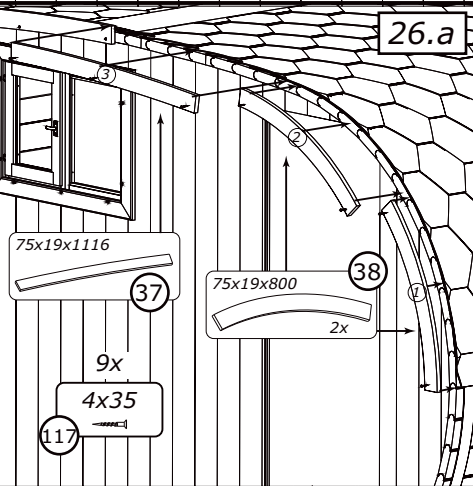
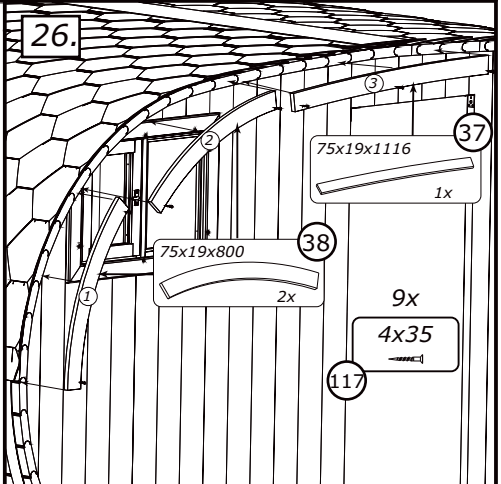
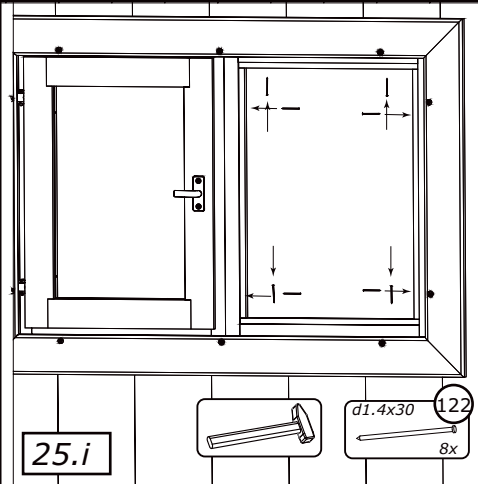
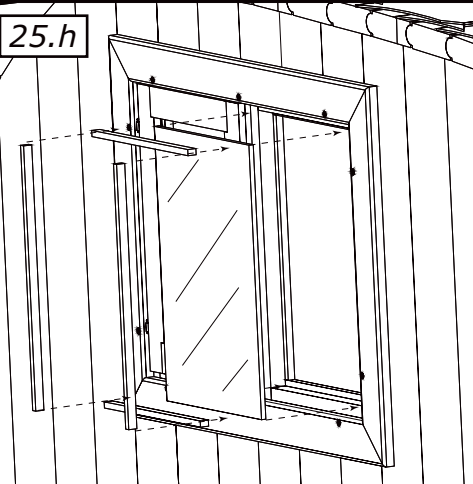
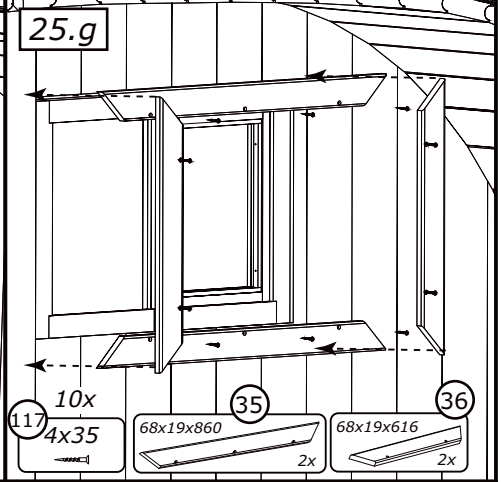
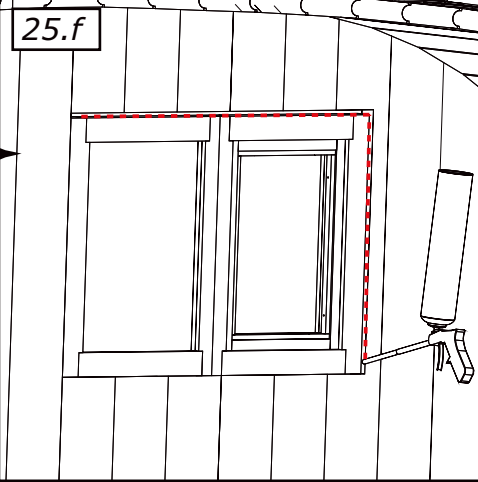
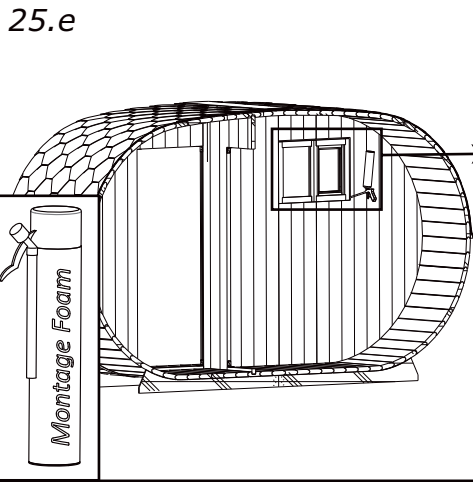
25.b

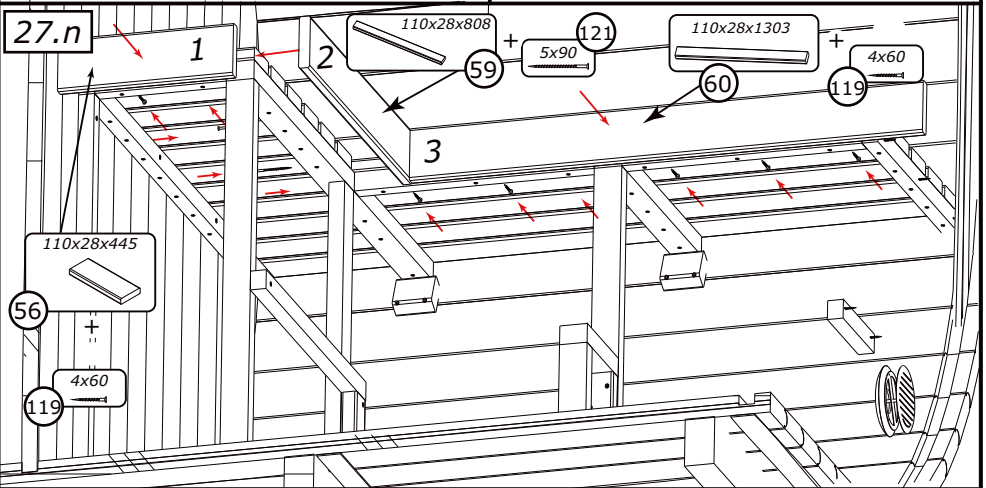
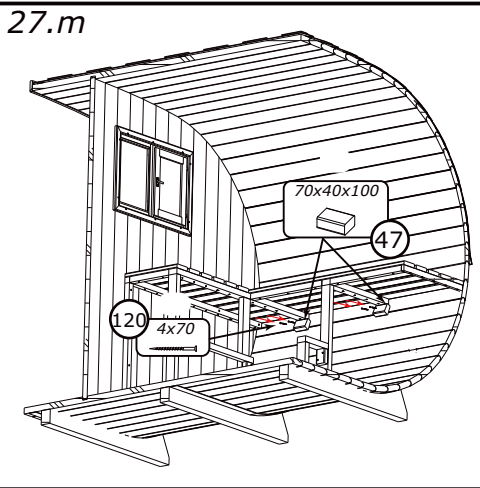
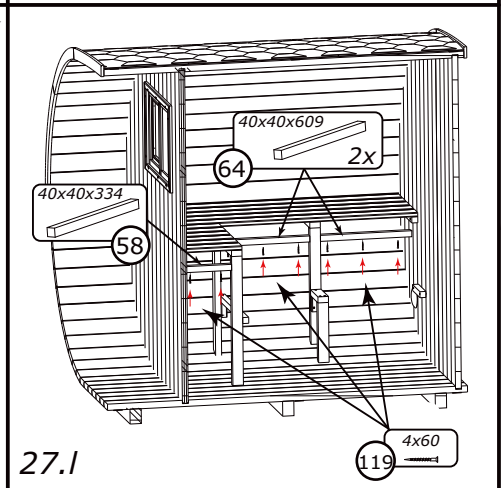
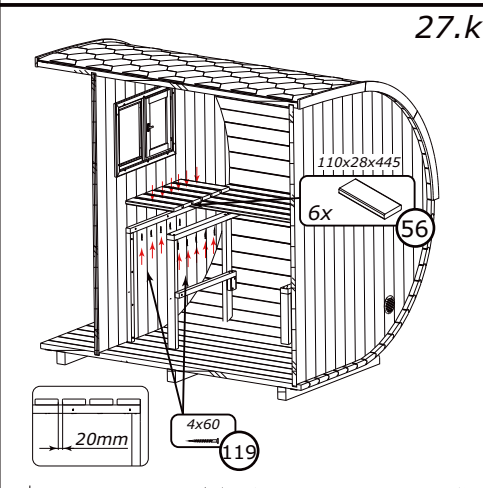
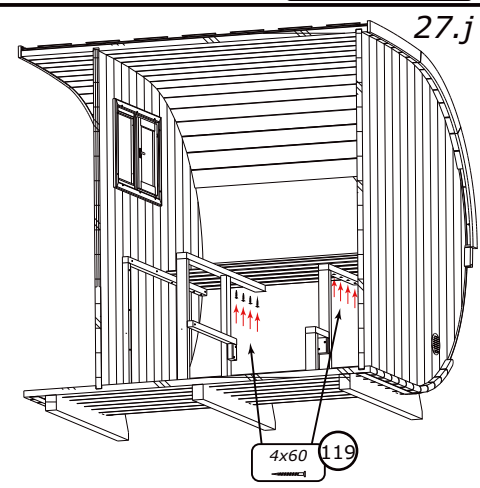
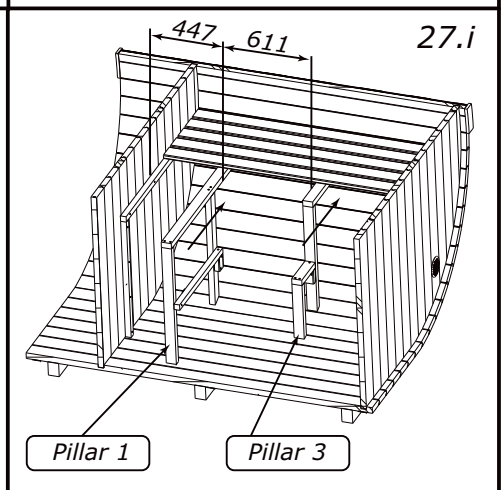
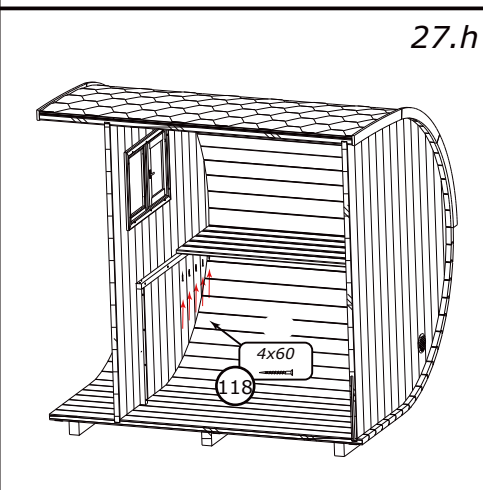
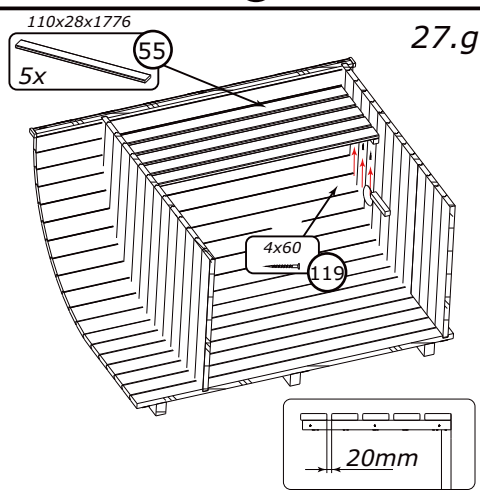
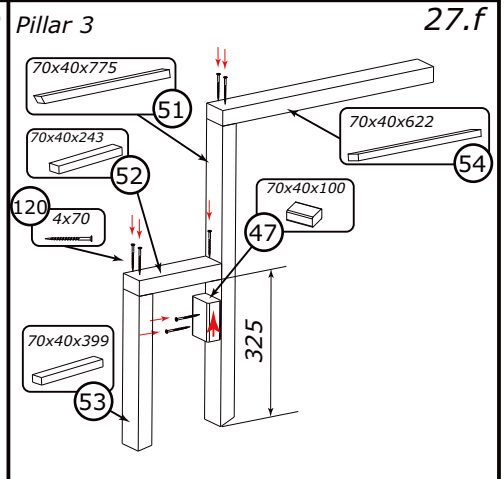
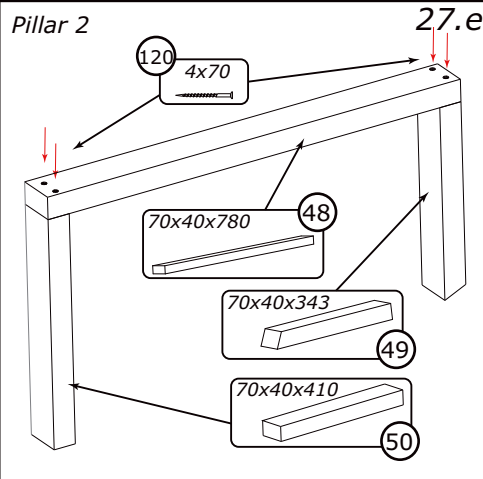
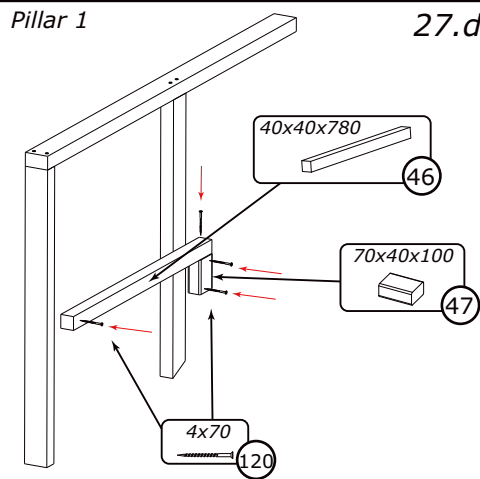


25.c

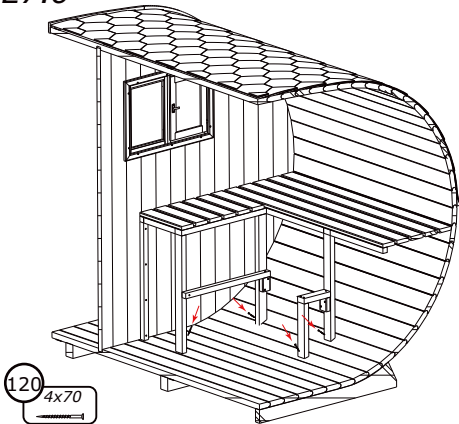


25.d

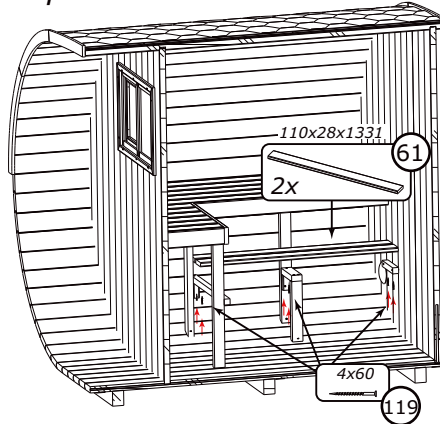




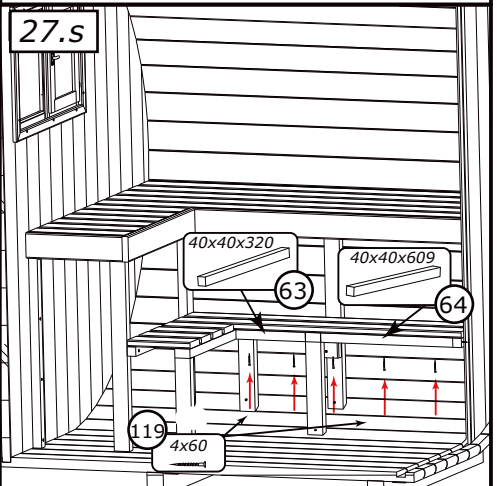
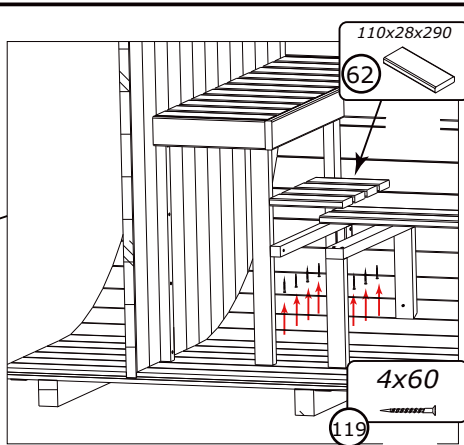
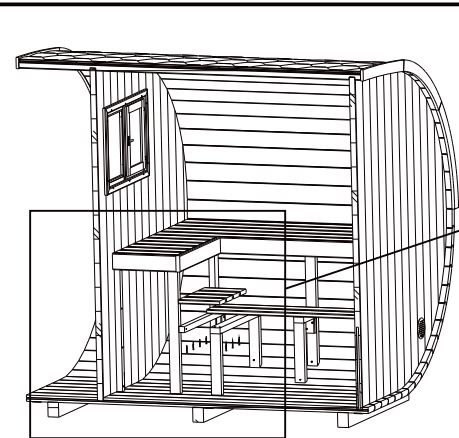
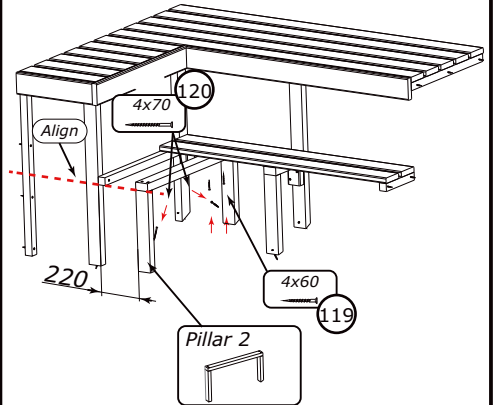
27.o



27.p



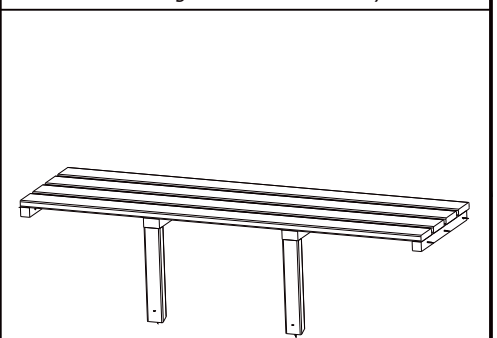
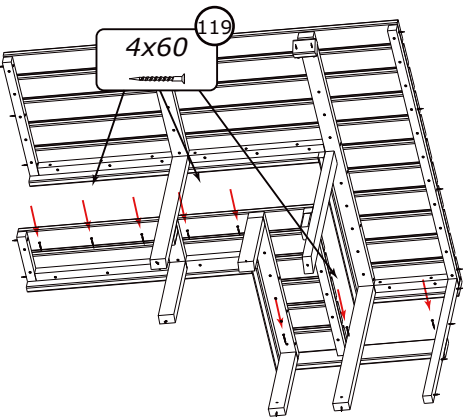
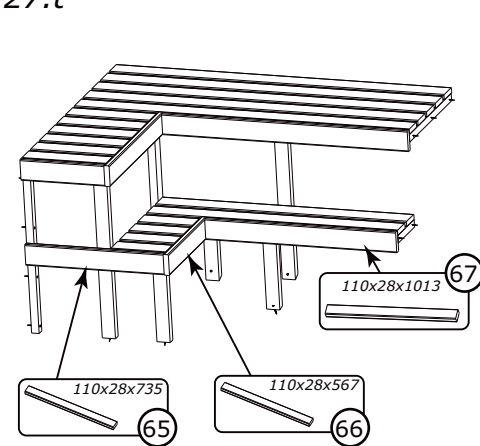
27.q



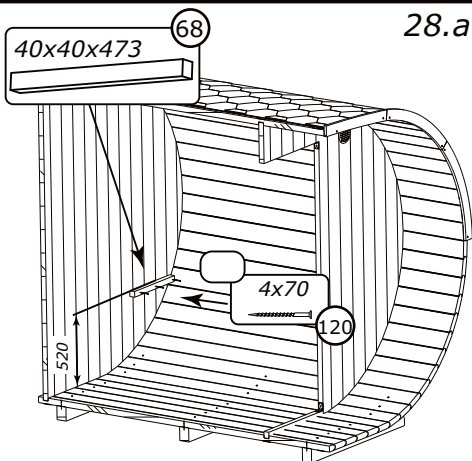
27.r

Dressing room seat assembly

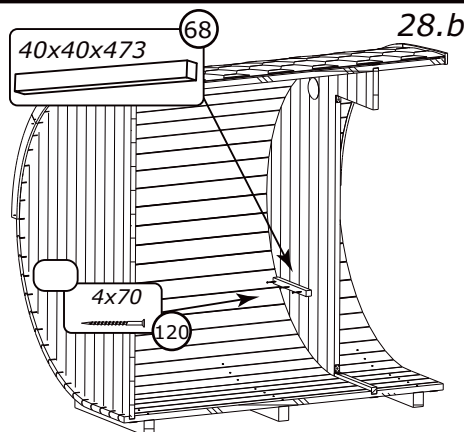
27.t



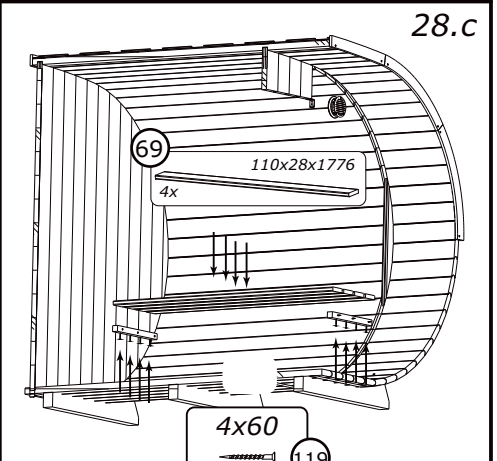
28



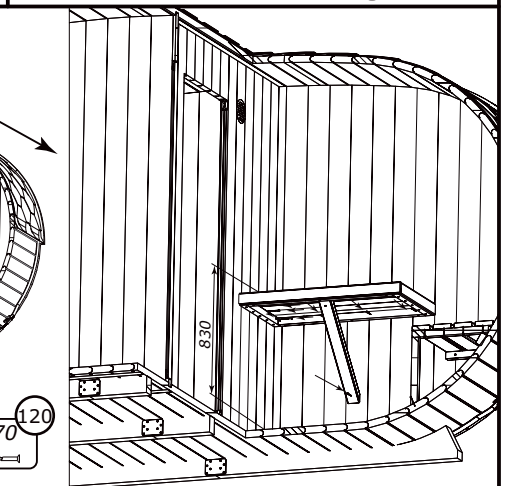
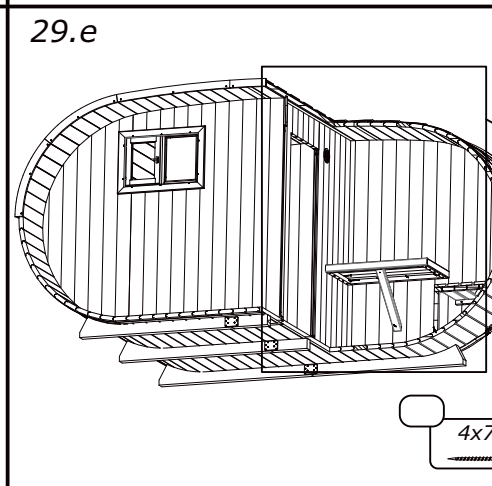
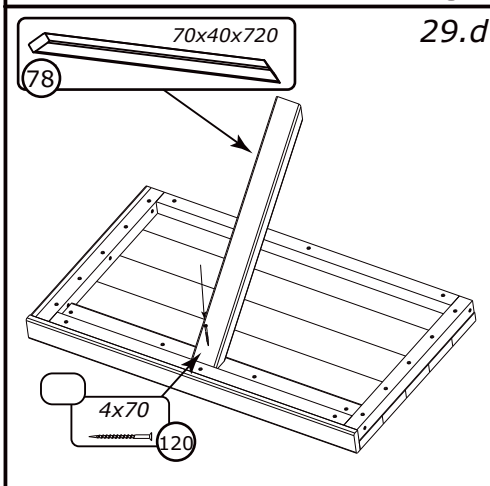
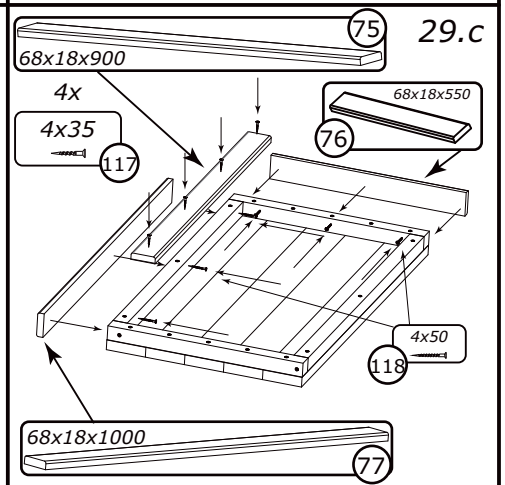
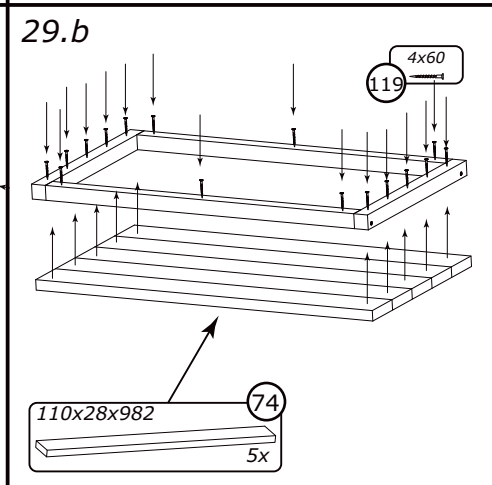
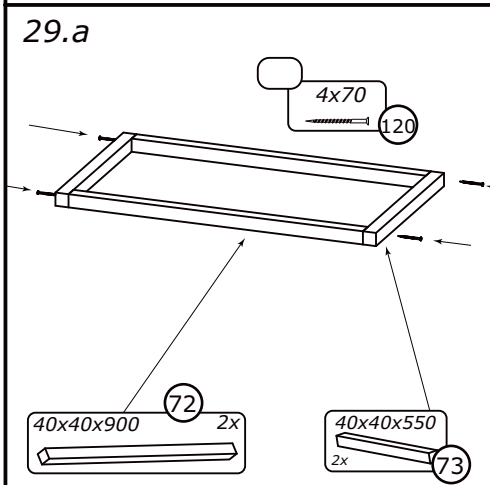
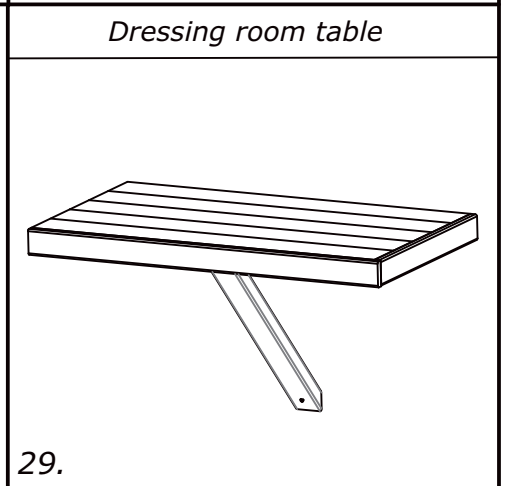
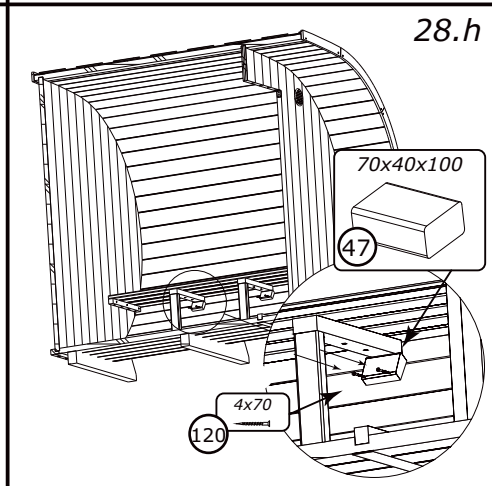
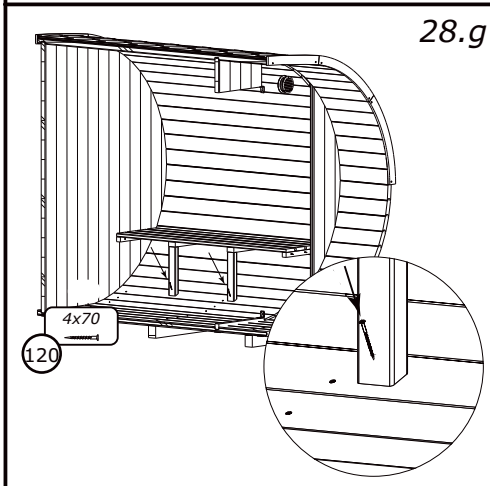
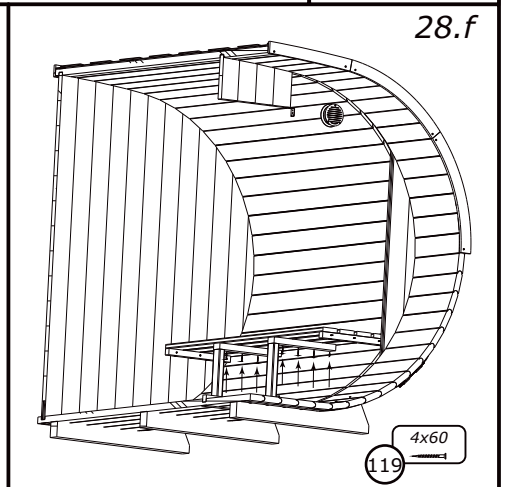
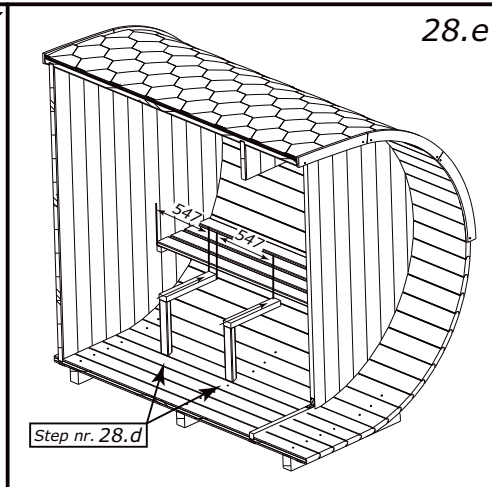
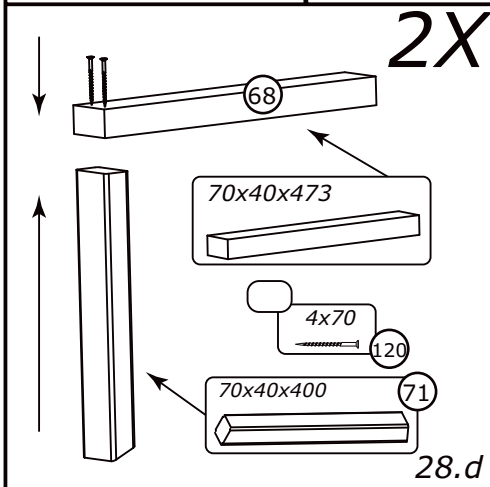
28.a



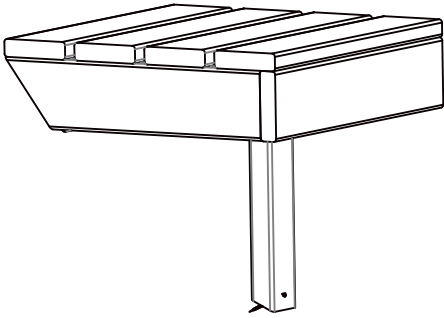
28.b



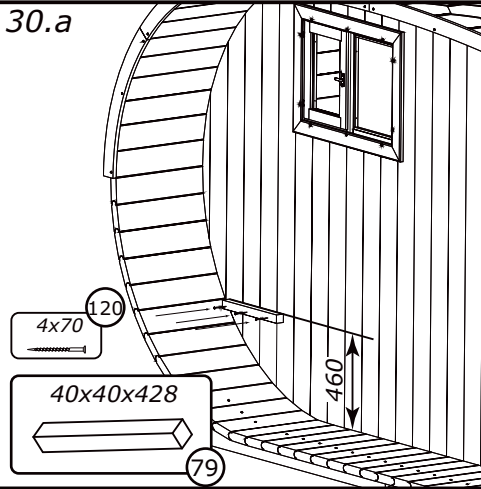
28.c



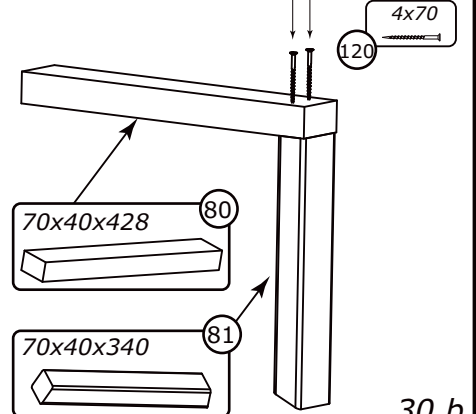
Verandah left seat



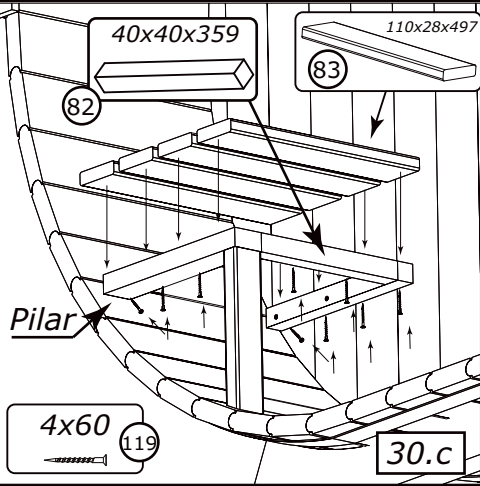
30.a



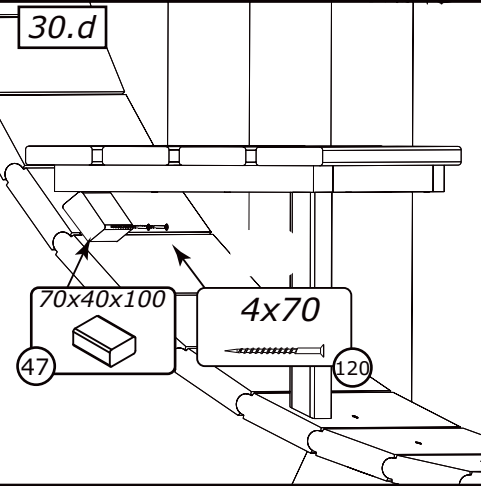
Pilar



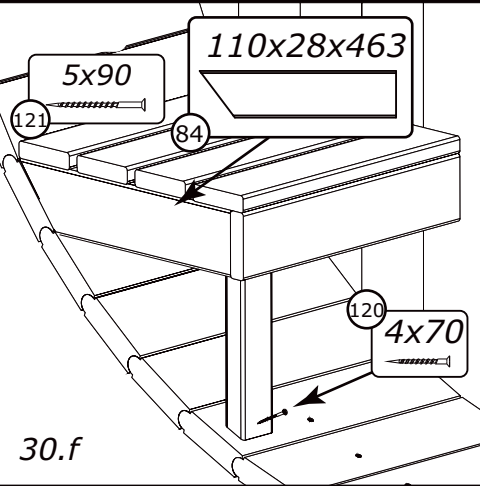
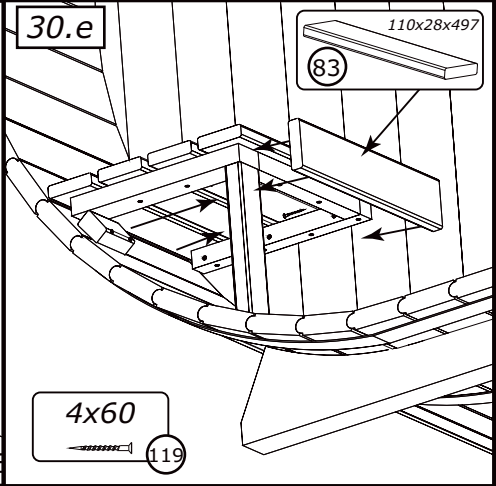
30.



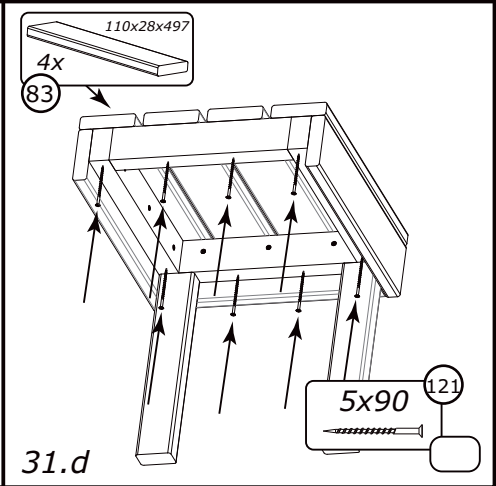
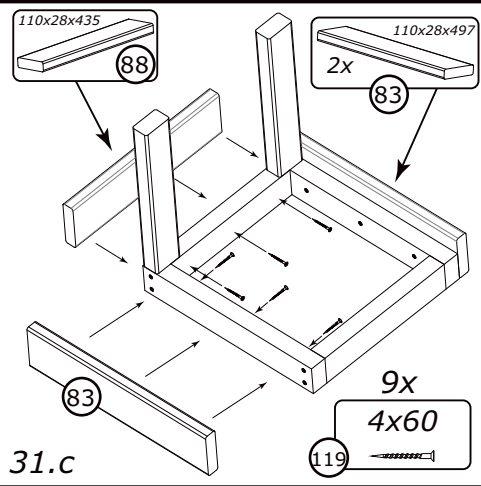
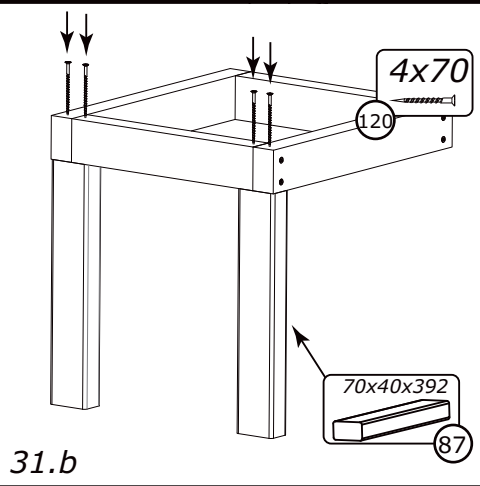
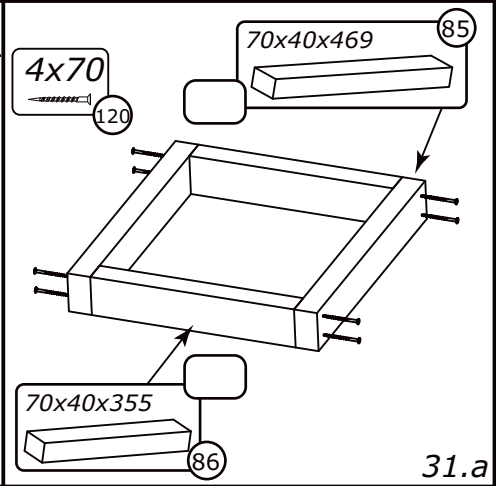
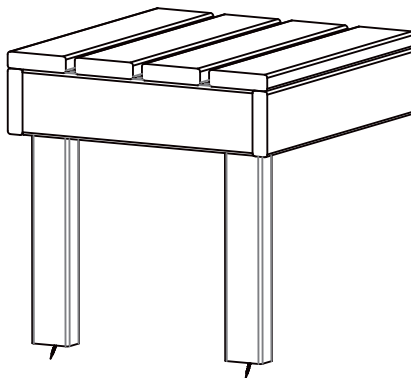
30.d



30.e



Verandah right seat



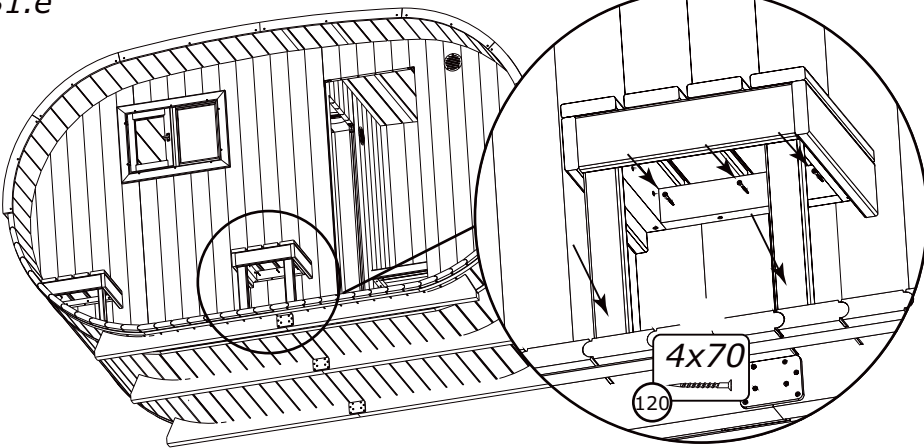
31.b

31.c

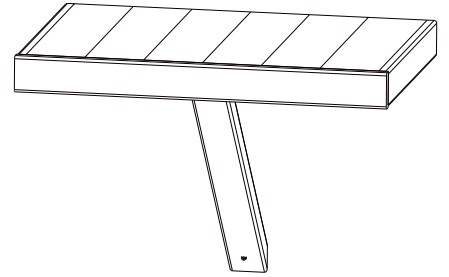
31.d

31.a

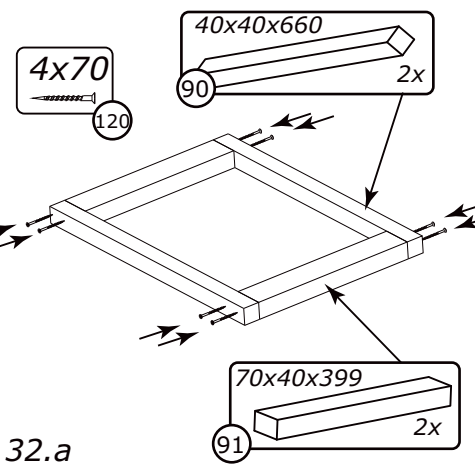
31.e



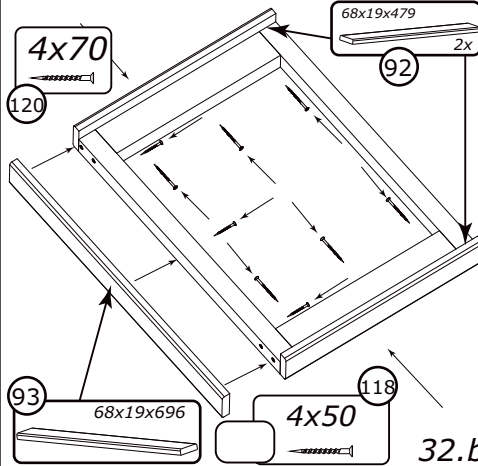
Verandah table



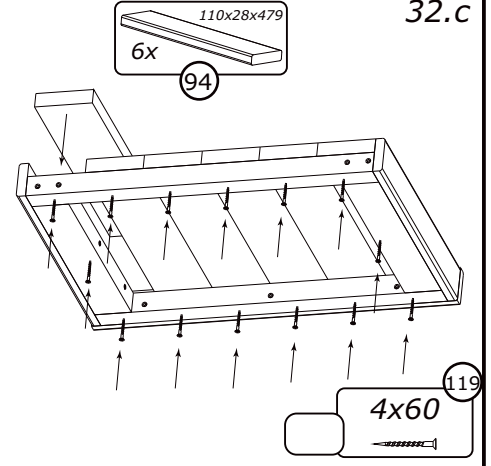
32



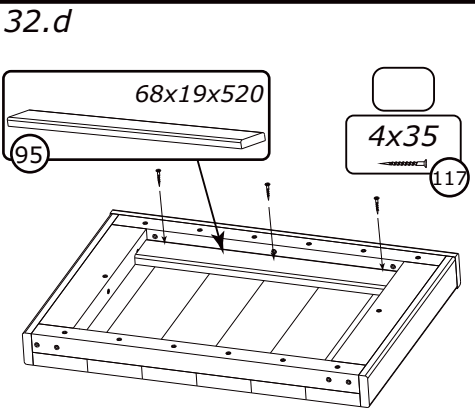
32.a



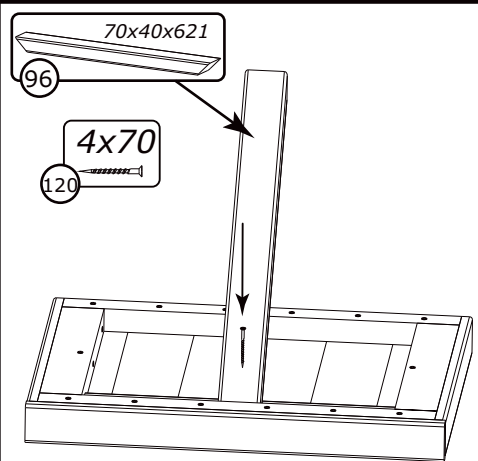
32.b



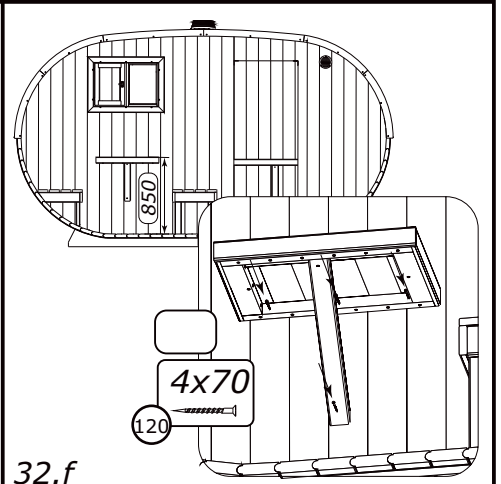
32.c



32.d

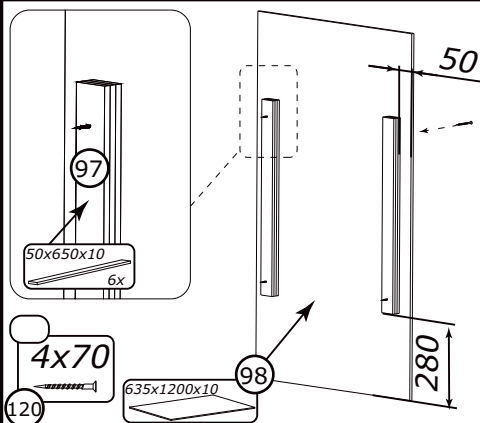


32.e

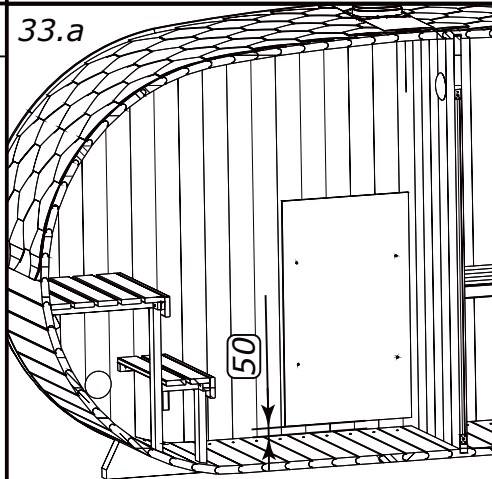


32.f

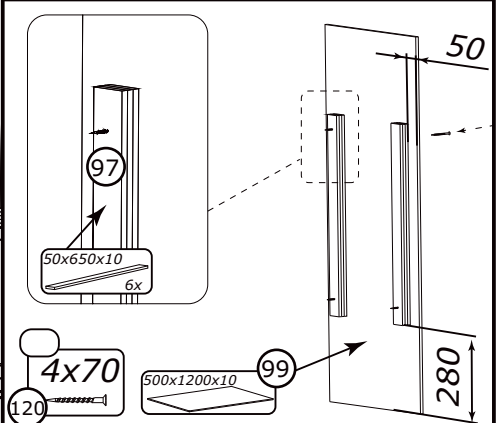
33.Fireproof panel 1



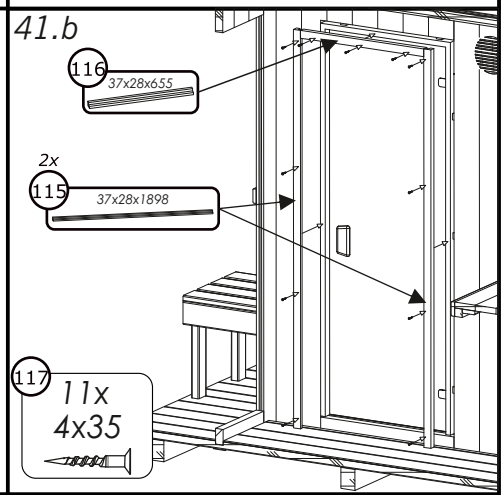
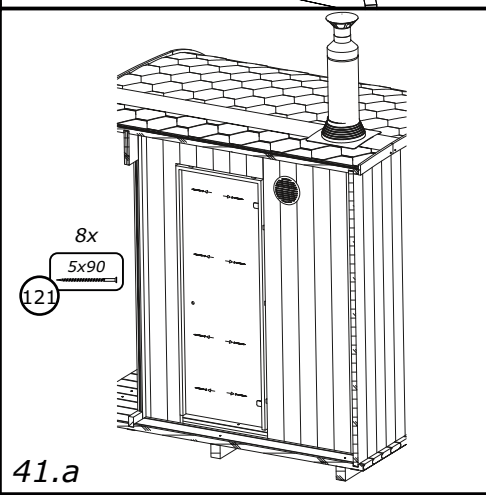
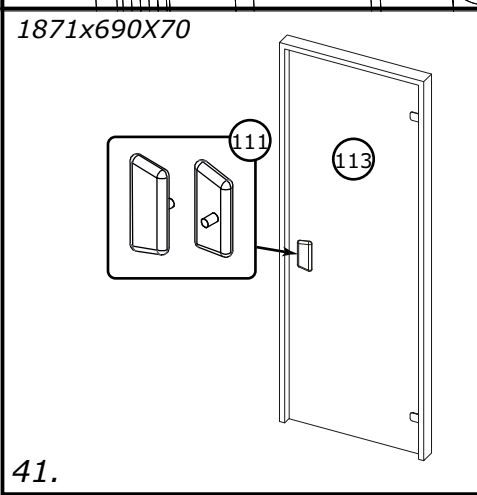
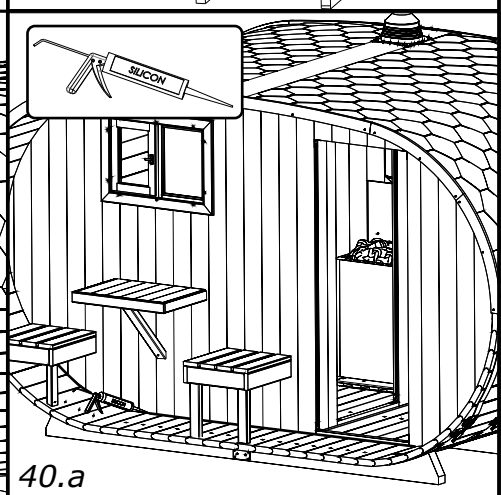
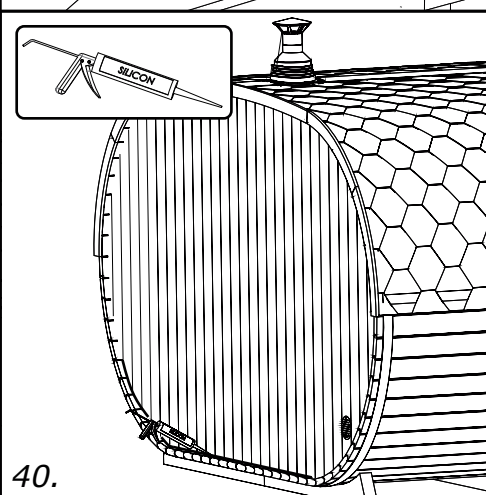
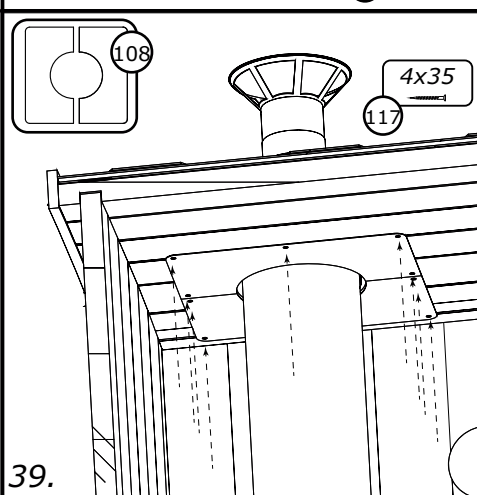
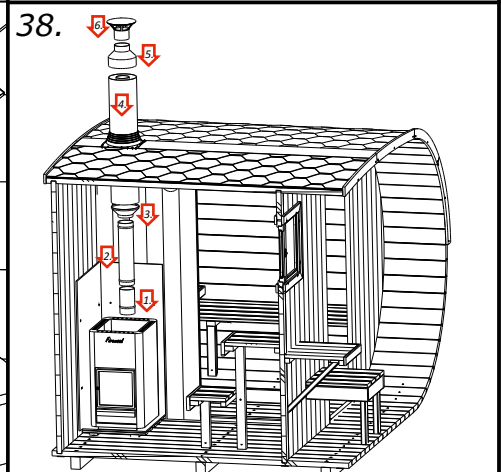
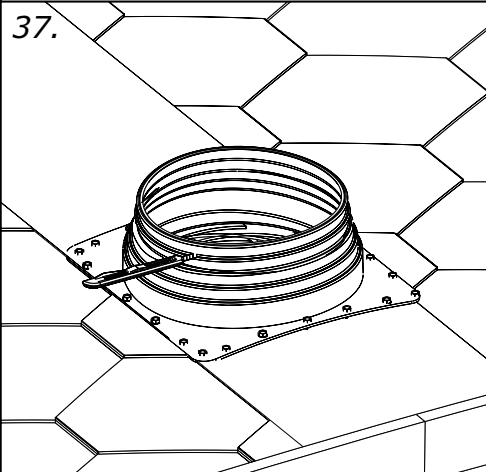
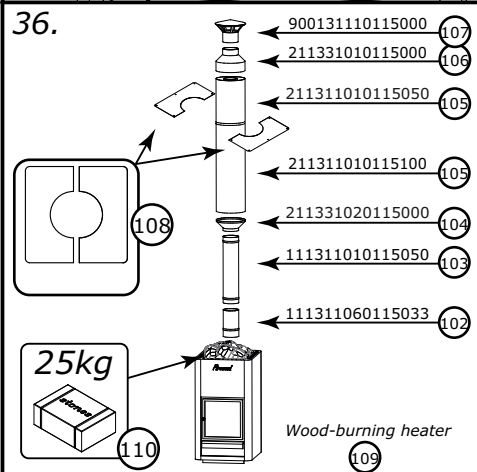
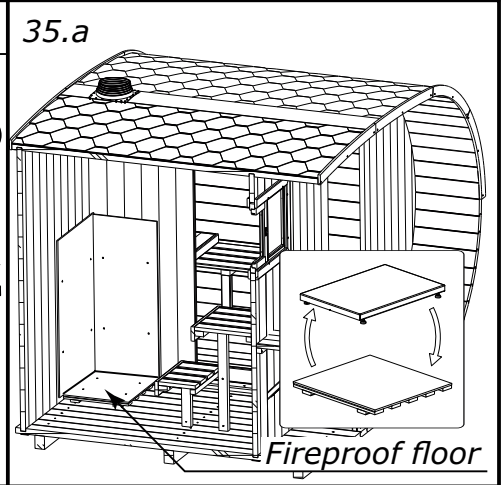
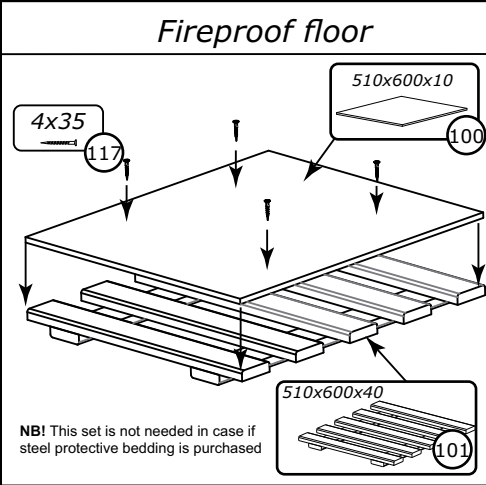
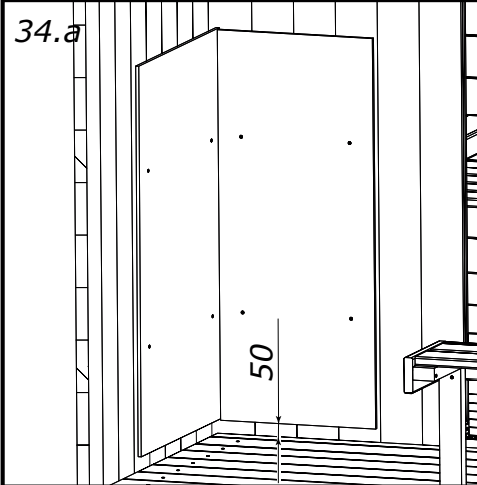
33.a

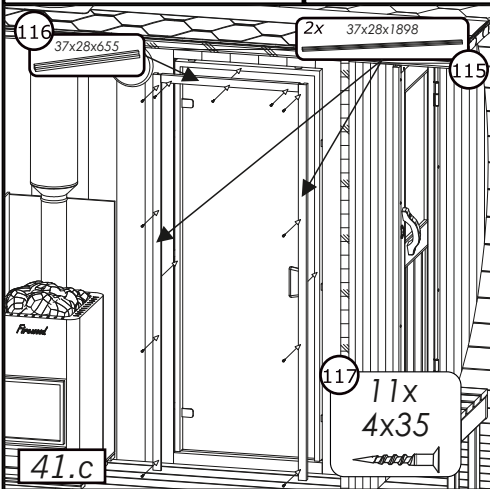


34.Fireproof panel 2

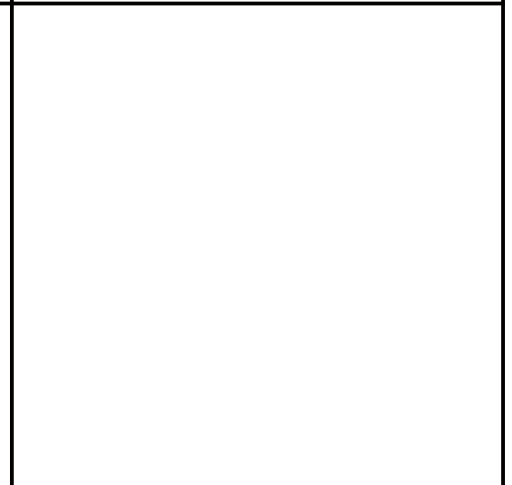
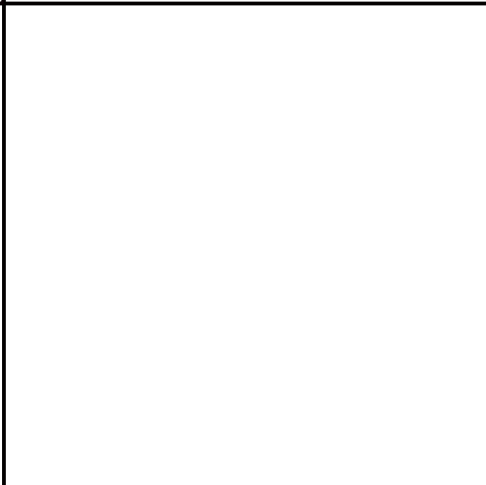
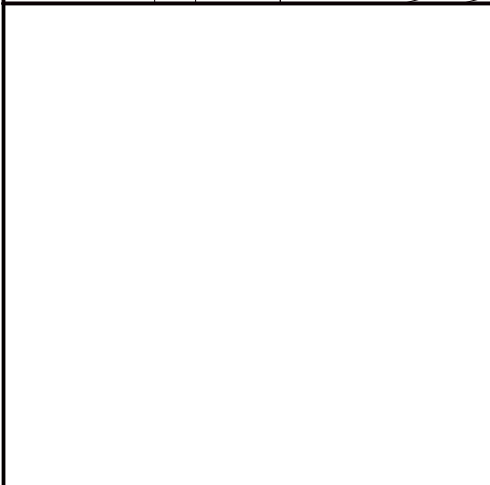
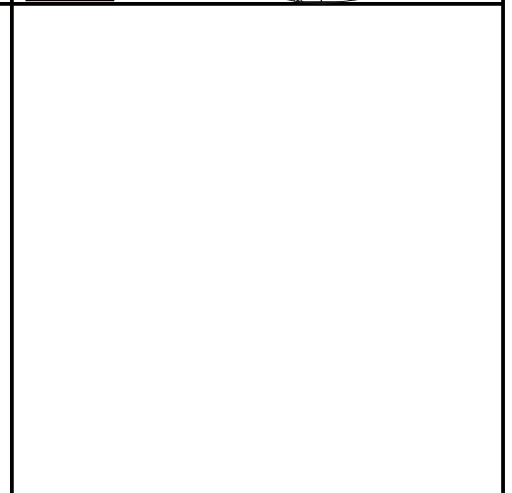
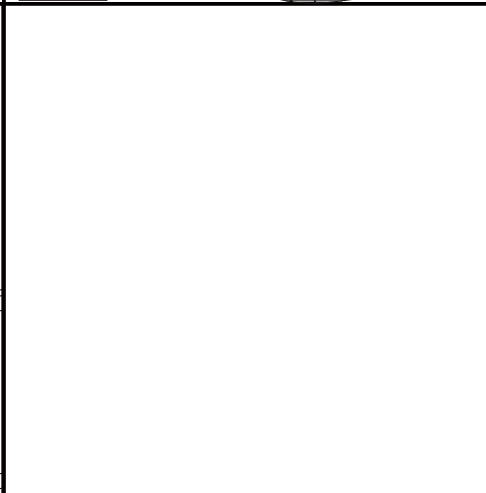
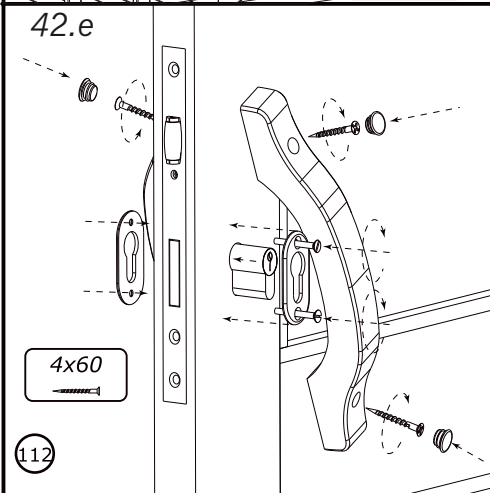
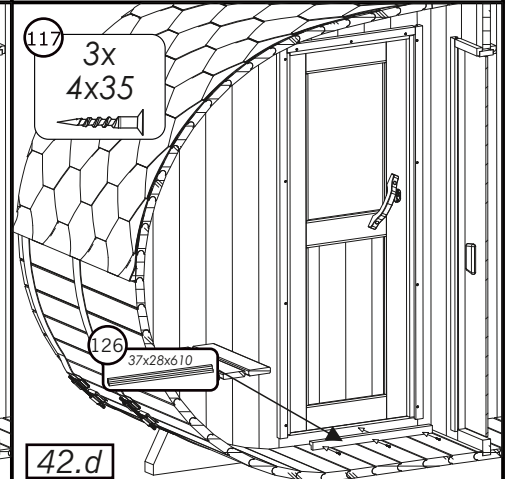
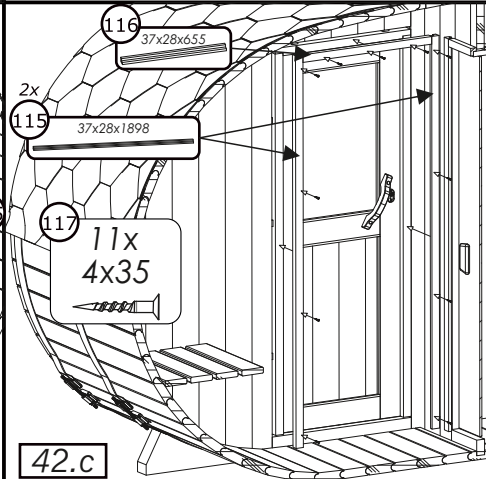
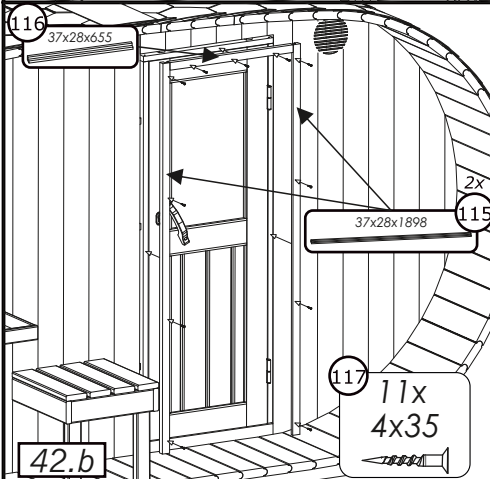
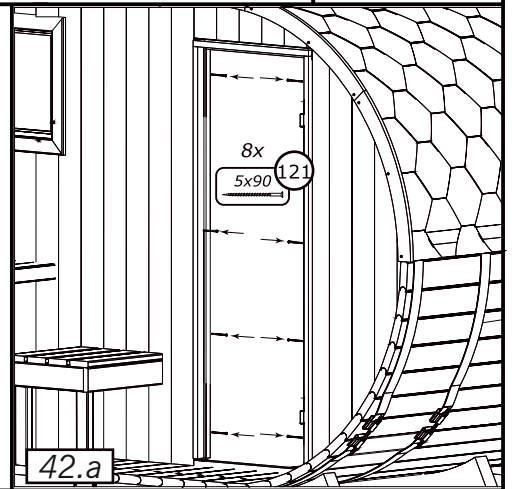
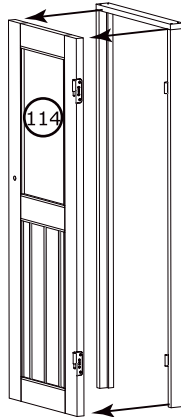
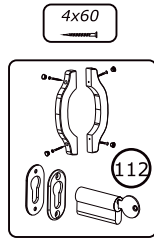


34

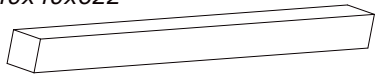



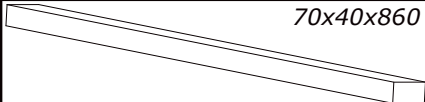
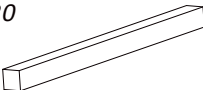
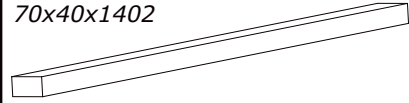
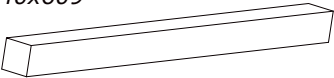
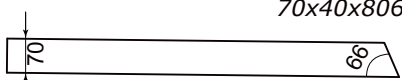

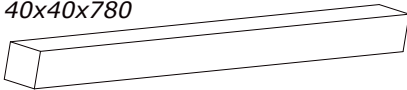

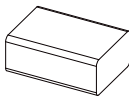

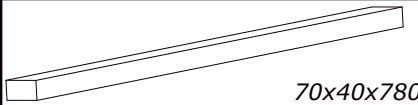

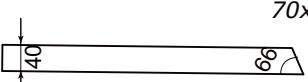

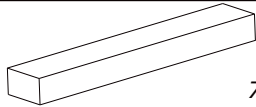
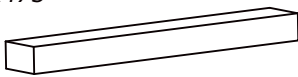
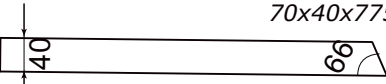
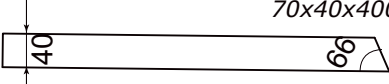
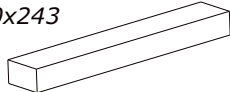
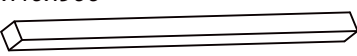
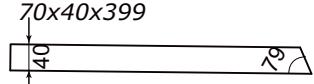

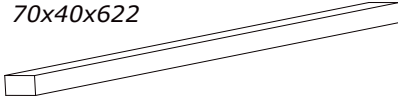

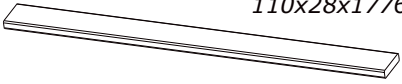

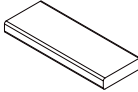


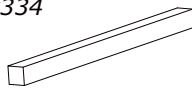
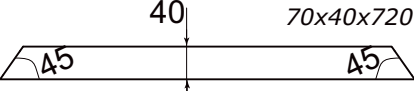
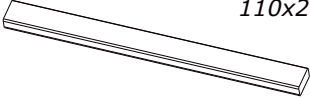
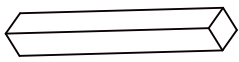






1871x690X70



1	75x200x1495	6	21		818x2220x58	1		
2	125x90x9	6	Inner wall	22	340x2220x40	1		
3	145x41x2400	40		23	683x255x58	1		
4	145x41x2400	36		24	40x75x708	1		
5	145x41x2400	1		25	50x50x35	4		
6	145x41x2400	1	26	75x22x400	12			
7	145x41x2400	1	27	L10850	3			
8	100x41x2400	2	28		3			
9	45x41x2400	2	29	30x70x2400	2			
10	145x41x2400 Top Beam	1	30	1000x315 Katepal	104			
11-14	Rear wall	11	683x2226x58	1	31	Asphalt L2400	1	
		12	1089x2232x58	1	32		1	
		13	1160x2191x58	1	33	Ventilation Set	3	
		14	1168x2191x58	1	34	760x530	1	
15-20	Front wall	15	548x2232x58	1	35	68x19x860	4	
		16	683x2226x58	1	36	68x19x616	4	
		17	1160x2191x58	1	37	75x19x1116	4	
		18	683x257x58	1	38	75x19x800	8	
		19	1040x2178x58	1	39-40	Steam room seat	40x40x1402	1
		20	40x75x708	1			40x40x860	1

41	40x40x622 	1	61	110x28x1331 	2
42	40x40x243 	1	62	110x28x290 	4
43	70x40x860 	1	63	40x40x320 	1
44	70x40x1402 	1	64	40x40x609 	3
45	70x40x806 	1	65	110x28x735 	1
46	40x40x780 	1	66	110x28x567 	1
47	70x40x100 	7	67	110x28x1013 	1
48	70x40x780 70x40x343 	1	68	40x40x473 	2
49	70x40x343 	1	69	110x28x1776 	4
50	70x40x410 	1	70	70x40x473 	2
51	70x40x775 	1	71	70x40x400 	2
52	70x40x243 	1	72	40x40x900 	2
53	70x40x399 	1	73	40x40x550 	2
54	70x40x622 	1	74	110x28x982 	5
55	110x28x1776 	5	75	68x18x900 	1
56	110x28x445 	7	76	68x18x550 	1
57	-----/----- -----	-----	77	68x18x1000 	1
58	40x40x334 	1	78	40 70x40x720 	1
59	110x28x808 	1	79	40x40x428 	1
60	110x28x1303 	1	80	70x40x428 	1

Steam room seat

Steam room seat

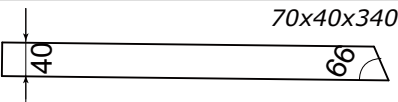
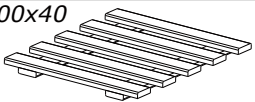
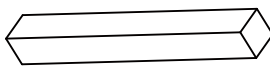


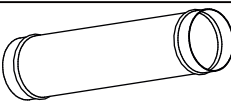
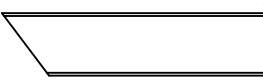




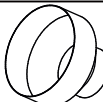
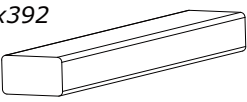
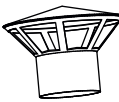
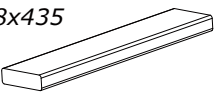
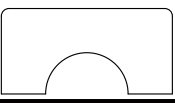
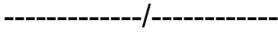
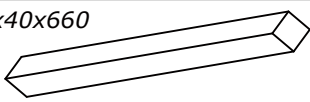
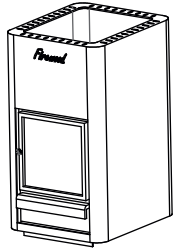
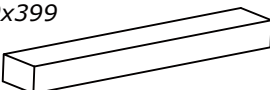

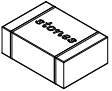

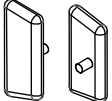

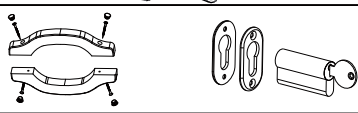

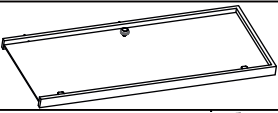
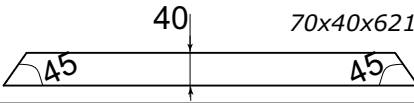
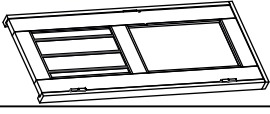
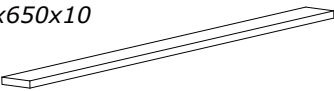

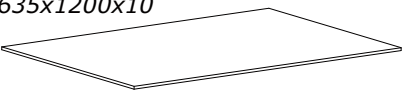

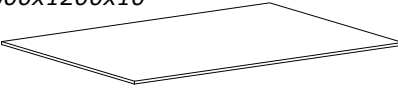

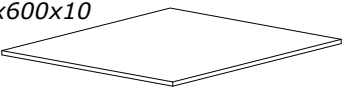

Steam room seat





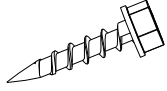
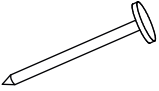
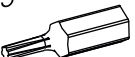

Steam room seat

Dressing room seat

Dressing room table

Verandah left seat

81	Verandah left seat		1	101		1	
82			1	102	L150 	1	
83			11	103	L500 	1	
84			1	104	d115 to D215 	1	
85	Verandah right seat		2	105	Chimney 	D215x1000 1 D215x500 1	
86			2	106		D215 to d115 	1
87			2	107		D115 	1
88			1	108			2
89			-----				
90	Verandah table		2	109	Heater 	1	
91			2				
92			2	110		400x285x150 	1
93			1	111			Set
94			6	112			Set
95			1	113		1870x690 	1
96			1	114		1870x690 	1
97			12	115		37x28x1898 	8
98		1	116	37x28x655 	4		
99		1	117	4x35 	160		
100		1	118	4x50 	20 pcs 50 gramms		

(119)	4x60 	198 pcs / 594 gramms		
(120)	4x70 	150 pcs / 525 gramms		
(121)	5x90 	44 pcs / 308 gramms		
(122)	1.4x30 	10		
(123)	8xL30 	36 pcs / 180 gramms		
(124)	2xL30 	450 pcs / 675 gramms		
(125)	T15, T20, T25 	1+1+1		
(126)	37x28x610 	1		