



DROP

ENG

ELECTRIC SAUNA HEATER

3-15

FR

POÊLE ÉLECTRIQUE

17-29



IPX4



info@huumsauna.com

www.huumsauna.com



HUUM DROP

ELECTRIC SAUNA HEATER

Installation and operation manual

NB! The following instructions for electrical works must be carried out by a certified electrician.

NB! We strongly recommend a specialist to lay the stones on the heater.

NB! This appliance is not intended for use by persons (including children) with reduced physical, sensory or mental capabilities, or lack of experience and knowledge, unless they have been given supervision or instruction concerning use of the appliance by a person responsible for their safety.

NB! Children should be supervised to ensure that they do not play with the appliance.

NB! The installation instructions for appliances for public saunas that do not have a timer shall state that a pilot lamp showing that the heater is switched on is to be installed in the attendant's room. The previously provided manual does not contain this information.

The safety of the products is based on EN 60335-2-53: 2011 "Household and similar electrical appliances. Safety. Part 2-53: Particular requirements for sauna heating appliances and infrared cabins".

The set includes:

- electric heater;
- wall mount;
- installation and operation manual;
- DROP 7 and 9 model of electric heater includes a heat diverter and heating element retainer.

NB! HUUM DROP electric heater requires a control panel and stones. The product installation should be complete.

This installation and operation manual is intended for use by the sauna owner or maintenance person as well as the electrician responsible for the installation of the heater. Before using the heater, please read the instructions carefully.

NB! The electrical work described in this manual may only be performed by a certified electrician.

BEFORE INSTALLATION

Before installing the heater, please read the installation instructions and pay attention to the following:

- Check before installing the electric heater that the maximum amperage of the main fuse matches the heater parameters.
- Does the heater output (kW) match the volume (ft³ /m³) of the sauna room? In case there are any uninsulated brick, tile, glass or log walls in the sauna room, an additional calculated volume of 53 ft³ (1.5 m³) should be added to the sauna room for each such square meter of the wall. The suitable output of the heater can be found in **Table 2** and **Table 3**.
- Are minimal safety distances ensured at the installation site of the heater? Minimal safety distances between the sauna room's ceiling and walls in view of installing the electric heater have been provided in **Table 1**.

NB! The manufacturer's warranty is not valid, if the output of the heater does not correspond to the calculated volume of the sauna room.

INSTALLATION

Positioning of the heater

The heater should be positioned in such a way that there is a safe distance between flammable materials and external surfaces of the heater.

- Check **Table 1** for minimal safety distances between the heater, sauna room's ceiling and walls.
- Place the heater in such a way that its location does not create dangerous situations during use and the possibility of accidental contact with the heater would be minimized.
- Before installing, remove the protective film from the steel plate behind the heater.
- Keep in mind that the full weight of the heater with stones is 143.3 lb (65 kg) and ensure that the wall structure is strong enough for it. Attach the frame of the heater to the wall.
- **NB! DROP 7 and 9 sauna heater set includes a heat diverter and heating element retainer for which installation instructions have been provided separately.**

The input of the power cable is located on the back of the heater. The exact position of the cable on the wall is measured in relation to the heater mounting plate and has been indicated in **Figure 1**.

Table 1.	A	B	C	D	E	MIN gap
DROP 4	4 in 100 mm	23.3 in 590 mm	17.1 in 435 mm	6.7 in 170 mm	12.2 in 310 mm	47.3 in 1200 mm
DROP 6	4.8 in 120 mm	24.8 in 630 mm	17.9 in 455 mm	7.5 in 190 mm	12.2 in 310 mm	47.3 in 1200 mm
DROP 7	5.5 in 140 mm	26.4 in 670 mm	18.7 in 475 mm	8.3 in 210 mm	12.2 in 310 mm	47.3 in 1200 mm
DROP 9	5.9 in 150 mm	27.2 in 690 mm	19.1 in 485 mm	8.7 in 220 mm	12.2 in 310 mm	47.3 in 1200 mm

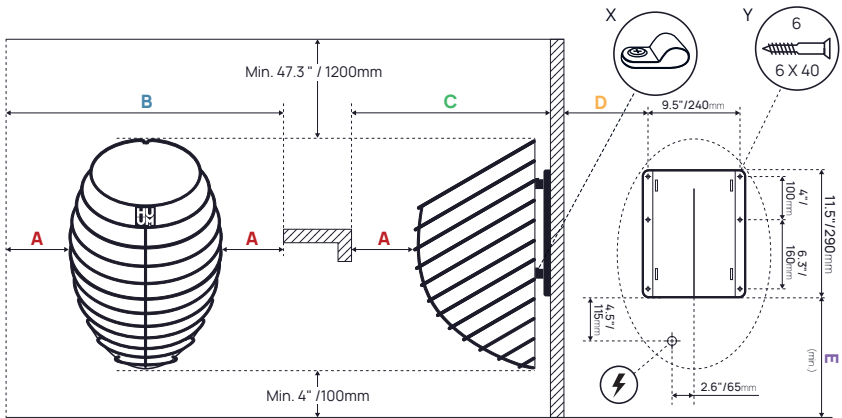


Figure 1. Positioning of the heater

Installing an electric heater inside the sauna bench

HUUM DROP electric heater can also be partially mounted inside the sauna bench or sauna floor.

- At least **14.8 in (375 mm)** of the submerged heater should protrude from the sauna bench surface;
- To cover the edges of the immersion hole use the embedding flange of **HUUM DROP** electric heater.

The embedding flange of **HUUM DROP electric heater** is an accessory that you can request from your HUUM product distributor. A user manual for the embedding flange is provided with the product.

The maximum permissible immersion of the heater has been provided in **Figure 2**.

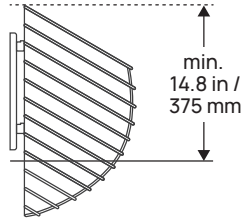


Figure 2. Installing HUUM DROP electric heater inside the sauna bench

Connecting the heater to the power supply

NB! Only a certified electrician is allowed to connect the heater to the power supply.

- The power cable of the heater must meet the requirements of UL 62 in US and CSA 49 in Canada.
- The maximum current amperage in the cross-sectional area of the cable and circuit breaker has been provided in **Table 2** and **Table 3**.
- It is recommended to connect the unit to the mains without an earth-leakage circuit breaker (RCD).

Table 2.	Output kW (240 V)	Room*	Amps A	Circuit Breaker A	Wire Size AWG
DROP 4	4.5	106-247 ft ³ 3-7 m ³	18.75	30	10
DROP 6	6	177-353 ft ³ 5-10 m ³	25	30	10
DROP 7	7.5	247-424 ft ³ 7-12 m ³	31.25	40	8
DROP 9	9	282-530 ft ³ 8-15 m ³	37.5	50	8

* In case there are any uninsulated brick, tile, glass or log walls in the sauna room, an additional volume of 53 ft³ (1.5 m³) should be added to the sauna room for each such square meter of the wall.

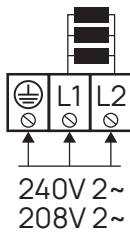
Table 3.	Output kW (208 V)	Room*	Amps A	Circuit Breaker A	Wire Size AWG
DROP 4	3.4	88-194 ft ³ 2.5-5.5 m ³	16.35	20	12
DROP 6	4.5	141-282 ft ³ 4-8 m ³	21.63	30	10
DROP 7	5.6	176-317 ft ³ 5-9 m ³	26.92	30	8
DROP 9	6.75	211-388 ft ³ 6-11 m ³	32.44	40	8

* In case there are any uninsulated brick, tile, glass or log walls in the sauna room, an additional volume of 53 ft³ (1.5 m³) should be added to the sauna room for each such square meter of the wall.

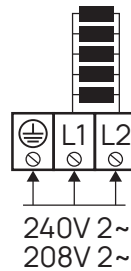
ATTENTION! It is forbidden to use a non-heat-resistant cable with PVC isolation as the power cable. When using the junction box in the sauna room, it should be waterproof and located at a maximum height of 19.7 in (50 cm) from the floor.

- Open the cover of the heater's electrical box.
- Take the cable into the electrical box through the rubber bushing.
- Attach the power cable on the terminal block according to the circuit diagram.
- **NB!** The cable should first pass through the opening in the heater reflector.
- Close the cover.
- Fix the cable on the bushing with a cable strap.
- Install the heater on the wall frame and ensure that it stays firmly in place.

DROP 4
DROP 6



DROP 7
DROP 9



Insulation resistance of the electric heater

During the first use of the heater the insulation resistance of the heating element might prove to be temporarily lower than the standard. The reason for that is the moisture seeped into the insulating layer during storage in the warehouse and transportation. The moisture evaporates in 1–2 hours of heating the electric heater.

Laying of the heater stones

- **HUUM DROP** electric heater requires approximately **121.3 lbs (55kg) of stones**.
 - The stones with a **diameter of 2-4 in (5-10 cm)** are suitable for **HUUM DROP** heater.
 - We recommend the use of round stones which complement the design of the heater and allow the water in the heater to move freely to the lower layers of stones.
 - Natural stones (e.g. olivine diabase, olivine), which are sold specifically for use in sauna heaters, are suitable as heater stones.
 - We recommend avoiding decorative stones as they do not accumulate enough heat and break easily. Broken pieces of stone inside the heater can block air holes and damage heating elements.
- NB! The defects due to the use of unsuitable stones are not covered by warranty.**
- Before laying, we recommend washing the stones clean of dust under running water.

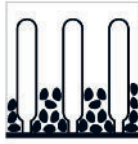
Requirements for laying stones:

- Use gloves to protect your hands when laying stones.
 - Lay the stones one by one and don't pour or throw them into the heater.
 - Start with bigger stones, placing them to the bottom and to the sides. Use smaller stones to fix the larger stones in place and to fill in the narrower gaps.
 - Try to lay the stones as tightly as possible, but leave some room for air to circulate in the heater.
 - Lay the stones between the heating elements as well. This will help support the heating elements and prevent them from coming into contact. Take care not to push the stones too hard or bend the heating elements.
 - Lay the outer surfaces of the heater tightly and make sure that the heating elements are not visible through the stones. Ladling water directly onto the heating elements shortens their lifespan and produces an excessively sharp heat.
- NB! If the heating elements are not properly surrounded by stones, the safety distances given in Table 1 do not apply, as additional heat radiation to flammable surfaces will occur. Make sure that the heating elements are not visible from between the stones!**
- Check the condition of the stones once a year to remove broken pieces and replace them, if necessary.

ATTENTION! TOO SPARSELY FILLED STONE CONTAINER CAUSES FIRE HAZARD!



1. 



2. 



3. 



4. 

1. Too tightly filled
2. Partially filled
3. Heating elements are bent
4. Correctly laid stones

Safety railings

To prevent accidental contact with the hot heater it is recommended to install a safety railing around the heater.

- You can build your own safety railing or use the special accessory **HUUM DROP electric heater safety railing**, which can be obtained from your HUUM distributor.
- We recommend the use of materials with a low thermal capacity and poor thermal conductivity (e.g. wood) as the material for the safety railing.

NB! When using flammable materials (e.g. wood) as safety railings, it is essential that the prescribed minimum safety distances between the heater and flammable structures are complied with.

Controlling the heater

- Only certified control panels designed for the control of an electric heater may be used to control **HUUM DROP electric heater**.
- The output of the heater should remain in the interval determined by the control panel's producer.
- When installing the control panel, follow the installation and operation manual provided by the manufacturer.

SAUNA ROOM

Wall materials and insulating of the sauna room

In a sauna with electric heating, all massive heat accumulating wall surfaces (glass and concrete walls, brick, plaster, etc.) should be insulated to use the electric heater with optimal output. This prevents heat loss in the sauna room and overheating of the heater.

Sufficient insulation of the sauna room wall:

1. An insulation layer of 2-4 in (50-100mm) thickness is installed (foam insulation boards covered with a vapour barrier foil suit well).
2. Aluminium foil or other reflective material on top of the insulation material without a vapour barrier. The joints are covered with foil tape.
3. 0.4 in (10mm) ventilation gap (recommended) is left between the moisture barrier and the lining board with spacers.
4. 0.5-0.65 in (12-16 mm) wooden lining board is suitable for interior finishing. Before installing the lining boards, check the power cables and reinforcements in the walls that are necessary for e.g. installation of a heater and a sauna bench.
5. To prevent moisture from the floor, the distance between the board and the floor should be at least 4 in (100 mm).
6. There is a minimum ventilation gap of 0.2 in (5 mm) between the wall and ceiling board.
7. Wooden sauna surfaces should be coated with sauna wax or oil to prevent dirt being absorbed into the wood.

Ceiling of the sauna room

To optimize the heater's output, the recommended height of the sauna room is 82.7 - 90.6 in (2100 - 2300 mm). In case of a higher sauna room, it is advisable to lower the ceiling, thus reducing the volume of the sauna room.

1. The minimum permissible height of the sauna room for **HUUM DROP** electric heater is **74.8 in (1900 mm)**.
2. The distance between the top step of the sauna bench and the ceiling should be between 43.5 and 51.2 in (1100 and 1300 mm).
3. The ceiling of the sauna room should be insulated in the same way as the walls of the

ATTENTION! When covering the walls or ceiling with heat protection (e.g. with mineral tiles), a sufficient ventilation gap should be left between the materials. Installing tiles directly on a wall or ceiling surface can cause dangerous overheating of wall or ceiling materials.

ATTENTION! Check with the authorities responsible for fire safety which parts of the firewall can be insulated. It is forbidden to insulate flues in use.

Darkening of the sauna room walls

Over time, the wooden materials used in the sauna room may begin to darken due to the high temperature. This is a natural process that does not pose a risk and is usually caused by the darkening of the wood protection product used. The darkening process can also be caused by the fine stone dust, breaking away from the heater stones and lifted up by the airflow. By following the manufacturer's instructions when installing the heater, flammable materials in the sauna room will not become dangerously hot.

ATTENTION! The highest allowed temperature for the wall and ceiling surfaces of the sauna room is 284 °F (140 °C).

Floor of the sauna room

Due to large changes in temperature, the heater stones also crumble over time. Together with the sauna water, particles released from the stones and fine stone dust are washed onto the sauna floor. Hot stone chips can damage plastic covered floors under and near the heater. The splashes of heating stones and sauna water (especially for e.g. iron-rich water) can be absorbed into the light joint of the tile floor.

In order to avoid aesthetic damage, ceramic tiles and dark joint filler should be used under and around the heater.

Ventilation of the sauna

In order to ensure sufficient oxygen supply and fresh air, the sauna's ventilation should be as efficient as possible (air should exchange **six times an hour**).

The ventilation system depends on whether the building has a natural air inlet and outlet or forced ventilation.

Sauna ventilation consists of at least two, as a rule three parts:

- **Supply air pipe.** The supply air pipe diameter should be \varnothing 2-4 in (50-100mm).
- **Exhaust air pipe.** The diameter of the exhaust air pipe should be 2x the diameter of the supply air pipe, \varnothing 4-7.9 in (100-200mm).
- **Drying pipe.** In the absence of a drying pipe opening, the door may be left open for ventilation after using the sauna.

In case of a sauna room with mechanical ventilation, there should be:

1. **Supply air pipe** in the middle of the heater or higher (\geq 15.7 in / 400 mm).
2. **Exhaust air pipe** in the opposite side of the heater (\leq 23.6 in / 600 mm from the floor).
3. **Drying pipe opening** in the opposite wall of the heater under the ceiling.

In case of a gravity based ventilation sauna room, there should be:

1. **Supply air pipe** in the middle of the heater or higher (\geq 15.7 in / 400 mm).
2. **Exhaust air pipe** in the opposite wall at least 7.9 in (200 mm) higher than the supply air pipe (\leq 23.6 in / 600 mm from the floor).
3. **Drying pipe opening** in the opposite wall of the heater under the ceiling.

The supply air pipe should be fitted with an adjustable valve.

If **the exhaust air pipe** is located in the washroom, there should be a gap of at least 4 in (100 mm) under the door of the sauna room.

Use **the drying pipe opening** as a final ventilation after a sauna session or in between water lading sessions if there have been a lot of people in the room at once and there is excessive humidity or lack of air. Keep the drying pipe opening closed while having sauna.

USING INSTRUCTION

Using the heater

ATTENTION! Always check that there are no foreign objects on, above or near the heater before switching it on. This could cause a fire hazard.

In order to use the heater, you will need to install a heater control system. The control system is not included in the set. Be sure to read the instruction manual of the control device of your choice before use.

Heating up the sauna room

When the heater is first switched on odours will emit from both the heating elements and the stones. In order to remove these odours, the sauna room should be thoroughly ventilated. In a properly insulated sauna room and with a heater of the right capacity, it will take **around one hour** to reach the desired temperature. The stones are usually heated to the correct water lading temperature simultaneously with the sauna room.

Throwing water on heated stones

As the sauna room heats up, the air in the sauna becomes dry. You can raise the humidity in the sauna room by lading water onto hot stones. By choosing the frequency and amount of water you ladle, you can adjust the humidity and the perceived heat of the sauna to your personal preference.

- Try to throw water only on the heater stones and not on metal surfaces.
- Start water lading only when the stones are fully heated and the water evaporates completely.
- Use only clean and warm water for lading.
- We recommend that you ladle about 2.7 oz (80 ml) of water on the stones at a time. If you want more steam, wait for a few minutes and then ladle the same amount again. This will allow the stones to dry out and heat up again in the meantime.

NB! Never ladle water when someone is in the immediate vicinity of the heater as hot steam can cause burns.

WARNINGS AND NOTES

- **The heater is designed to heat the sauna room to the temperature at which the sauna is enjoyed. It may not be used for any other purpose.**
- **All maintenance work requiring special skills should be carried out by a trained professional.**
- **Always disconnect the heater from the power source before carrying out any maintenance!**
- Before turning on the electric heater, always check the sauna room and heater.
- The heater may be used only when it has been correctly filled with stones.
- Do not cover the heater—this causes fire hazard.
- Do not touch a working heater, it causes burns.
- Ventilating the sauna room incorrectly may dry the wood too much and cause a fire hazard in the sauna. If necessary, seek professional advice when planning ventilation.
- Never make steam by using a water hose.
- Use sauna fragrances and oils only in the steam water. If poured directly onto the stones in undiluted form they can catch fire.
- A layer of fireproof thermal insulation of at least 2 in (50 mm) is recommended under the board of the sauna room.
- In case of uninsulated saunas, e.g. various ready-made barrel and outdoor saunas, the calculated volume of the sauna room should be multiplied by 1.5 to determine the suitable heater output.
- Sauna doors should always open outward.
- Do not use the sauna for any other purpose than it is meant to be used.
- Do not leave small children in the sauna unattended.
- Sudden cooling after staying in the sauna room is not recommended for people with poor health. If necessary, consult a doctor.
- Do not stay in the sauna for too long. Enjoy the steam as long as it is comfortable for you.
- Keep this information in a secure place.

WARRANTY

General:

- The purchaser is obliged to review the user manual of the product and follow the requirements stated therein.
- The warranty does not extend to failures due to non-compliance with the rules of use provided for in the manual.
- The warranty is valid, if the product has a technical defect or fault caused by the manufacturer.
- The warranty covers the replacement of the product or of parts with manufacturing defects.
- The warranty period is 5 years from the date of purchase.

NB! The warranty is based on the presentation of the purchase receipt/invoice. The right to submit a claim is valid on the condition that the product has been used only for the intended purpose and conditions.

Warranty terms:

- **NB! The warranty does not extend to heating elements of the electric heaters, these are considered expendable parts.**
- The warranty does not cover the defects caused by normal wear and tear of the product.
- The warranty does not apply to heater stones.

Warranty does not cover the defects which are caused by:

- Transport and other accidental damage to the product;
- Careless or improper storage and use of the product and overloading;
- Failure to comply with the instructions for installation and operation of the product and safety requirements.

Warranty does not apply:

- If the product has been repaired by an unauthorised person, if non-approved parts have been added to the product, or if consumables not accepted by the manufacturer have been used (e.g. heating elements);
- If the set of product is not complete.

Find the most up-to-date content from our website: huumsauna.com

HUUM DROP

POÊLE ÉLECTRIQUE POUR SAUNA

Manuel d'installation et d'utilisation

ATTENTION ! Les instructions suivantes pour les travaux électriques doivent être exécutées par un électricien certifié.

ATTENTION ! Il est recommandé de confier la pose des pierres sur le réceptacle à un spécialiste.

ATTENTION ! Cet appareil électrique n'est pas prévu pour être utilisé par des personnes (y compris des enfants) avec des capacités physiques, sensorielles ou mentales réduites, ou un manque d'expérience et de connaissance, à moins qu'elle soit supervisée ou guidée concernant l'utilisation de l'appareil électrique par une personne responsable de leur sécurité.

ATTENTION ! Les enfants devraient être surveillés pour s'assurer qu'ils ne jouent pas avec l'appareil électrique.

ATTENTION ! Les instructions d'installation pour les appareils de saunas publics qui n'ont pas de minuterie devraient énoncer qu'une lampe pilote montrant que l'appareil de chauffage est activé est installée dans la pièce des participants. Le manuel précédemment fourni ne contient pas ces informations.

La sécurité des produits est conforme à la norme EN 60335-2-53 : 2011 «Appareils électriques ménagers et analogues. Sécurité. Partie 2-53 : Règles particulières pour les appareils de chauffage de saunas et les cabines infrarouges».

Le poêle électrique pour sauna est livré en kit, qui comprend :

- poêle électrique pour sauna;
- fixation murale ;
- manuel d'installation et d'utilisation ;
- Le poêle électrique DROP 7 et 9 pour sauna est livré avec un réflecteur de chaleur et un support d'éléments chauffants.

ATTENTION ! Le poêle électrique hum drop nécessite également un système de commande et des pierres. le poêle électrique doit être installé au complet, avec les éléments nécessaires à son fonctionnement normal.

Le présent manuel d'installation et d'utilisation est adressé aux propriétaires et personnes responsables d'entretien du sauna, ainsi qu'à l'électricien-installateur du poêle. Avant de procéder à l'utilisation du poêle électrique, il est important de lire attentivement ce manuel d'installation et d'utilisation.

ATTENTION ! Les travaux électriques décrits dans ce manuel doivent être effectués par un électricien agréé.

AVANT L'INSTALLATION

Avant d'installer le poêle électrique, veuillez lire le manuel d'installation et d'utilisation et faites attention aux dispositions ci-dessous :

- Avant d'installer le poêle électrique, contrôlez l'ampérage maximum du disjoncteur principal, qui doit correspondre aux paramètres du poêle.
- La puissance de poêle (kW) correspond-elle au volume calculé de la salle de sauna (ft^3 / m^3) ? Si les murs de salle de sauna sont en briques, verre ou rondsins ou revêtus de carreaux sans isolation thermique, il faudra ajouter 53 ft^3 (1.5 m^3) pour chaque mètre carré d'un tel mur. (Pour une puissance appropriée de poêle veuillez voir le **Tableau 2** et **Tableau 3**.)
- Les distances de sécurité minimales, sont-elles assurées là où le poêle électrique est installé ? (Les distances minimales de sécurité jusqu'aux murs et plafond de salle de sauna, à respecter lors du montage du poêle électrique, sont indiquées dans le **Tableau 1**.)

ATTENTION ! La garantie du fabricant n'est pas valable, si la puissance du poêle électrique ne correspond pas au volume calculé de la salle de sauna !

INSTALLATION

Installation du poêle électrique

Le poêle électrique doit être installé à une distance de sécurité par rapport aux matériaux inflammables.

- Veuillez contrôler d'après le **Tableau 1** les distances de sécurité minimales entre le poêle électrique et le plafond, ainsi que les murs de salle de sauna.
- Installez le poêle électrique de manière à ce que son emplacement ne crée pas de situations dangereuses au cours de son utilisation et que le contact accidentel avec le poêle électrique chaud soit minimisée.
- Avant l'installation, retirez le film protecteur de la plaque en acier du déflecteur de chaleur, situé du côté arrière du poêle électrique.
- Veuillez tenir compte que le poêle électrique avec des pierres pèse 143.3 lb (65 kg), donc, assurez-vous que le mur est suffisamment solide pour supporter le poids pareil. Fixez au mur la plaque de fixation du poêle électrique.
- **ATTENTION ! Le kit de poêle DROP 7 et 9 comprend un réflecteur de chaleur et un dispositif de fixation des éléments chauffants, dont la notice d'installation est ci-jointe.**

L'entrée pour le câble d'alimentation est située à l'arrière de poêle électrique. L'emplacement exact du câble sur le mur doit être défini par rapport à la plaque de fixation du poêle électrique (voir la **Figure 1**.)

Tableau 1.	A	B	C	D	E	Espacement min.
DROP 4	4 in 100 mm	23.3 in 590 mm	17.1 in 435 mm	6.7 in 170 mm	12.2 in 310 mm	47.3 in 1200 mm
DROP 6	4.8 in 120 mm	24.8 in 630 mm	17.9 in 455 mm	7.5 in 190 mm	12.2 in 310 mm	47.3 in 1200 mm
DROP 7	5.5 in 140 mm	26.4 in 670 mm	18.7 in 475 mm	8.3 in 210 mm	12.2 in 310 mm	47.3 in 1200 mm
DROP 9	5.9 in 150 mm	27.2 in 690 mm	19.1 in 485 mm	8.7 in 220 mm	12.2 in 310 mm	47.3 in 1200 mm

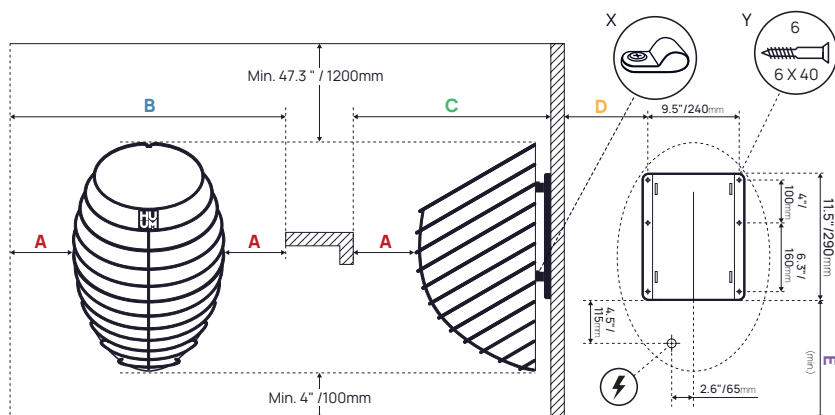


Figure 1. Installation du poêle électrique

Montage du poêle électrique enfoncé dans le banc de sauna

Le poêle électrique **HUUM DROP** peut également être partiellement enfoncé dans le banc ou le plancher du sauna.

- le poêle électrique partiellement enfoncé doit ressortir **au minimum de 14.8 in (375 mm)** de la surface du banc ;
- Couvrez les bords de l'ouverture dans le banc avec une bride d'enrobage **HUUM DROP**.

La bride d'enrobage **HUUM DROP** est un accessoire supplémentaire que vous pouvez demander au revendeur des produits HUUM. La notice d'installation de la bride est ci-jointe.

La profondeur maximale de pose du poêle est illustrée à la **Figure 2**.

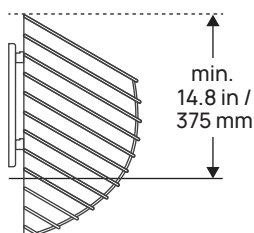


Figure 2. Montage du poêle électrique HUUM DROP enfoncé dans le banc de sauna

Raccordement au secteur

ATTENTION ! Le raccordement du poêle électrique au secteur doit être confié à un électricien agréé.

- Le câble d'alimentation de l'appareil de chauffage doit répondre aux exigences de UL 62 aux États-Unis et de CSA 49 au Canada.
- La section de câble et l'ampérage maximum du disjoncteur sont indiqués dans le **Tableau 2** et **Tableau 3**.
- Il est recommandé de connecter le poêle électrique au réseau sans interrupteur à courant différentiel résiduel (RCD).

Tableau 2.	Puissance kW (240 V)	Sauna*	Amps A	Disjoncteur A	Câble d'alimentation AWG
DROP 4	4.5	106-247 ft ³ 3-7 m ³	18.75	30	10
DROP 6	6	177-353 ft ³ 5-10 m ³	25	30	10
DROP 7	7.5	247-424 ft ³ 7-12 m ³	31.25	40	8
DROP 9	9	282-530 ft ³ 8-15 m ³	37.5	50	8

* Si les murs de salle de sauna sont en briques, verre ou rondsins ou revêtus de carreaux sans isolation thermique, il faudra ajouter 53 ft³ (1.5 m³) pour chaque mètre carré d'un tel mur.

Tableau 3.	Puissance kW (204 V)	Sauna*	Amps A	Disjoncteur A	Câble d'alimentation AWG
DROP 4	3.4	88-194 ft ³ 2.5-5.5 m ³	16.35	20	12
DROP 6	4.5	141-282 ft ³ 4-8 m ³	21.63	30	10
DROP 7	5.6	176-317 ft ³ 5-9 m ³	26.92	30	8
DROP 9	6.75	211-388 ft ³ 6-11 m ³	32.44	40	8

* Si les murs de salle de sauna sont en briques, verre ou rondins ou revêtus de carreaux sans isolation thermique, il faudra ajouter 53 ft³ (1.5 m³) pour chaque mètre carré d'un tel mur.

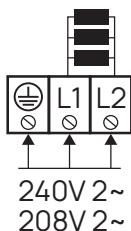
ATTENTION ! Il est interdit d'utiliser le câble avec une isolation en PVC non résistant à la chaleur en qualité de câble d'alimentation du poêle électrique.
La boîte de branchement installée dans la salle de sauna doit être étanche et se situer à une hauteur maximale de 19.7 in (50 cm) du sol.

- Ouvrez le couvercle de la boîte de branchement du poêle.
- Passez le câble dans la boîte de branchement à travers le passe-câble en caoutchouc.
- Branchez le câble d'alimentation à l'aide d'un bornier de raccordement conformément au schéma de câblage.

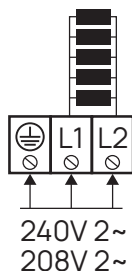
ATTENTION ! Le câble doit passer tout d'abord à travers le trou dans le réflecteur de chaleur.

- Fermez le couvercle.
- Fixez le câble à l'aide d'un collier de serrage.
- Montez le poêle sur une plaque de fixation murale et assurez-vous que le

DROP 4
DROP 6



DROP 7
DROP 9



Résistance d'isolement du poêle électrique

Lors de la première utilisation de poêle électrique, le résultat de mesure de la résistance d'isolement du câble peut être temporairement inférieure à la normale. Cela peut être dû à l'humidité qui a pénétré dans la couche d'isolation lors du stockage de poêle électrique dans l'entrepôt et de son transport. Cette humidité va s'évaporer dans une ou deux heures de chauffage du poêle.

Pose de pierres dans le poêle

- Pour le poêle électrique **HUUM DROP** vous aurez besoin d'environ **121.3 lbs (55 kg)** de pierres de **2 à 4 in (5 à 10 cm) de diamètre**.
- Nous recommandons d'utiliser des pierres rondes qui conviennent bien au design du poêle électrique. De plus, l'eau s'écoulera librement sur ces pierres vers la couche inférieure.
- Des pierres naturelles pour le chauffe-sauna sont disponibles dans le commerce (par ex. olivine-diabase, olivine).
- Il n'est pas recommandé d'utiliser des pierres décoratives, car elles n'accumulent pas assez de chaleur, se fissurent et s'effritent facilement. Les fragments de pierre, à leur tour, peuvent obstruer l'accès pour l'air à l'intérieur de poêle électrique, ce qui risque d'endommager les éléments chauffants.

ATTENTION ! La garantie ne couvre pas les défauts causés par l'utilisation dans le chauffe-poêle des pierres inappropriées.

- Il est recommandé de laver les pierres sous l'eau courante avant la pose.

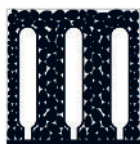
Règles de pose de pierres

- Mettez des gants pour protéger vos mains lors de la pose de pierres.
- Disposez les pierres une par une, ne les versez/jetez pas dans le poêle.
- Commencez par les grosses pierres en les disposant au fond et sur les côtés du poêle. Coincez les grosses pierres avec des pierres plus petites et remplissez aussi les espaces étroits.
- Serrez bien les pierres l'une contre l'autre, mais tout en laissant des passages pour l'air.
- Posez également des pierres entre les éléments chauffants, ce qui va leur servir de support et, d'autre part, permettra d'éviter tout contact entre eux. Lors de la pose n'appuyez pas trop fort sur les pierres car cela risque de plier les éléments chauffants.
- La couche supérieure de pierres dans le poêle doit être suffisamment serrée pour que les éléments chauffants ne soient pas visibles. Ne versez pas de l'eau directement sur les éléments chauffants, car cela va raccourcir leur durée de vie et produire une vapeur trop chaude.

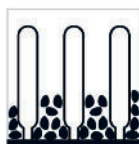
ATTENTION ! Si les éléments chauffants de poêle ne sont pas correctement entourés de pierres, les distances de sécurité indiquées dans le tableau 1 seront incorrectes car les matériaux inflammables entourant le poêle seront exposés à un rayonnement thermique plus intense. Assurez-vous que les éléments chauffants ne sont pas visibles entre les pierres !

- Vérifiez l'état des pierres dans le poêle une fois par an ; enlevez les éclats et fragments de pierre et remplacez les pierres si nécessaire.

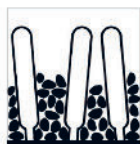
ATTENTION ! SI LES PIERRES SONT TROP ÉCARTÉES L'UNE DE L'AUTRE, LE POÊLE PEUT PRÉSENTER UN RISQUE D'INCENDIE !



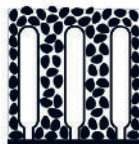
1. 



2. 



3. 



4. 

1. Les pierres sont trop serrées l'une contre l'autre
2. Rempli à moitié
3. Les éléments chauffants sont pliés
4. Les pierres sont posées correctement

Garde-corps

Pour réduire les risques de brûlures à la suite d'un contact avec un poêle électrique chaud, il est conseillé d'installer une protection appropriée autour de celui-ci.

- Vous pouvez fabriquer ce garde-corps vous-même ou acquérir **un garde-corps spécial HUUM DROP**, que vous pouvez demander à votre revendeur HUUM.
- Il est recommandé de fabriquer un garde-corps avec des matériaux à faible pouvoir calorifique et à faible conductivité thermique (par exemple, le bois).

ATTENTION ! Lors de l'utilisation d'un garde-corps en matériau inflammable (par exemple, en bois), il faudra obligatoirement respecter les distances de sécurité minimales, prévues entre le poêle électrique et les structures inflammables.

Commande du poêle électrique

- Il n'est autorisé à utiliser pour la commande du poêle **HUUM DROP** que les dispositifs conçus et homologués à ces fins.
- La puissance de poêle électrique doit rester dans la plage de puissance de fonctionnement spécifiée par le fabricant du dispositif de commande.
- Lors de l'installation du dispositif de commande suivez les instructions d'installation et d'utilisation établi par le fabricant.

SALLE DE SAUNA

Isolation thermique de la salle de sauna et matériaux de construction de murs

Afin d'utiliser le poêle de puissance optimale dans un sauna chauffé électriquement, il est important d'isoler correctement tous les murs de grande surface, accumulant de la chaleur (par exemple, les murs en verre, en béton, en briques, enduits d'un crépi etc.), ce qui permettra d'éviter les pertes de chaleur dans le sauna, ainsi que la surchauffe du poêle électrique.

Isolation suffisante des murs de salle de sauna :

1. Une couche de matériau d'isolation thermique de 2 à 4 in (50 à 100 mm) d'épaisseur (p. ex., des panneaux d'isolation en mousse rigide, recouverts d'une feuille d'aluminium faisant office de pare-vapeur).
2. Le matériau isolant thermique sans couche pare-vapeur, couvert de papier d'aluminium ou d'un autre matériau réfléchissant le rayonnement thermique. Les joints sont couverts par un ruban adhésif en feuille d'aluminium.
3. Il est recommandé de laisser – à l'aide des lattes d'ancrage – un espace de 0.4 in (10 mm) entre la couche étanche et les planches de bois.
4. Pour la finition on peut utiliser, par exemple, les planches de coffrage de 0.5-0.65 in (12-16 mm) d'épaisseur. Avant le montage vérifiez le câblage, ainsi que les montants nécessaires pour l'installation du poêle électrique et du banc.
5. Pour éviter l'humidité provenant du plancher de sauna, la distance entre le banc et le plancher doit être d'au moins 4 in (100 mm).
6. Un espace d'au moins 0.2 in (5 mm) doit être assuré entre le coffrage de mur et le plafond.
7. Enduisez de cire ou d'huile spéciale les surfaces en bois dans la salle de sauna pour les préserver de salissures.

Plafond de salle de sauna

Pour optimiser la puissance du poêle électrique, la hauteur recommandée du sauna doit être d'environ 82.7 - 90.6 in (2100 mm - 2300 mm). Si le plafond dans la salle de sauna est plus haut, il faudrait le baisser, réduisant ainsi le volume de la pièce.

1. La hauteur de plafond minimale, autorisée dans la salle de sauna en cas d'installation du poêle **HUUM DROP**, est de **74.8 in (1900 mm)**.
2. Entre le niveau supérieur du banc sauna et le plafond on peut laisser 43.5 - 51.2 in (1100 -1300 mm).
3. Le plafond de salle de sauna doit être isolé de la même façon que les murs.

ATTENTION ! En cas de revêtement des murs ou du plafond par un isolant thermique (par exemple, par des panneaux thermo-isolants en fibres minérales), un espace suffisant doit être laissé entre les matériaux. La pose des panneaux directement sur la surface du mur ou du plafond peut entraîner une surchauffe dangereuse des matériaux du mur ou du plafond.

ATTENTION ! Vérifiez auprès de l'autorité de sécurité incendie sur quelles zones du mur coupe-feu on peut installer une isolation thermique. Il est interdit de revêtir des cheminées par un isolant thermique !

Assombrissement des murs dans la salle de sauna

Au fil du temps, les surfaces en bois dans la salle de sauna peuvent s'assombrir sous l'action des hautes températures. C'est un processus naturel qui n'affecte pas les propriétés du bois et, en plus, est causé par les produits de protection du bois. L'assombrissement peut également être causé par une fine poussière de pierre, produite par leur effritement et transportée par les courants d'air. Veuillez suivre les instructions du fabricant relatives à l'installation du poêle électrique afin de prévenir la surchauffe des matériaux inflammables de sauna !

ATTENTION ! La température maximale autorisée, mesurée sur la surface des murs et du plafond de salle de sauna est de 284 °F (140°C).

Plancher de salle de sauna

En raison des fortes variations de température, les pierres dans le conteneur du poêle électrique vont s'effriter avec le temps. L'eau va emporter les éclats et la poussière de pierre, qui se déposeront sur le sol de la salle de sauna. Les éclats chauds peuvent endommager le revêtement en plastique du sol sous et autour du poêle. De petits éclats de pierre humides (surtout si l'eau est riche en fer) vont pénétrer dans les joints de carrelage et les assombrir, surtout si les joints sont de couleur claire.

Pour préserver l'apparence originale des matériaux de finition, il est conseillé d'utiliser sous et autour du poêle des carreaux céramiques et un coulis foncé.

Ventilation de la salle de sauna

Pour assurer un apport d'air frais suffisant, la ventilation dans la salle de sauna doit être suffisamment efficace (capable de renouveler l'air **six fois par heure**).

La solution relative à la ventilation de la salle de sauna dépend du système de ventilation – naturelle ou mécanique – utilisé dans le bâtiment.

La ventilation de la salle de sauna se compose au moins de deux, mais normalement de trois éléments :

- **Arrivée d'air.** Le tuyau d'arrivée d'air doit être de 2 à 4 in (50 à 100 mm) de diamètre.
- **Sortie d'air.** Le diamètre du tuyau de sortie d'air doit être 2 fois plus grand que celui d'entrée, c'est-à-dire, être de 4 à 7.9 in (100 à 200 mm).
- **Aération.** Si dans la salle de sauna il n'y a pas de trou d'aération, on peut laisser sa porte ouverte après la séance de sauna pour aérer la pièce.

Si dans la salle de sauna est installée une ventilation mécanique :

1. **L'arrivée d'air** doit se situer du côté opposé à la partie centrale du poêle électrique ou plus haut (≥ 15.7 in / 400 mm).
2. **La sortie d'air** doit se trouver dans le mur opposé à celui de poêle électrique (≤ 23.6 in / 600 mm du sol).
3. **Le trou d'aération** doit être situé dans le plafond, près du mur opposé à celui de poêle électrique.

Si dans la salle de sauna est installée une ventilation naturelle :

1. **L'arrivée d'air** doit se situer du côté opposé à la partie centrale du poêle électrique ou plus haut (≥ 15.7 in / 400 mm).
2. **La sortie d'air** doit se trouver dans le mur opposé à celui de poêle électrique, au moins 7.9 in (20 cm) plus haut que l'entrée d'air (≤ 23.6 in / 600 mm du sol).
3. **Le trou d'aération** doit être situé dans le plafond, près du mur opposé à celui de poêle électrique.

L'entrée d'air doit être équipée d'un clapet réglable.

Si **l'évent** se trouve dans la salle de lavage, un espace libre d'au moins 4 in (100 mm) doit être prévu sous la porte du sauna.

On utilise **le trou d'aération** pour rafraîchir l'air dans la salle de sauna après la visite ou entre les séances, si plusieurs personnes se trouvaient en même temps dans la salle de sauna et l'humidité y était excessive, ou on y sentait un manque d'air. Pendant la séance, le trou d'aération doit être fermé.

UTILISATION

Utilisation du poêle électrique pour sauna

ATTENTION ! Avant de mettre en marche le poêle électrique, assurez-vous de l'absence de corps étrangers sur, au-dessus ou à proximité du poêle afin d'éviter tout risque d'incendie.

Le poêle électrique doit être utilisé seulement avec un système de commande approprié, qui n'est pas inclus dans le kit de poêle électrique. Avant de procéder à l'utilisation veuillez lire le manuel de dispositif de commande que vous avez choisi.

Chauffage de la salle de sauna

Au cours de la première mise en marche du poêle, les éléments chauffants et les pierres peuvent dégager une odeur spécifique, que vous pouvez éliminer en aérant bien le sauna. Il faudra **environ une heure** pour chauffer à la température souhaitée la salle de sauna dotée d'une isolation thermique adaptée et à condition que le chauffe-sauna ait une puissance correcte. En règle générale, la température des pierres monte en même temps avec celle de la salle de sauna.

Arrosage de pierres

Au fur et à mesure que la température monte, l'air dans la salle de sauna devient de plus en plus sec. On peut humidifier l'air en versant un peu d'eau sur les pierres chaudes. En choisissant la fréquence et la quantité d'eau à verser, vous pouvez ajuster à votre gré l'humidité et la chaleur ressentie.

- Essayez de verser de l'eau uniquement sur les pierres et non sur les surfaces métalliques.
- Arrosez les pierres après qu'elles sont devenues suffisamment chaudes pour évaporer complètement l'eau.
- Ne versez que de l'eau propre et chaude.
- Nous recommandons de verser environ 2.7 oz (80 ml) d'eau à la fois. Pour plus de vapeur, attendez une minute ou deux, puis versez la même quantité d'eau. Cette procédure permettra aux pierres de sécher et de se réchauffer à nouveau.

ATTENTION ! N'arrosez jamais les pierres, si quelqu'un se trouve à proximité, sinon la vapeur peut provoquer de graves brûlures.

MISES EN GARDE ET REMARQUES

- **Ce poêle électrique est conçu pour chauffer la salle de sauna à la température souhaitée. Il est interdit d'utiliser le poêle électrique sauna à d'autres fins.**
- **Tous les travaux d'entretien du poêle qui nécessitent des compétences particulières, doivent être effectués par un spécialiste qualifié.**
- **Débranchez toujours l'appareil du secteur avant de procéder aux travaux d'entretien !**
- Avant de mettre en marche le poêle électrique, effectuez toujours son contrôle visuel et assurez-vous que la salle de sauna est aussi en bon état.
- Le poêle ne peut être utilisé que s'il est correctement rempli de pierres.
- Ne couvrez pas le poêle électrique, sinon cela peut provoquer un incendie.
- Ne touchez pas le poêle chaud, sinon vous risquez de vous brûler.
- Une ventilation insuffisante de la salle de sauna peut provoquer un dessèchement excessif du bois et entraîner un risque d'incendie. Si nécessaire, demandez conseil à un expert lors de la planification de la ventilation.
- N'arrosez pas les pierres chaudes avec un tuyau flexible !
- Diluez l'huile essentielle dans de l'eau, puis versez cette eau sur les pierres. L'huile pure versée directement sur les pierres chaudes peut s'enflammer !
- Il est recommandé d'installer une couche d'isolant thermique réfractaire d'une épaisseur d'au moins 2 in (50 mm) sous le banc de sauna.
- Pour déterminer la puissance conforme du poêle électrique qui va être installé dans une salle de sauna sans isolation thermique (par exemple, dans un sauna en forme de tonneau ou un sauna extérieur, disponibles dans le commerce), il faudra multiplier par 1.5 le volume d'un tel sauna.
- La porte de la salle de sauna doit toujours s'ouvrir vers l'extérieur.
- N'utilisez pas le sauna à d'autres fins.
- Ne laissez pas les jeunes enfants sans surveillance dans la salle de sauna !
- En cas de problèmes de santé, il est déconseillé de prendre un bain froid ou une douche froide après la séance de sauna. Si nécessaire, consultez votre médecin !
- Restez dans la salle de sauna jusqu'à ce que cela vous procure du plaisir et n'affecte pas le sentiment de bien-être.
- Gardez ce manuel en lieu sûr.

CONDITIONS DE GARANTIE

Dispositions générales :

- L'acheteur est tenu de lire le présent manuel d'installation et d'utilisation et de se conformer aux exigences qui y sont énoncées.
- La garantie ne couvre pas les défauts causés suite au non-respect des règles d'utilisation énoncées dans ce manuel.
- La garantie est valable, si le produit présente un défaut de matière ou de fabrication.
- La garantie couvre le remplacement d'un produit défectueux ou de pièces défectueuses.
- La durée de la période de garantie est de 5 ans à compter de la date d'achat du produit.

ATTENTION ! Le recours à la garantie n'est possible que sur présentation du ticket de caisse/de la facture. Le droit d'introduire une réclamation n'est valable qu'à condition que le produit ait été utilisé conformément à sa destination et selon les conditions du fabricant.

Conditions de garantie :

- **ATTENTION ! La garantie ne couvre pas les éléments chauffants du poêle, qui sont considérés comme consommables.**
- La garantie ne couvre pas les défauts causés par l'usure normale du produit.
- La garantie ne couvre pas les pierres pour poêle.

La garantie ne couvre pas les défauts causés par :

- le transport du produit et d'autres dommages accidentels ;
- un stockage ou une utilisation mauvaise ou négligente du produit, son utilisation non prévue ou sa surcharge.
- le non-respect des instructions d'installation et d'utilisation du produit, ainsi que des préconisations de sécurité.

La garantie n'est pas valable :

- Si le produit a été réparé par une personne non habilitée ; des pièces non prévues ont été ajoutées au produit ; des consommables (p.ex., des éléments chauffants) non autorisés par le fabricant ont été utilisés.
- En cas d'utilisation du produit, dont des pièces sont manquantes.

Veillez trouver les dernières informations sur nos produits sur notre site: huumsauna.com

NOTES
REMARQUES

NOTES
REMARQUES

HUUM
UM



OF SAUNA



#huumsauna



www.huumsauna.com