

IKI

Instructions for installation and use



IKI Wood burning stoves

Mini-IKI
Mini-IKI Plus
Original IKI
Original IKI Plus

11/2023

- The Iki sauna stove must not be used for any other purpose other than heating a sauna, for example do not use the heater to dry clothes, or use as a heater in a building site, etc.
- Covering the stove during use or when it is hot is strictly prohibited.
- Throwing sea water or other salty water on the stones is prohibited and will cause the warranty to become void and will cause early rusting.
- Beware of the blast connection, hatch, or other metal surfaces of the stove and the stones, THEY MAY BE HOT! Always wear protective gloves, mittens, etc. With children, take special precautions in the sauna!

In addition to this instruction, the EU heater standard 15821, local fire rescue authorities rules and regulations must be taken into account when installing and using the stove.

NOTE!

Beware of the sharp edges of the mesh and other parts. Always wear protective gloves and a long-sleeved shirt when handling the mesh of the stove and piling in stones.

Contacts

IKI LLC

2565 KASOTA Ave, St Paul
Minneapolis, MN 55108
info@ikisaunas.com

Table of contents

Table of contents.....	2
1. Contents of delivery	5
2. Installation of the stove.....	6
2.1 Mini-IKI and Original IKI.....	6
2.2 Setting the stones into stove:.....	8
2.3 Plus version installation instructions.....	9
3. Safety distances to flammable structures.....	10
3.1 Reducing the safety distances	10
4. Dimensional drawings and Connection heights	11
5. Model table	12
6. Instructions for using the stove.....	13
6.1 Initial load and lighting the fire	13
7. Troubleshooting	14
8. The water quality for the stove	14
9. Sweeping instructions	15
10. Ventilation of the sauna and getting compensation air.....	16
10.1 Tips for ventilation.....	16
10.2 Automatic ventilation	16
10.3 Using a chimney ventilator and several furnaces in the same room	16
11. Example pictures of a correct air ventilation	17
12. Warranty.....	18

CE		
IKI-Kiuas Ltd. 15		
EN 15821:2010 NB 2450 AVCP3		
Multi firing sauna stoves fired by solid wood fuel		
Mini-IKI / (Plus)		DoP 07122015
Fire safety (initiation, risk to adjacent elements)		Passed
Safety distances to combustible materials*	to the back to the sides up to the ceiling	100 mm 100 mm 1100 mm
Emission of combustible products		Passed
Surface temperature		Passed
Release of dangerous substances		NPD
Cleanability		Passed
Flue gas temperature (average)		346 ° C
Mechanical resistance		Passed
Sauna room heating output		16,6 kW
- carbon monoxide emission 13 % O ₂ - CO-emission 13 % O ₂		Passed (867 mg/ m ³)
- carbon monoxide emission (%) at 13 % O ₂ - CO-emission (%) 13 % O ₂		Passed (0,069%)
- total efficiency		Passed (74,2%)
- flue draught		12 Pa
- refuelling loads		2,9 kg
- flue gas mass flow		17,7 g/s
Durability		Passed
Flue gas temperature (max.)		588,9 ° C

* Follow the safety information in the installation instructions

CE		
IKI-Kiuas Ltd. 15		
EN 15821:2010 NB 2450 AVCP3		
Multi firing sauna stoves fired by solid wood fuel		
Original IKI / (Plus)		DoP 10252015
Fire safety (initiation, risk to adjacent elements)		Passed
Safety distances to combustible materials*	to the back to the sides up to the ceiling	100 mm 100 mm 1100 mm
Emission of combustible products		Passed
Surface temperature		Passed
Release of dangerous substances		NPD
Cleanability		Passed
Flue gas temperature (average)		411,7 ° C
Mechanical resistance		Passed
Sauna room heating output		15,1 kW
- carbon monoxide emission 13 % O ₂		Passed
- CO-emission 13 % O ₂		(1242 mg/ m ³)
- carbon monoxide emission (%) at 13 % O ₂		Passed
- CO-emission (%) 13 % O ₂		(0,10%)
- total efficiency		Passed (65,2%)
- flue draught		12 Pa
- refuelling loads		3,5 kg
- flue gas mass flow		17,7 g/s
Durability		Passed
Flue gas temperature (max.)		539,2 ° C

* Follow the safety information in the installation instructions

1. Contents of delivery

Please check that all parts belonging to the stove are included in the delivery (See section 2, picture 1.):

- 1 pc Stove
- 1 pc Stove hatch (glass door)
- 1 pc Chimney pipe(s)
- 1 pc Ash tool
- 1 pc Carrying handle
- 1 pc Inside the ash box:
 - 1 pcs fire plate (to be installed in the front of the furnace)
 - Gloves
 - Instructions for installation and use

If the stove is a Plus model, the delivery also includes:

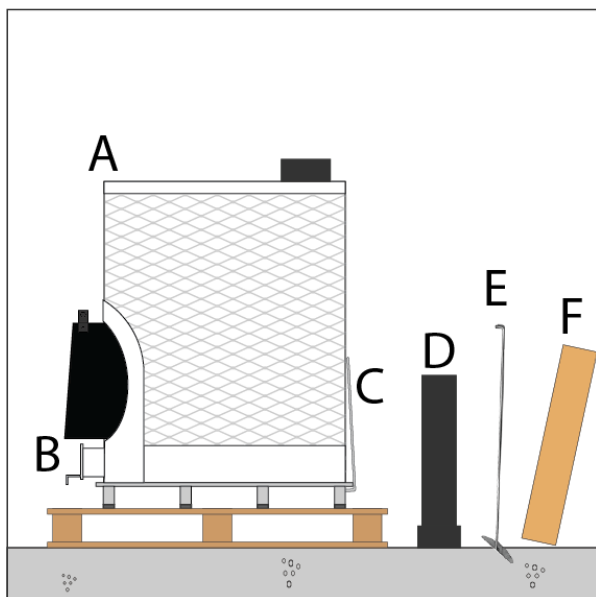
- 1 pc upper mesh for the stove
- 1 pc straight chimney pipe

Before installation make check the following:

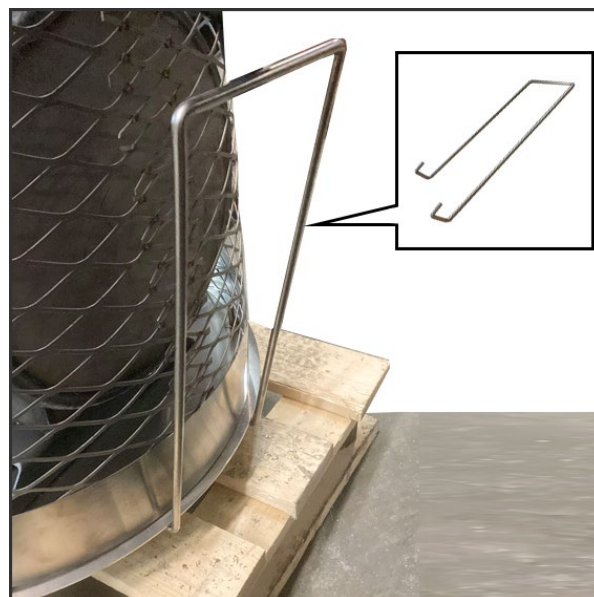
- Safety distances to inflammable surfaces and incombustible structures
- The connection height of a possible old chimney and installation route of a new chimney that will possibly be installed
- Floor material and weight capacity (inflammable, incombustible, tiled and waterproof)
- Note that IKI stoves have a lot of stones and are heavy
- IKI wood burning stoves are recommended to be installed primarily either in a brick chimney, ceramic chimney or an air-cooled chimney. The outer diameter of the stove's smoke pipe is 4.528 inches (115 mm).

2. Installation of the stove

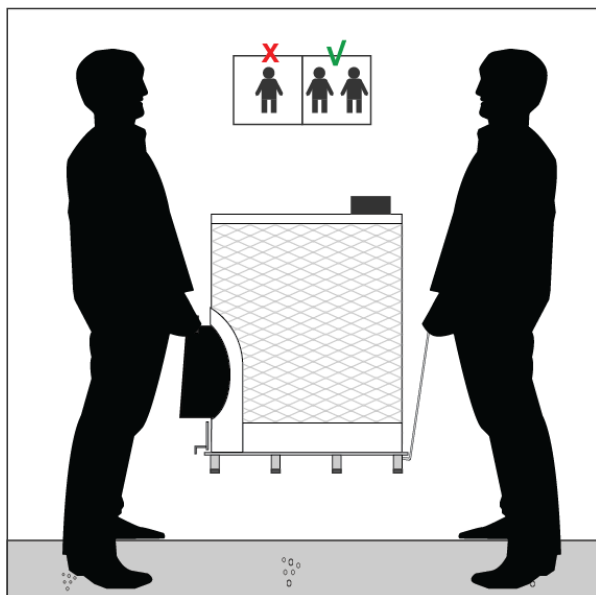
2.1 Mini-IKI and Original IKI



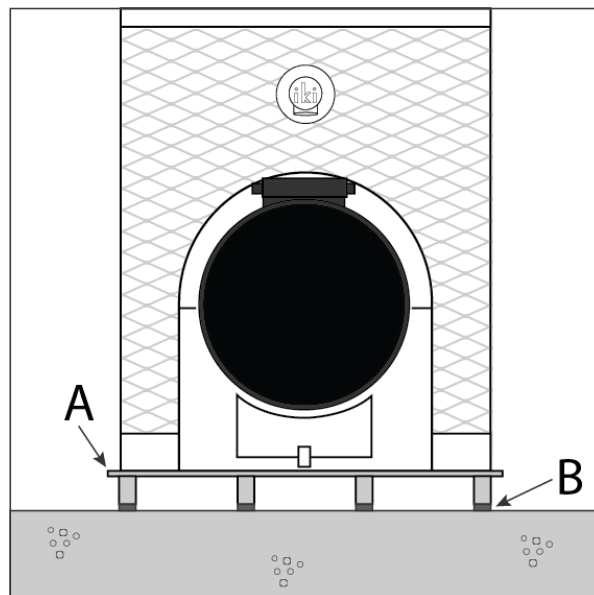
1. Unpack the package and check that all parts belonging to the stove are included in the delivery. A: Stove B: Fire plate, gloves and instructions (inside the ash box) C: Carrying handle D: Chimney pipe E: Ash tool F: Glass hatch



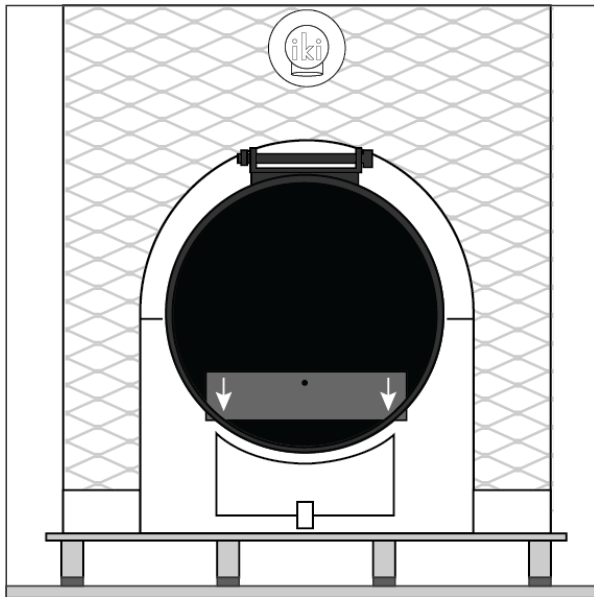
2. Cut the cable tie with scissors or utility knife to unleash the carrying handle from the back of the stove.



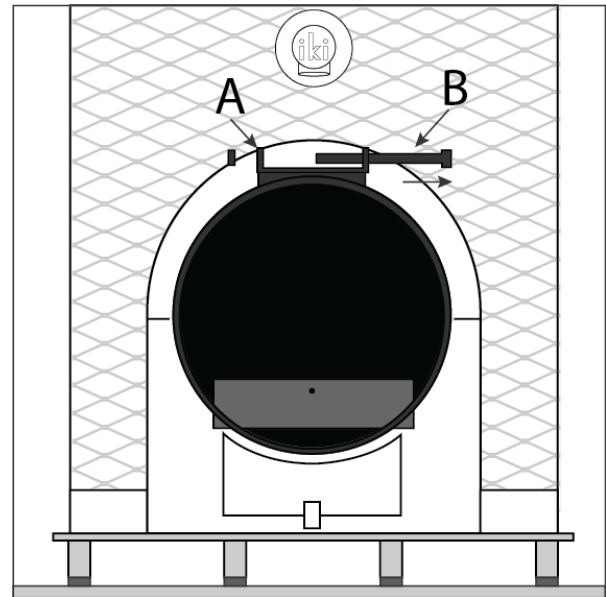
3. Move the stove by carrying it from the carrying handle and from the top of the furnace. Remove the carrying handle after the stove is in place.



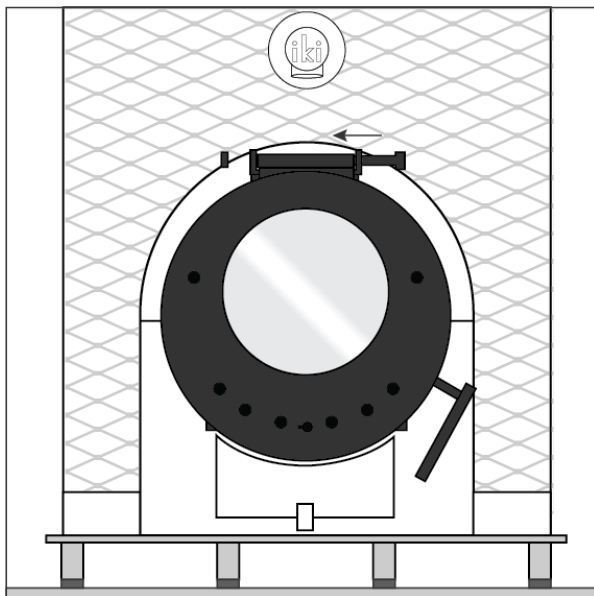
4. Set the stove on a solid base. Baseplate's (A) purpose is to set the stove into a straight and horizontal position. You may only open and adjust each one of the "trim screws" (B) in the baseplate legs a maximum of 0,4 inches (10 mm). If the installation is directly on the wooden floor IKI recommends to use the heat shield in front of the heater.



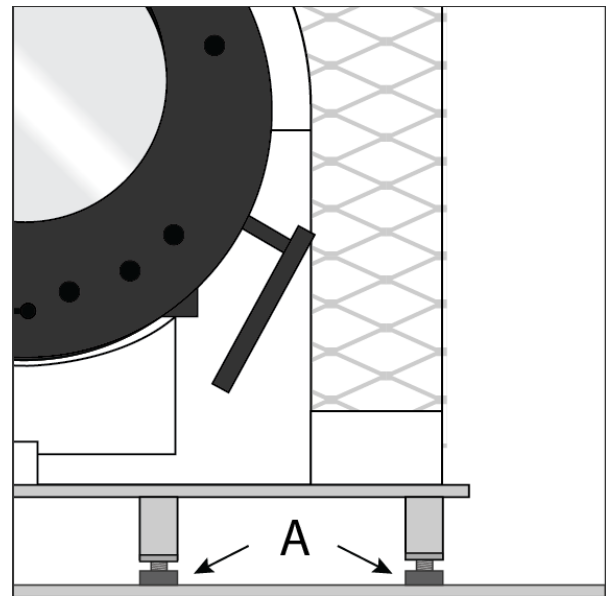
5. Install the fire plate in the front of the furnace's slots. Fire plate prevents the hot cinders from falling to the floor.



6. Install the glass hatch to the hinge (A) by removing the hinge bolt (B).



7. Then insert the glass door between the hinge and reattach the hinge bolt.



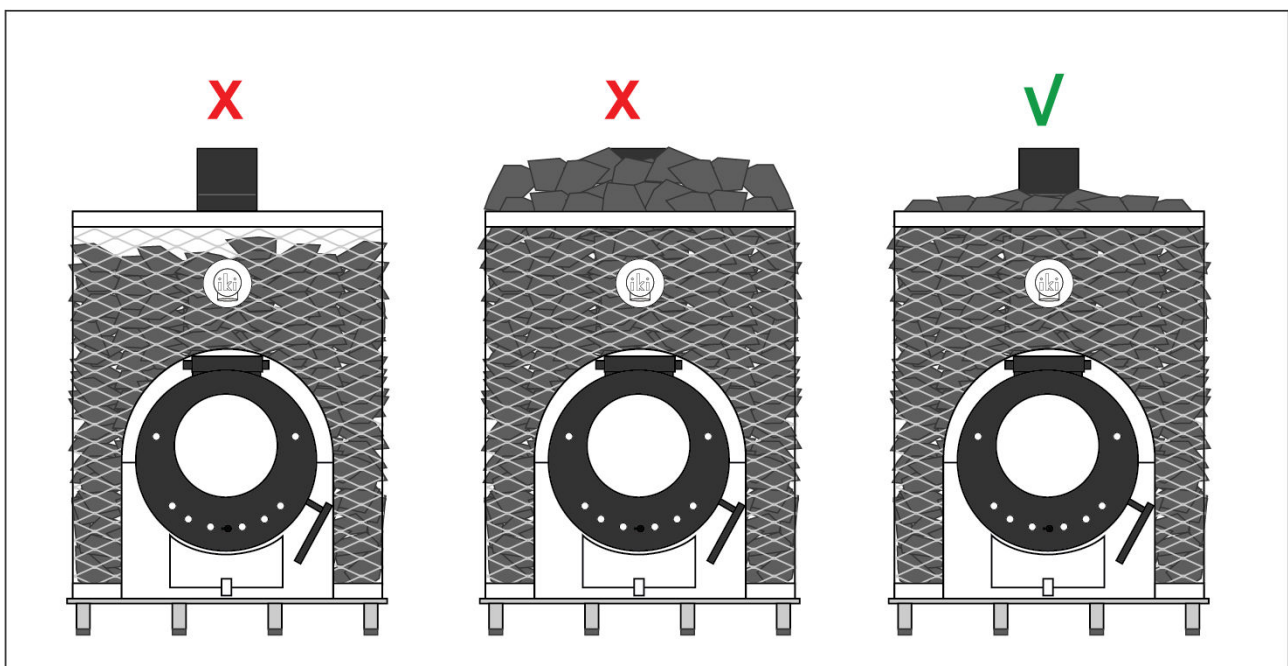
8. Please adjust the legs to level off the stove by adjusting the "trim screws" (A) from the baseplate.

2.2 Setting the stones into stove:

Stones between 2 inches (5 cm) and 4 inches (10 cm) in diameter are recommended. The best sauna stones are peridotite, and olivine-dolerite or olivine-diabase. Do not use soft stones, or stones with any cracks or fissures. It is very important to use only the correct stones in your Iki sauna heater. The stones should not be placed too tightly together, allowing for free air flow between the stones. Even natural stones can be loaded in the outer edges where the stones are not in touch with the heating surfaces.

Fill the space between the mesh frame and the furnace with stones carefully, one stone at a time. The first 8-11 inches (20-30 cm) from the floor are the most crucial ones while setting the stones into the heater. Then the mesh takes its final round form. The mesh and the furnace intermediate space must be stoned as accurately as possible so that the stones will cover the furnace.

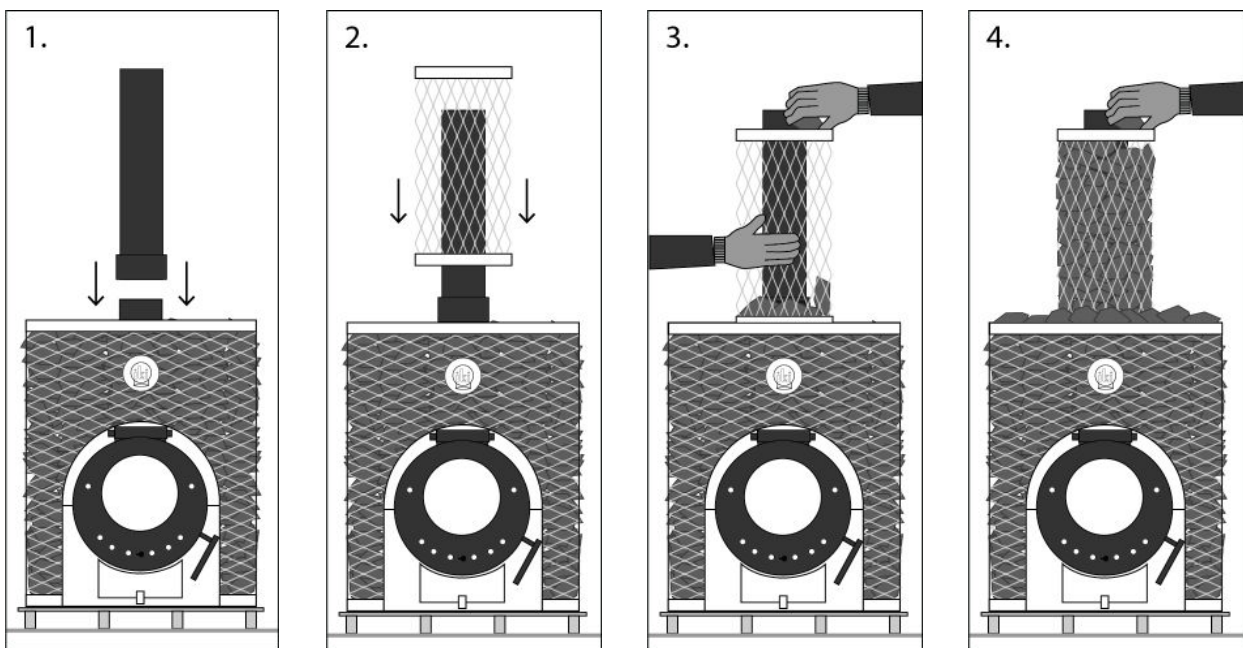
NOTE: Stones will break down from in time when heated and cooled repeatedly. Stones change interval depends on the quality of the stone and the stove utilization. Check the condition of the stones in normal operation each year, if necessary, remove the broken stones and replace them with new ones.



2.3 Plus version installation instructions

As the stove consists of a separate furnace and fire tube and two separate frames, the installation is done in phases as follows:

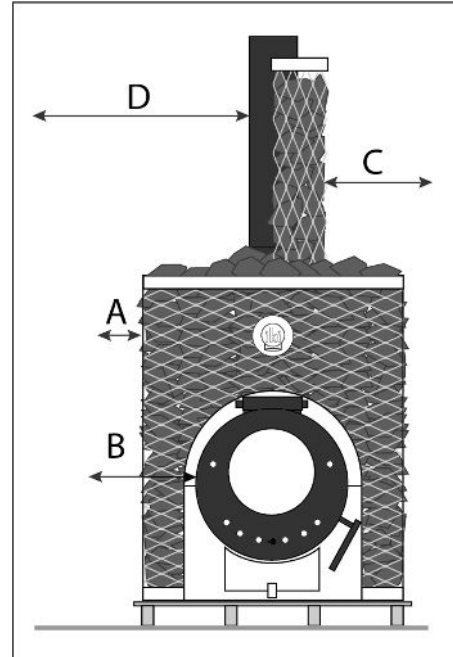
1. Assemble the lower part of the stove as in Mini-IKI and Original-IKI, instructions without setting the stones yet to the top part.
2. Adjust the connection chimney pipe and the upper mesh in the connection point of the chimney (picture 1. and 2.).
3. Pile the stones to the lower part of the stove. The mesh should lie against the circular firetube. The piling of stones in the space between the upper mesh frame and the chimney pipe should be done one stone at a time. When loading the stones try to cover the chimney pipe as well as possible. The mesh frame settles in its place when approximately 4 inches (10 cm) of stones have been loaded from the surface of the furnace. It is recommended that two people do the loading of the stones of the upper mesh (pictures 3. and 4.).



3. Safety distances to flammable structures

Please note that the gap between the furnace and the stone mesh must be loaded carefully with stones.

- **A.** From the stone mesh full of stones to the side 4 inches / 100 mm
- **B.** From the neck of the furnace to the side 10 inches / 250 mm
- From the glass hatch to the front 31.5 inches / 500 mm
(Tip! Leave 39.5 inches / 1000 mm to have service space)
- **C.** From the chimney pipe loaded with stones and equipped with a mesh to the side 10 inches / 250 mm
- From the chimney pipe loaded with stones and equipped with a mesh upward 20 inches / 500 mm
- **D.** From a chimney pipe without stones to the side 20 inches / 500 mm
- From a chimney pipe without stones upward 39.5 inches / 1000 mm

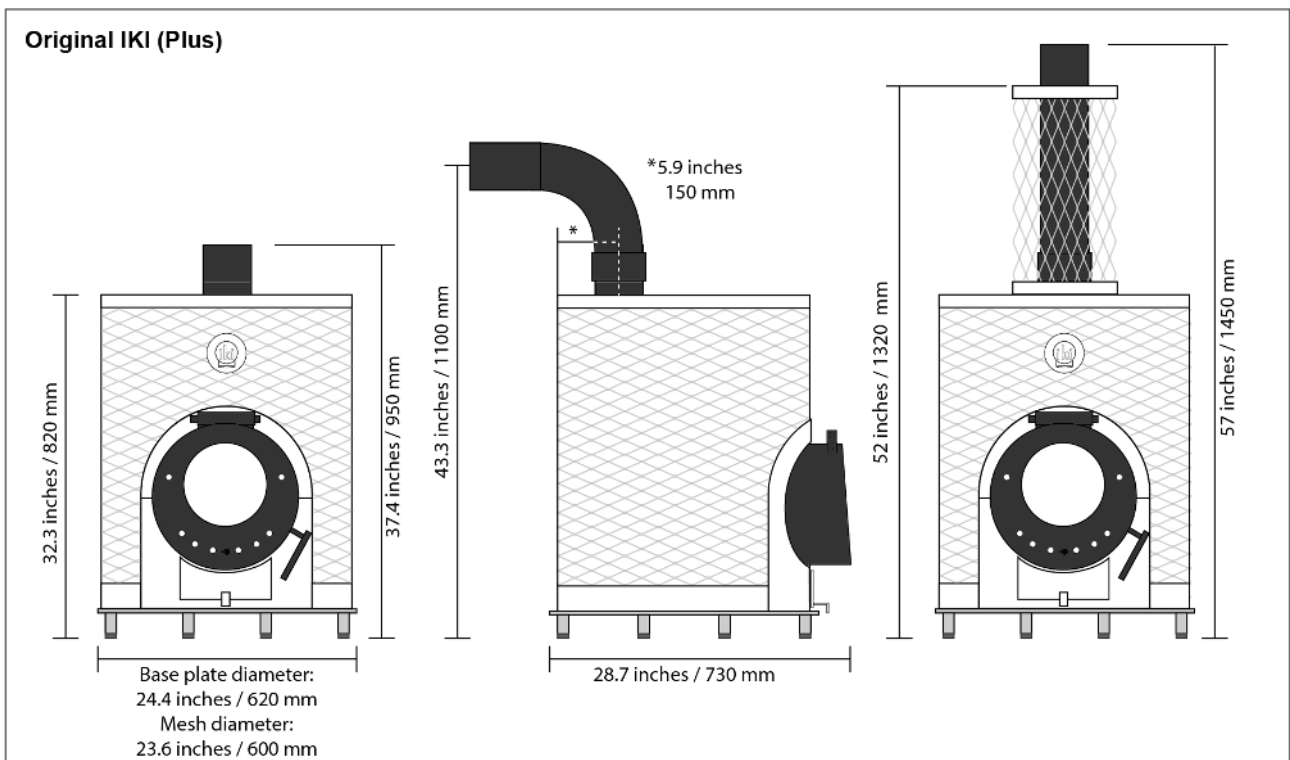
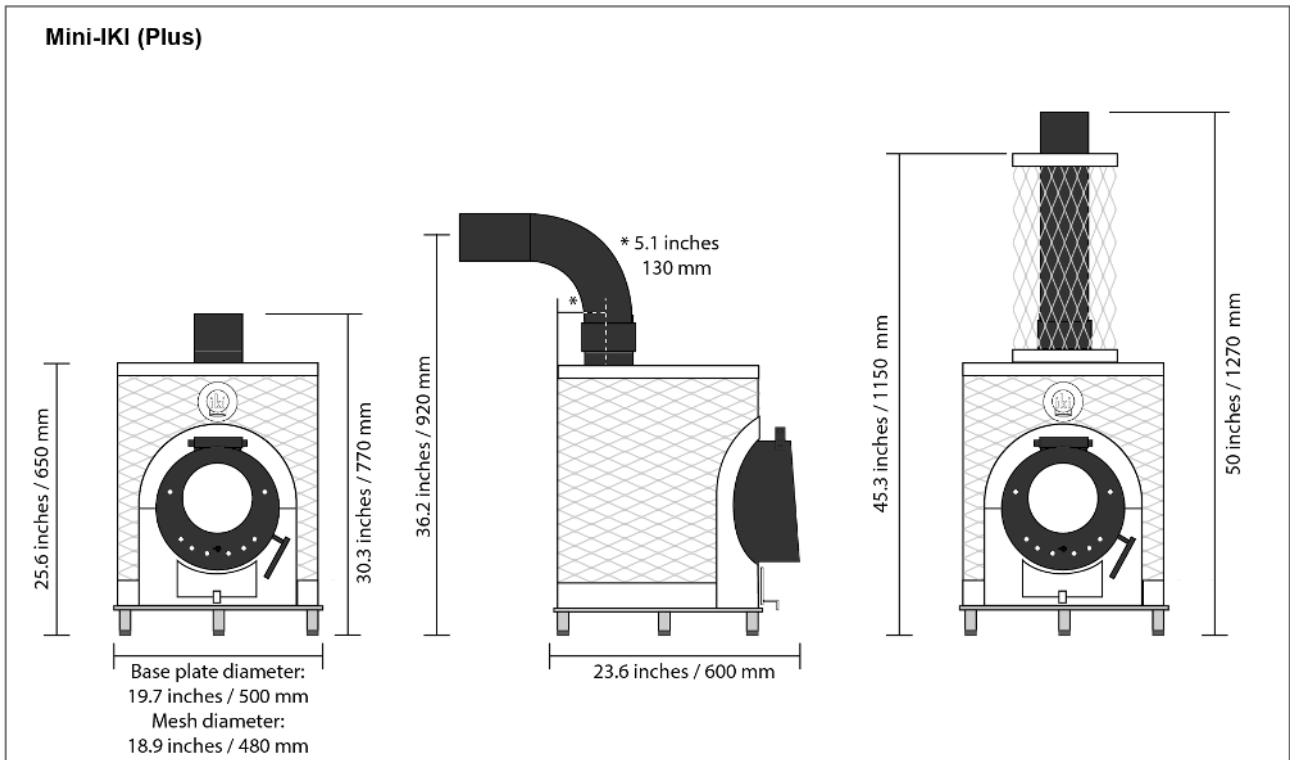


3.1 Reducing the safety distances

- 50 % when using simple protection (i.e. 1mm metal/fiber board and a 30mm cavity)
- 75 % when using double protection (double protection board and a cavity)

ATTN! The IKI "Plus" version of the chimney pipe and upper mesh loaded with stones reduces the safety distances 50 % compared to plain chimney pipe without stones.

4. Dimensional drawings and Connection heights

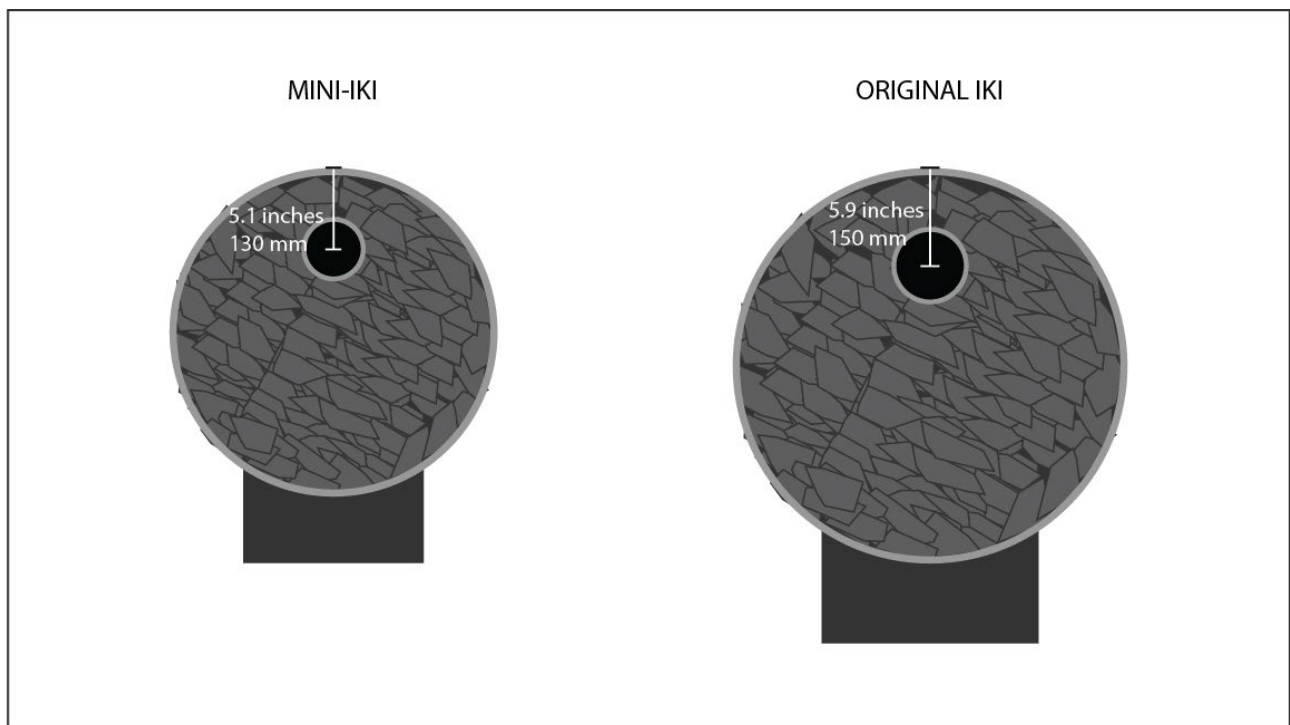


5. Model table

	Size of sauna	Max. amount of stones	Weight (w/o stones)	Height	Diameter	Depth of furnace
Mini-IKI	176-423 ft ³ 5-12 m ³	264 lbs 120 kg	110 lbs 50 kg	25.6 inches 65 cm	18.9 inches 48 cm	19.7 inches 50 cm
Mini-IKI Plus	176-423 ft ³ 5-12 m ³	352 lbs 160 kg	121 lbs 55 kg	45.3 inches 115 cm	18.9 inches 48 cm	19.7 inches 50 cm
Original IKI	353-882 ft ³ 10-25 m ³	660 lbs 300 kg	154 lbs 70 kg	32.3 inches 82 cm	23.6 inches 60 cm	23.6 inches 60 cm
Original IKI Plus	353-882 ft ³ 10-25 m ³	750 lbs 340 kg	165 lbs 75 kg	52 inches 132 cm	23.6 inches 60 cm	23.6 inches 60 cm

The outer diameter of the stove's chimney pipe is 4.528 inches (115 mm).

The distance from the center of the chimney pipe to the back of the heater rim is in MINI-IKI 5.1 inches (130 mm) and in Original IKI 5.9 inches (150 mm).

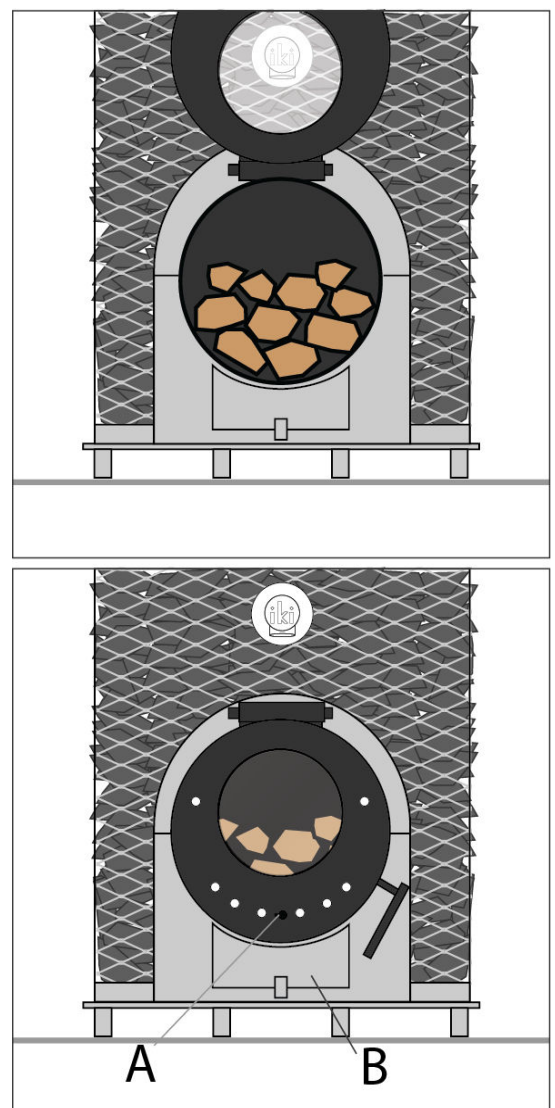


6. Instructions for using the stove

The heating time of an IKI stove is approximately 60-75minutes to get the saunastones ready for the appropriate temperature. This can vary depending on the starting temperature and the ventilation of the sauna room. Recommended bathing sauna temperature to enter the saunas with the IKI is approximately 131-167F (55-75C). Then by adding water to the stove you can increase the temperature to a preferred level. Pouring water on the stove increase's temperature and humidity. You can control the heat and humidity by pouring the water to different parts of the stove. You can adjust the feel of the heat and steam from soft to sharp by throwing water either to the side of the stove or by pouring water on top of the stones at different places.

6.1 Initial load and lighting the fire

1. Clean the ashes from the furnace and remnants from the previous time you used the stove.
2. Open the damper of the chimney, the knob on the stove hatch (**A**) and ash box (**B**) under the furnace to get incoming compensation air to maximum amount.
3. Set the wood (max. 2/3 of the height of the furnace) lengthwise in the front/middle part of the furnace, the bigger wood under and the smaller wood on top.
4. Light the fire on the top of the woodpile, for example with a lighter piece, cardboard packages, birch bark or chopped firewood. Keep the draft in fully open position at that moment.
5. There is a knob (**A**) in the stove hatch that allows you to regulate the draft. The regulation is done by moving the knob to the right (open) and to the left (shut).
6. You can also regulate the draft by opening the ash box (**B**) under the furnace.
7. When adding wood to the furnace during heating, use the custom ash tool (picture below) to pull the embers to the front of the furnace against the fire plate and add 2-3 pieces of chopped wood on top of the ember in front/middle part of the furnace. IKI recommends that the maximum amount of firewood should be 2/3 of the space in the furnace.
8. **NOTE!** The hatch of the stove may change color with time, or the paint may wear out. The hatch can be repainted using 600-degree heat resistant paint, if needed. Before painting, the hatch should be sanded and then polished and cleaned with a degreaser agent.





IKI Ash tool

7. Troubleshooting

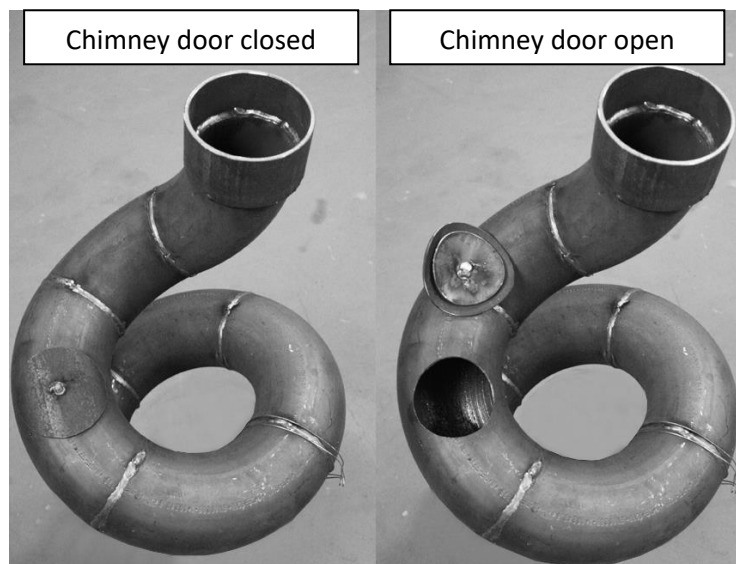
Description of the problem	Instructions to solve the problem
No draft is produced in the chimney Sends smoke back into the room	<ol style="list-style-type: none"> 1. Check the chimney (block, birds nest), check that the damper is open. 2. Has the chimney been sooted according to the instructions? 3. Are you in a region of low pressure? Burn some paper in the furnace first, keeping the hatch open. 4. Check that the fire lighters are dry.
The draft is too strong	<ol style="list-style-type: none"> 1. Regulate the draft with the hatch and, if needed 2. If the chimney is high, regulate the damper
The sauna does not heat up correctly	<ol style="list-style-type: none"> 1. Is the stove correctly measured with regard to the sauna room? (space, level of insulation, are there many log walls or a lot of stone surfaces) 2. Is the ventilation correctly measured? 3. Are there enough stones, have they been loaded correctly? 4. Check the condition and quality of the stones (Olivine-dolerite stones, smaller than 10 cm in diameter)
The stones do not heat up enough	<ol style="list-style-type: none"> 1. Are there enough stones? Have they been loaded correctly? 2. Check the condition and quality of the stones (Olivine-dolerite stones, smaller than 10 cm in diameter) 3. Is the firewood dry and has it been loaded according to the instructions?

8. The water quality for the stove

Features of the water	Effect	Recommendation
Humus content	Color, taste, precipitation	< 12 mg / l
Iron in the water	Color, smell, taste, precipitation	< 0,2 mg / l
Hardness: The main ingredients manganese (Mn) and calcium (Ca)	precipitation	Mn < 0,05 mg / l Ca < 100 mg / l
Chlorinated water	Health hazard	PROHIBITED!
Sea water / salt water	Fast corrosion	PROHIBITED!

9. Sweeping instructions

1. Start by removing the stones from the stove.
2. Open the hatch in the chimney pipe on the stove (as seen in picture below). This does not require any tools.
3. Sweep the chimney using a bendable nylon brush. **DO NOT USE** a metal brush! It might damage the pipe from inside.
4. Another option is to use an industrial vacuum cleaner to clean up the spiral.
5. Finally, spray or pour some water and/or use the brush to clean up the detachable chimney pipe **(not the spiral!)**



10. Ventilation of the sauna and getting compensation air

A wood burning stove needs sufficiently compensated air in order to burn well. A sauna room also requires oxygen-rich breathing air for the sauna bathers. Also, the drying of the sauna room after bathing requires a functional ventilation system. There are several ventilation systems provided by manufacturers, but there is probably no system that would be the only correct one. It is most important to have fire ventilation near the stove and some fresh air for the bathers to breathe.

10.1 Tips for ventilation

Fire ventilation can work near the stove from outside, for example through a pipe equipped with a 50-100 mm grate and a disc valve beside the stove on the floor (for example a 50-100 mm pipe 50-100mm above the floor). Fresh bathing air is directed beside the stove for example with a 100 mm pipe 50-100 mm above the stone pocket of the stove.

The flow out of the sauna is preferably between the lower and upper bench through a disc valve equipped with an adjustable grid on the wall. The air valve can also be placed on the ceiling or on the wall up close to the ceiling, opposite the stove. The stove makes the air rotate inside the sauna room and the oxygen-rich compensation air moves upward and heats up in the process.

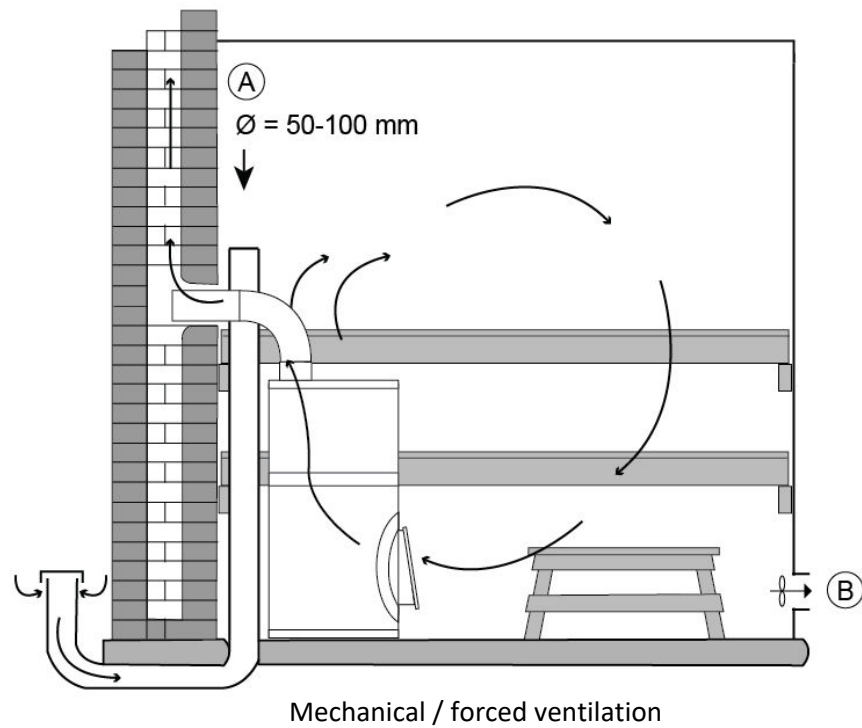
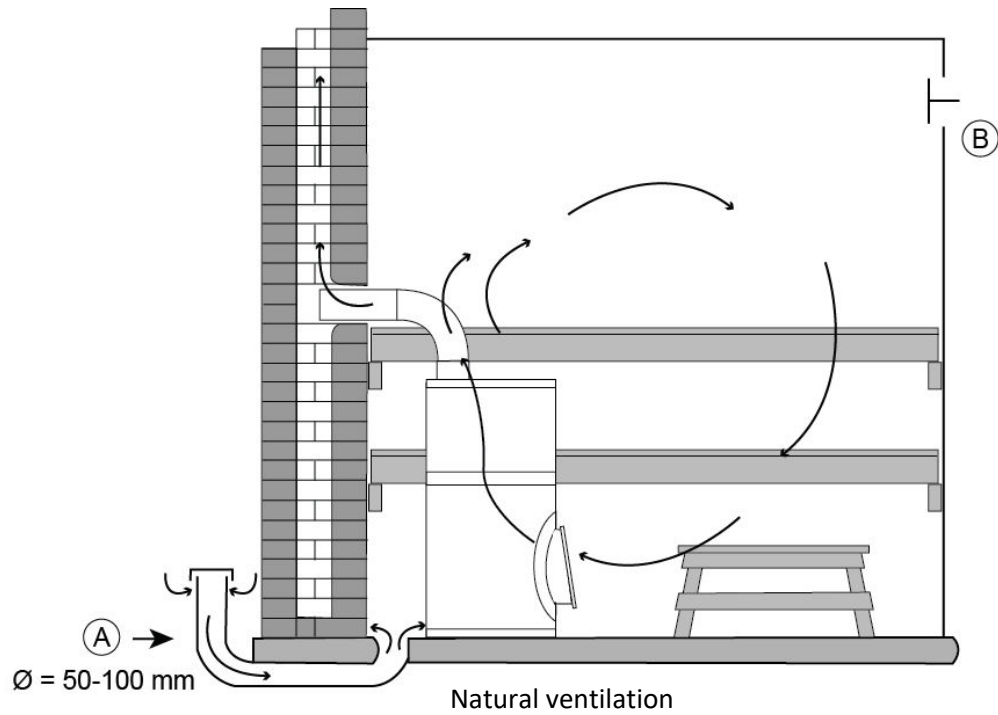
10.2 Automatic ventilation

In automatic ventilation the air circulation and ventilation is assisted with an IV machine, otherwise the principle is the same as in the natural ventilation.

10.3 Using a chimney ventilator and several furnaces in the same room

- A chimney ventilator is not recommended to be used with the IKI wood burning sauna stoves. The temperatures of the combustion gases may break the ventilator
- If there is more than one furnace in the same room, their combustion gases must be directed to their own exhaust ducts. For example a cauldron and stove require a 2-passage chimney
- The fire ventilation and compensation air inlets must be measured as per situation (capacity for two furnaces, adjustable valve for the amount of air)

11. Example pictures of a correct air ventilation



12. Warranty

IKI-Kiuas Ltd. grants its products a warranty according to the following conditions. The manufacturer guarantees the quality and functionality of its products for the duration of the warranty period. The warranty applies to products sold and in use within the EU Region. The warranty requires that the buyer of the product follows the manufacturer's instructions regarding the placement of the heater, its installation, use and maintenance as well as those regarding the qualities of the stones used in the heater. The warranty duration is two (2) years from the date of purchase of the product. For spa-and public saunas the warranty period is one (1) year or is determined based on the rate of usage. More information from the manufacturer.

Wood burning Warranty is subject to the following:

1. In case of defect or malfunction, the buyer must always contact the manufacturer or sales agent first before searching for the cause or attempting to repair it.
2. Stones are laid during the warranty period at least once a year and damaged stones replaced.
3. Institutional and professional use the stones have to be set again three times a year and replace them at least once a year. Proof of the operation must be presented at request. Valid guarantee of the product proof of purchase, construction works on the reception protocol, or a similar document. Ceramic heater stones are prohibited (except KERKES stones). If they are used, the warranty is not binding on the manufacturer.
4. Warranty does not cover the benches dismantling and reassembly of the stove or unloading stones and replacing.
5. **The spare part warranty** is valid for one (1) year from the date of purchase. The broken part of the corresponding replacement will be shipped free of charge to the seller or the buyer directly. The manufacturer is not responsible for the failed component removal and installation of the new part of the costs. The broken part must be sent to the manufacturer. Contact the manufacturer of your contract of carriage number before you return the part. Valid guarantee is the dealership's sales receipt, or a certificate issued by an authorized installer. The use of an authorized mechanic is required for installation of the replacement part
6. **Warranty Limitations of Liability:** The product owner must take good care of the product. On receiving the product, check that there is no transport or storage damage. In case of such damage, immediately inform the seller of the product or the shipping company. The manufacturer is not responsible for any errors, malfunctions, or defects caused by transport or by improper storage, contrary to the manufacturer's instructions for installation, operation, maintenance, or failure to product placement in a state where the circumstances do not meet the manufacturer's recommendations.
7. **Error reporting:** The buyer is the product of the error or malfunction as soon as it has occurred, and no later than within 14 days. Notification is made to the seller of the product. Warranty requirements shall be made no later than 14 days from the date of the product of the warranty period has expired.
8. Guarantee the continuation of appropriate Warranty Statement found on the basis of the manufacturer will repair or replace the defective product. Repair or replacement is done at the expense of the manufacturer. The manufacturer is entitled to a favorable option. The spare part warranty is defined in section 5 Replaced spare part is given in accordance with paragraph 5 of spare parts guarantee. The original product warranty remains otherwise unchanged. The manufacturer is

IKI Wood burning stoves | Instructions for installation and use

not liable for reimbursing any expenses, business loss or other direct or indirect harm occurred to the buyer from damages or malfunction

9. **Restoration packaging** is the responsibility of the sender. Products will be packed very carefully, so that the products are not damaged in transit. Around the product should be at least 5 cm cushion. Ikikiuas Ltd recommends that you always use the original product packaging; the manufacturer of the product is designed packaging for safe delivery.
10. Ikikiuas Ltd is not responsible for carelessly packed Iki heaters and refunds for damage during transportation. Transportation costs from the client side must be paid by the customer. Ikikiuas Ltd reserves the right to recover the cost from the customer, if the customer returns have been subject to, or breach of the contract. Customer will be charged a processing and shipping fee.
11. **Quality guarantee:** Ikikiuas Ltd guarantees the stainless steel components for private home usage for 10 years. During the warranty period occurring raw material or manufacturing defects resulting from the defects will be corrected free of charge. For example, throwing salt water on the heater is not allowed!

The warranty does not cover natural stone color variations characteristic, lustoisuutta and hairline cracks that do not affect safety and operations. Shipping damage must be entered in the transport document, the product is received, or within 7 days of arrival of goods to the recipient. Transport damage must also be reported to the shipping company's last contact. The damaged part must be kept for inspection. The delivery company's insurance compensates for the new one.

