



Carutti

Glass Fiber Lighting Sets



Sauna Lighting

After you have decided on what kind of sauna bench arrangement you want in your sauna, it's time to focus on choosing the right lighting. Some things to consider when choosing the right lighting solutions for your sauna are whether you want to bring in light from the ceiling of your sauna with optical fibers or would you rather have indirect linear light from behind the backrest of your sauna bench or from under the bench itself.

Often, a fiber with a heater lens is installed on the ceiling above the heater to illuminate and draw attention to your sauna heater, the focal point of your sauna. When choosing lights to your sauna, you must also consider the electrical safety regulations and make sure that the lights in question are suitable for installation inside the sauna.



Glass Fiber Lighting Sets

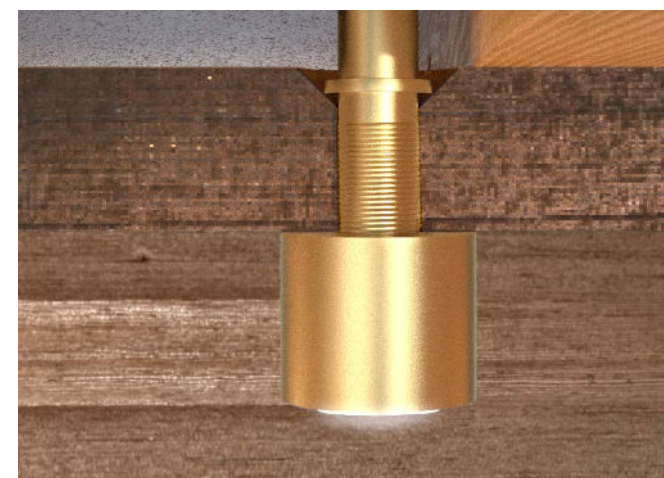
Cariitti's Glass Fiber Lighting sets come with a led projector that consumes little energy and has a long lifespan. The projector is completely silent and produces just a small amount of heat which makes it ideal for a sauna.

To make your sauna lighting really stand out you can add different light fixtures from the Cariitti collection to the glass fiber lighting sets.



Glass Fiber Light Installation

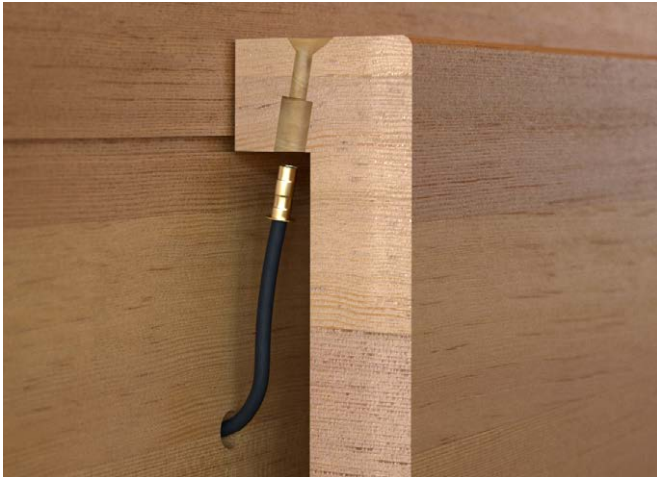
When installing the sauna lights the fibers are lead behind the wall panels. The fibers should be placed near the desired lighting location. If needed, the fibers can be attached to aluminum foil with aluminum tape while waiting for the final installation into the panel. While attaching the panels, pay attention that the fibers do not get compressed between the panels or that they will not get sharp 90-degree bends or get punctured by nails while paneling.



The projector can be placed in an adjacent room near the sauna, such as a dressing room or washroom. Alternatively, the projector can also be installed in the sauna room under the benches, maximum installation height 28" (70 cm) from the floor, IP class 65.

Due to the variation in the material strength of the different panels, it is common to have to counter-drill when installing. It is best done with a tapered blade and is done either on the top or bottom of the panel as shown in the pictures.

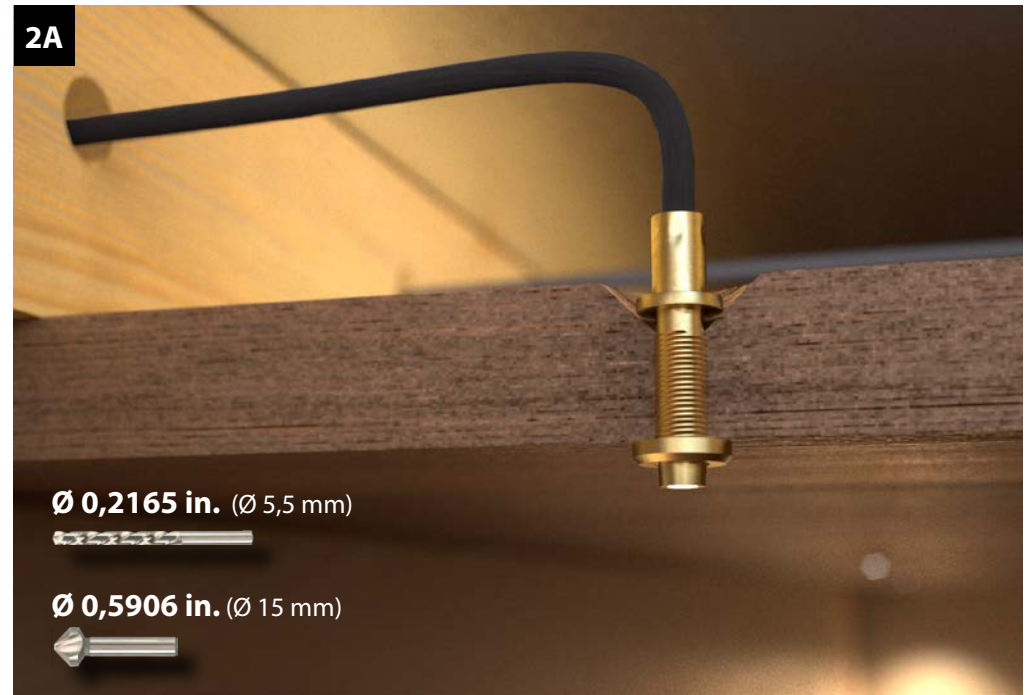
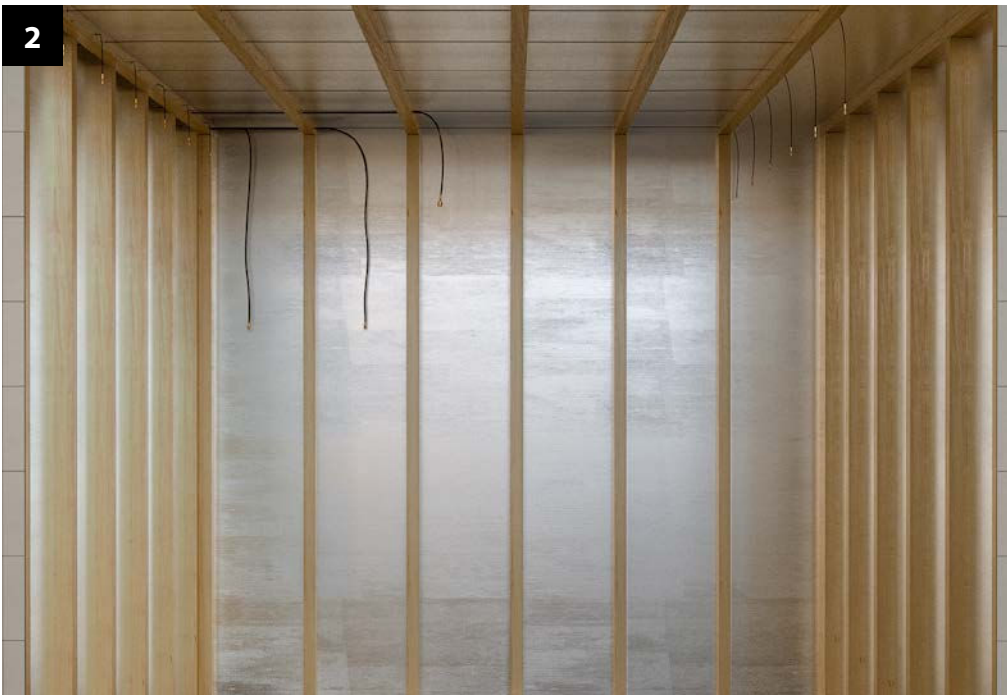
The heater lens is typically installed into the ceiling on top of the stove to illuminate the steam and the heater. The diameter of the light cone changes when the lens is screwed towards the end of the fiber. The deeper you rotate the lens, the wider the cone becomes. It's good to take this into account when counter-drilling.



The end result can be finalized with various lighting fixtures, such as illuminated thermometers.



Some of the fibers may be installed on the sauna benches or backrests. The picture shows the installation of the fiber from the backrest upwards. To get the best lighting result, it is a good idea to drill the installation holes so that the fiber is about 10-15° away from the wall.



2B

Epoxy glue

Ø 0,2165 in. (Ø 5,5 mm)



Ø 0,5906 in. (Ø 15 mm)



3

Ø 0,5906 in. (Ø 15 mm)



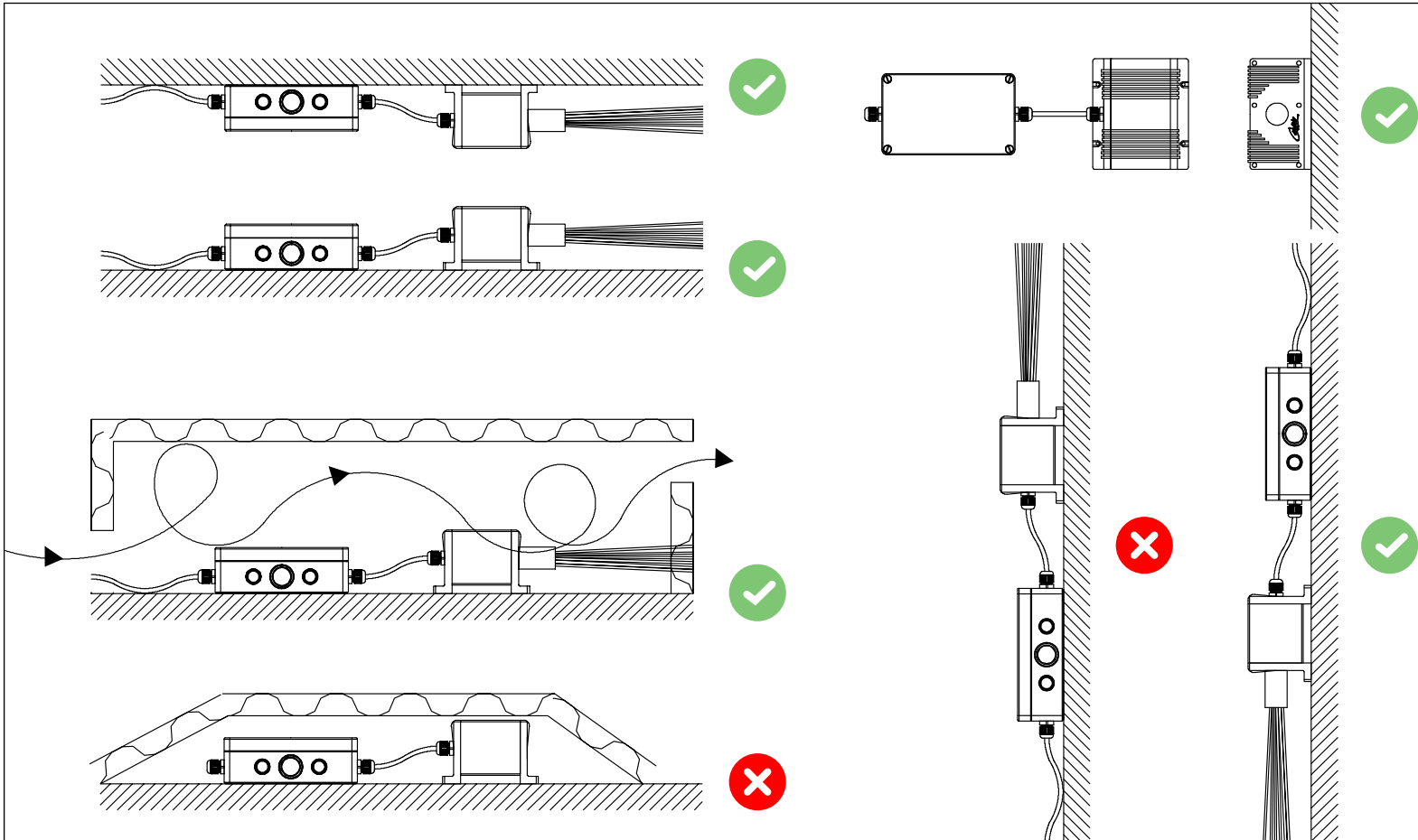
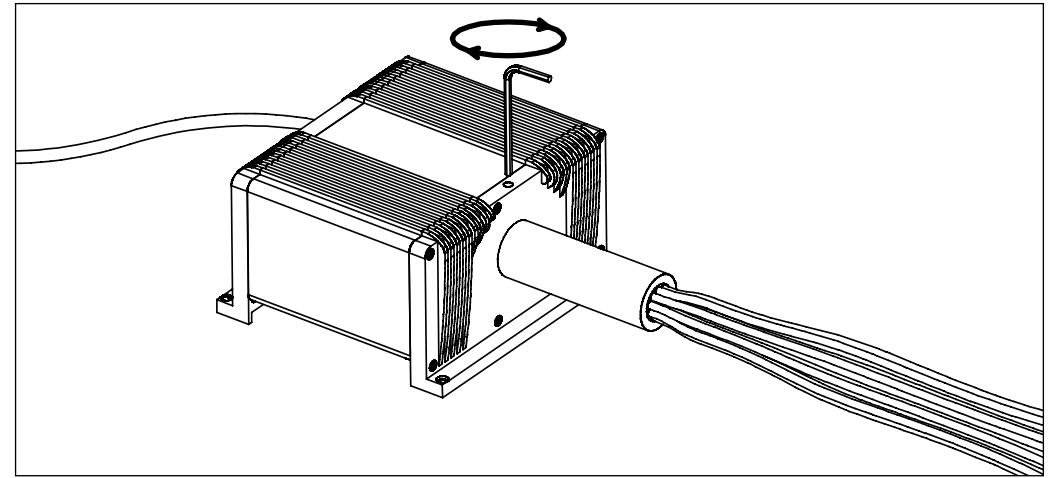
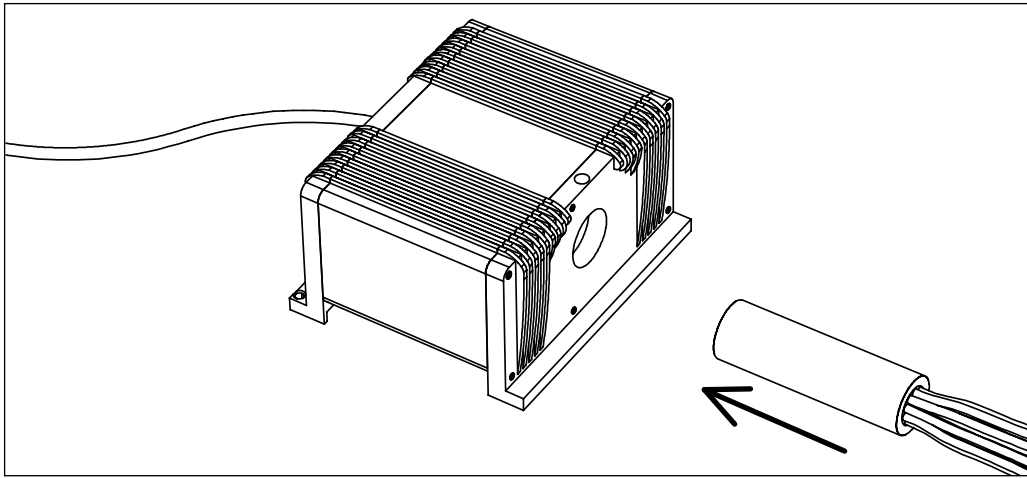
Ø 0,2165/0,3346 in.
(Ø 5,5 / 8,5 mm)



4

Ø 3,6 in.
(Ø 92 mm)





Do not install inside the sauna

In case the manufacturer's installation instructions are not followed, and if any other components than those listed in the instructions are used, the manufacturer's guarantee and liability become null and void.

100 - 277 V
 Ta -13 °F ... +122 °F
 Ta -25 °C ... +50 °C



IP55

Cariitti



www.cariitti.com

Subject to change.