



**HIVE Flow**



**HIVE Flow  
Mini**

**ENG SAUNA STOVE**

2-31

**FR POÊLE POUR SAUNA**

32-61

# TABLE OF CONTENTS

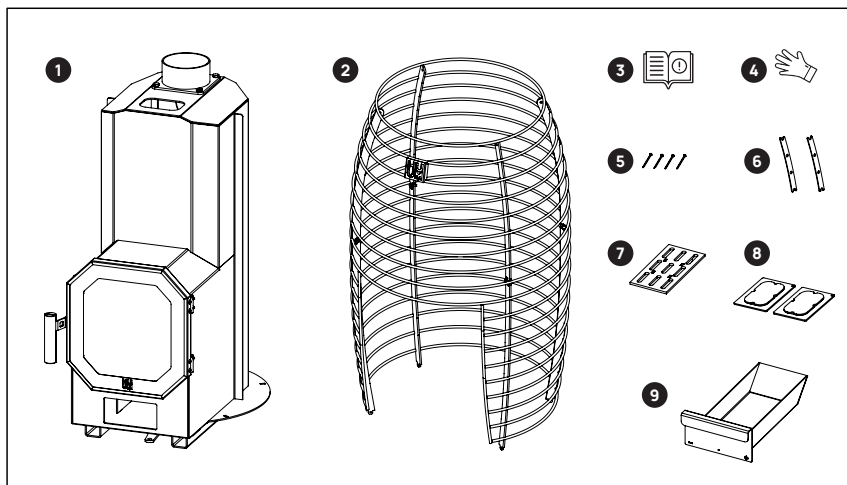
<b>GENERAL</b>	<b>4</b>
<b>INSTALLATION</b>	<b>6</b>
PRE-INSTALLATION HEATING	6
BASE SURFACE	8
SAFETY DISTANCES	8
CONNECTION TO THE FLUE	11
<b>SAUNA ROOM</b>	<b>12</b>
WALL MATERIALS AND INSULATING OF THE SAUNA ROOM	12
DARKENING OF THE SAUNA ROOM WALL	13
FLOOR OF THE SAUNA ROOM	13
VENTILATION	14
<b>USE</b>	<b>15</b>
LAYING OF STONES	15
HEATING	16
STARTING THE HEATING	17
FILLING THE HEARTH DURING HEATING	18
MAKING STEAM	20
FINISHING THE HEATING	20
<b>MAINTENANCE</b>	<b>21</b>
<b>REMOVAL FROM USE</b>	<b>22</b>
<b>WARNINGS AND NOTES</b>	<b>22</b>
<b>SOLVING PROBLEMS</b>	<b>23</b>
<b>WARRANTY</b>	<b>25</b>
<b>APPENDIX 1 - TECHNICAL DATA OF THE SAUNA STOVE</b>	<b>26</b>
<b>APPENDIX 2 - DECLARATION OF HIVE FLOW PERFORMANCE</b>	<b>27</b>
<b>APPENDIX 3 - DECLARATION OF HIVE FLOW MINI PERFORMANCE</b>	<b>28</b>
<b>APPENDIX 4 - SPARE PARTS</b>	<b>29</b>
<b>APPENDIX 5 - ACCESSORIES</b>	<b>30</b>



# HIVE Flow

## SAUNA STOVE

### Installation and operation manual



HUUM HIVE Flow sauna stoves include:

- ❶ sauna stove heated by firewood;
- ❷ metal grate;
- ❸ sauna stove installation and operational manual;
- ❹ heat resistant glove;
- ❺ splits;
- ❻ metal fixing plates (2 pcs);
- ❼ ash grate;
- ❽ cleaning hatches (2 pcs);
- ❾ ash drawer.

Spare parts article numbers can be found in the **Appendix 4 and 5**

**ATTENTION!** A sauna stove needs stones. We recommend using HUUM 5-10cm sauna stones (See Appendix 5, page 30-31).

**ATTENTION!** Only the specialist of the relevant field may connect the wood-burning sauna stove described in the manual to the chimney.

# GENERAL

Thank you for choosing **HUUM Flow**. You have chosen a unique sauna stove that is the cleanest woodburning stove on the market. You will not just have an unforgettable sauna experience, but also keep the environment clean.

For an optimal and safe sauna experience, it is strongly recommended to review the operation manual and retain it for future consultation.

The latest operation manual can always be found on HUUM's website: [huumsauna.com](http://huumsauna.com)

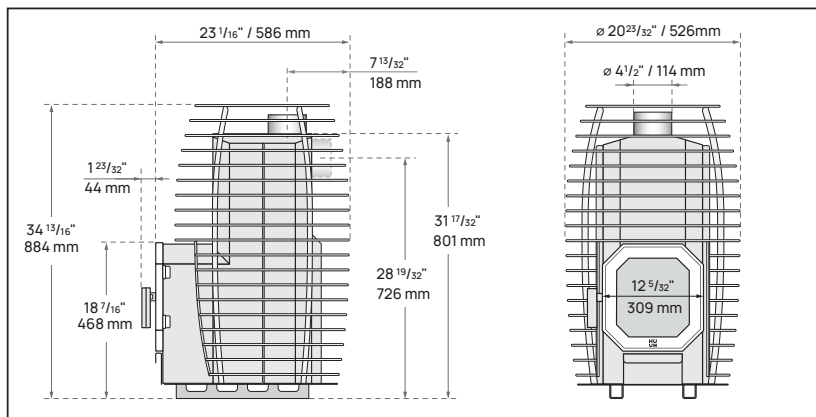


Figure 1. Dimensions of the HIVE Flow sauna stove.

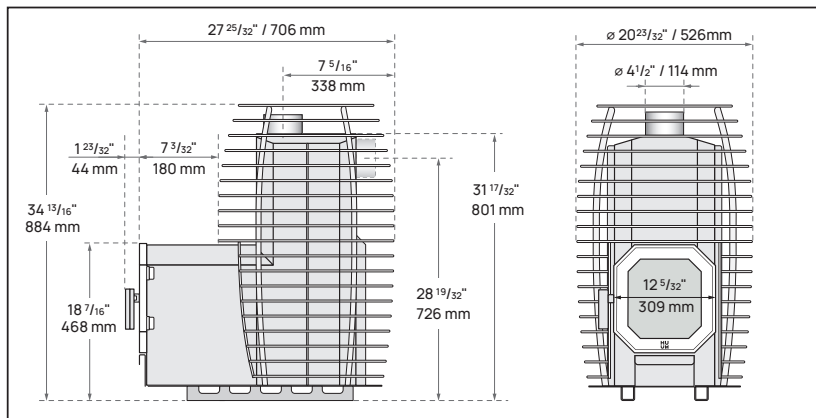
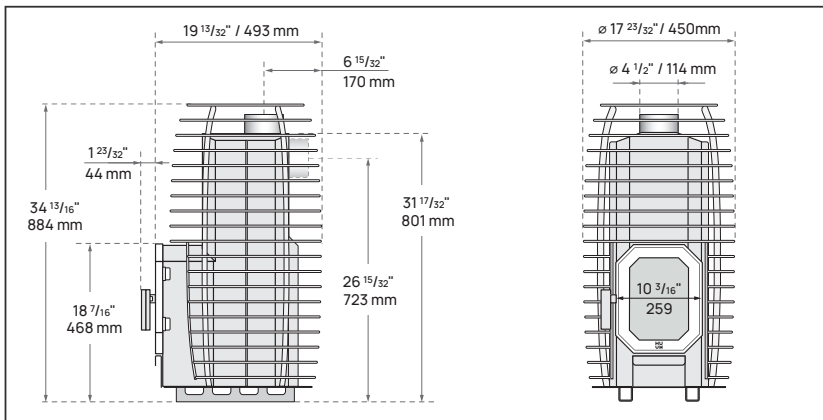


Figure 2. Dimensions of the HIVE Flow LS sauna stove.

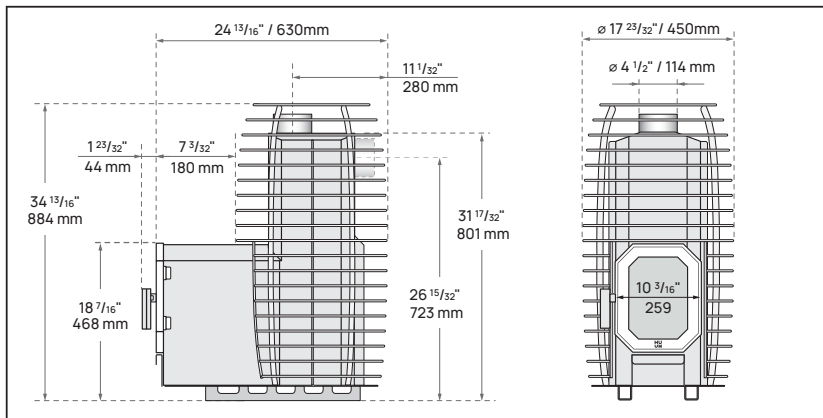
- The operation manual contains technical data for the sauna stove as well as instructions for installation, operation, and maintenance.
- The product is intended solely for use as a sauna stove.
- Changing the construction of the sauna stove is strictly prohibited and may result in serious malfunction. It will result in termination of the warranty.
- Use only HUUM spare parts offered by the manufacturer.

**Appendix 4, page 29.**

- Changing or removing the data label attached to the sauna stove is prohibited.
- The technical data of the sauna stove has been provided in **Appendix 1.**



**Figure 3.** Dimensions of the HIVE Flow Mini sauna stove.



**Figure 4.** Dimensions of the HIVE Flow Mini LS sauna stove.

# INSTALLATION

- All relevant local regulations should be followed when installing the sauna stove, including those referring to country specific standards and European standards.
- Before installing and using the sauna stove, thoroughly review the requirements for installing the sauna stove in the sauna room. If you have questions or to obtain additional information, be sure to contact the local or national fire safety agency or consult an authorized specialist.
- Before installation, make sure the power rating of the stove corresponds to the volume of the sauna room. The suitable cubic capacity of the sauna room has been provided in **Appendix 1**. If there are uninsulated brick, tile or glass walls in the sauna room, an additional sauna room volume of 1 m<sup>3</sup> should be calculated for each square meter of such a wall.
- The maximum room size where this stove is allowed to be installed has been presented according to the methodology provided in standard EN15821:2010.

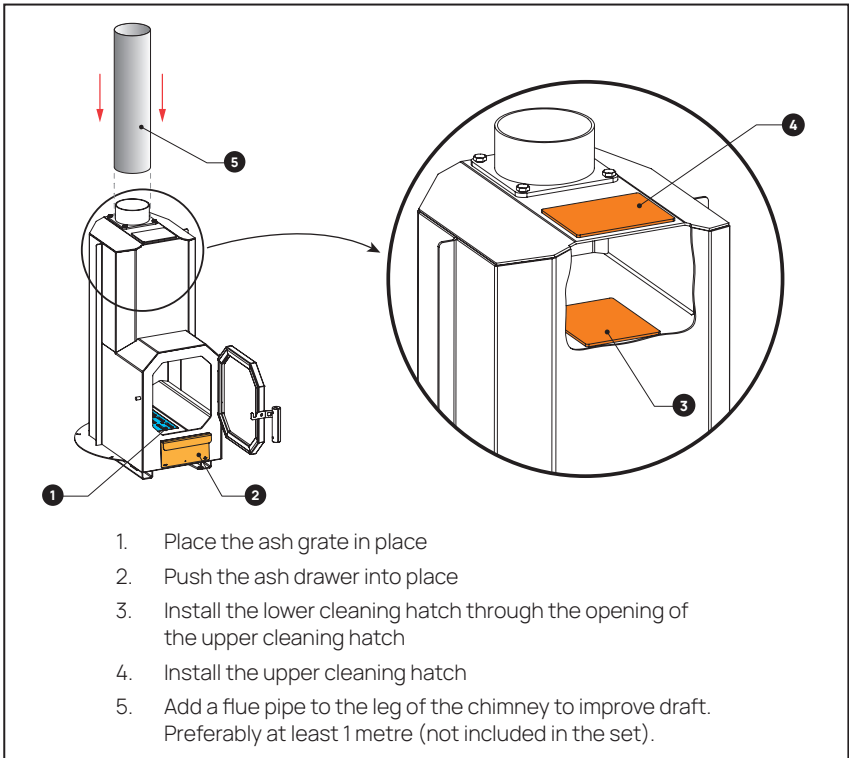
**ATTENTION!** The manufacturer's warranty is void if the capacity of the sauna stove does not correspond to the volume of the sauna room, non-insulated surfaces are not taken into account and/or there is insufficient ventilation in the sauna.

See more about  
best practices for  
sauna construction



## PRE-INSTALLATION HEATING

**ATTENTION!** Before installation, the sauna stove must be heated outdoors at least once while following general fire safety precautions. This is necessary as the protective paint layer of the body of the sauna stove emits harmful and unpleasant-smelling fumes during the first heating. The paint gains durable properties during the first heating.



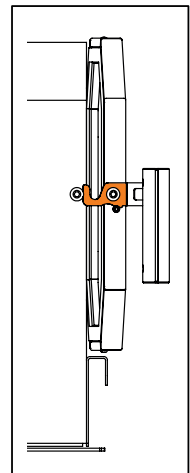
**Figure 5.** Assembling the stove for pre-installation heating.

Heat the sauna stove in well-ventilated outdoor area that is sheltered from the wind. This will enable the stove surfaces heat up evenly.

- Before heating for the first time, be careful not to scratch the surface of the sauna stove.
- Remove the stone grate for pre-installation heating.
- Do not lay stones on the body of the sauna stove.
- Do not throw water on the sauna stove during first heating.
- 1-2 hearths of firewood is enough for the first heating.
- You can stop heating when no visible smoke or steam is released from the surface of the stove.
- During the pre-installation heating, keep the door slightly open. Do not close the door at any stage during the first heating. (See Figure 6.)

**ATTENTION!** The door seal may stick to the heater body and detach!

- To improve draft, you can use flue pipes used in final installation.



**Figure 6.** Door position

## BASE SURFACE

The sauna stove is installed in the sauna room to the floor of non-combustible material with sufficient load-bearing capacity. The concrete floor with the thickness of at least 2" (50 mm) is suitable.

**If the floor heating cables or pipes are located under the sauna stove**, the thermal plate for HUUM sauna stoves or other non-combustible material and additional protection with sufficient thickness and load-bearing capacity should be used to protect these from heat radiation. The information on HUUM thermal plate has been provided in **Appendix 5, page 30**.

**In case of the floor made of combustible material**, it is mandatory to use the thermal plate for HUUM sauna stoves or some other non-combustible material and additional protection with sufficient thickness and load-bearing capacity. The ventilation gap of at least 30 mm is mandatory between such a base and the floor, so that air can move freely.

## SAFETY DISTANCES

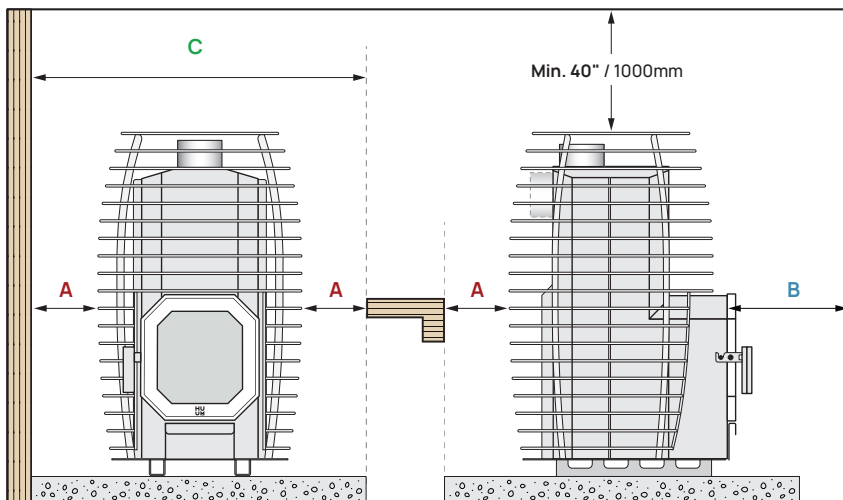


Figure 7. Safety distances of HIVE Flow sauna stove from flammable materials (e.g. wooden wall, bench etc).

Table 1.	Room	Weight	Quantity of stones	A	B	C
Flow	282-636 ft <sup>3</sup> 8-18 m <sup>3</sup>	148 lb 67 kg	10 x 33lb 10 x 15 kg	6 in 150 mm	20 in 500 mm	33 in 826 mm
Flow LS	282-636 ft <sup>3</sup> 8-18 m <sup>3</sup>	161 lb 73 kg	10 x 33lb 10 x 15 kg	6 in 150 mm	19.7 in 500 mm	33 in 826 mm
Flow Mini	212-494 ft <sup>3</sup> 6-14 m <sup>3</sup>	119 lb 54 kg	7 x 33 lb 7 x 15 kg	6 in 150 mm	20 in 500 mm	30 in 750 mm
Flow Mini LS	212-494 ft <sup>3</sup> 6-14 m <sup>3</sup>	130 lb 59 kg	7 x 33 lb 7 x 15 kg	6 in 150 mm	20 in 500 mm	30 in 750 mm



There should be at least 2" (50 mm) between the wall of **non-combustible material** and the stove.

**Safety distances can be reduced** by using protective screens made of non-combustible material. The single-layer light protective screen allows to reduce the safety distances by 50% and the double light protective screen by up to 75%. The protective screen is included in the safety distance, which means that the distance is measured to the flammable material, not to the protective screen. There should be a gap of at least 2" (50 mm) between the protective screen and the sauna stove.

**The safety distance between the sauna stove and the ceiling** can be reduced by 25% by using the single protective screen. The double protective screen is not used in the ceiling.

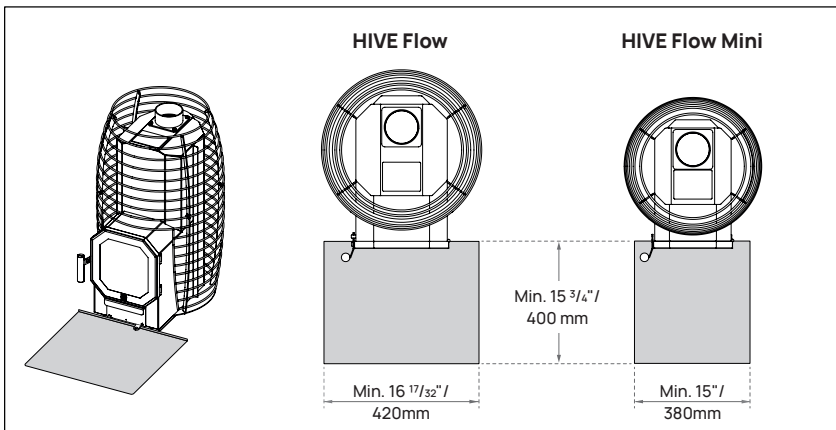
**The single light protective screen** is made of at least  $\frac{9}{32}$ " (7 mm) thick non-combustible, fibre-reinforced cement board or of at least  $\frac{5}{127}$ " (1 mm) thick metal plate, which is firmly attached to the wall. An air gap of at least  $1\frac{3}{16}$ " (30 mm) should remain between the surface to be protected and the protective screen.

**The double protective screen** can be made of the same materials as mentioned above. There should be an air gap of at least  $1\frac{3}{16}$ " (30 mm) between the protective screen and the wall. There should be an air gap of at least  $1\frac{3}{16}$ " (30 mm) between the protective screen and the floor and ceiling to ensure adequate air circulation.

**ATTENTION!** Before reducing the safety distance, please check the local safety laws and regulations in your country.

**When installing flues**, the safety distances specified in the instruction manual of the respective manufacturer should be followed.

To **protect flooring made of combustible material** in front of the sauna stove, the sheet metal plate should be attached to the floor in front of the stove, which extends at least 4" (100 mm) beyond the sides of the door opening of the stove, and at least  $1\frac{3}{4}$ " (400 mm) in front of the stove. The edge of the plate closest to the stove side should be bent up so that the coal falling from the sauna stove does not get under the stove. Information on HUUM floor protection plate (sold separately) has been provided in **Appendix 5, page 30**.



**Figure 8.** HIVE Flow and Flow Mini sheet metal plate for floor protection (sold separately).

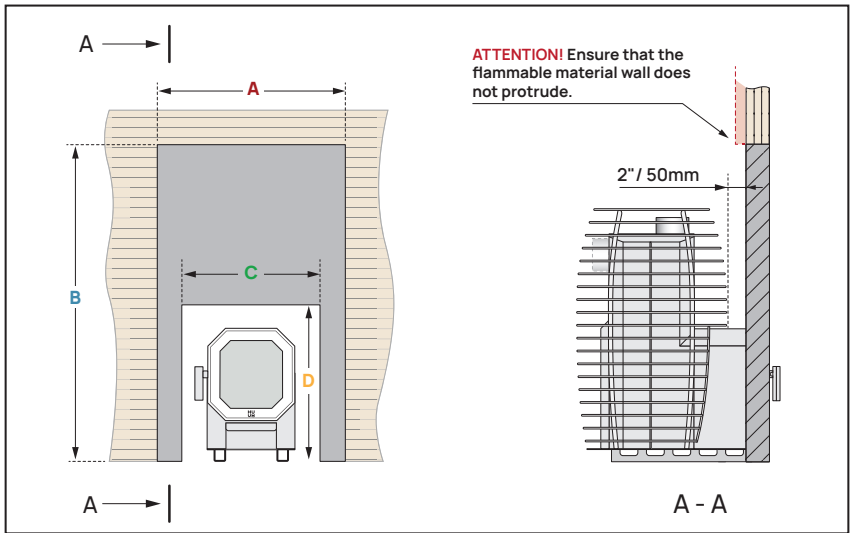


Figure 9. Installing HIVE Flow LS and Flow Mini LS sauna stoves through the wall.

The minimum dimensions for the non-combustible wall and the opening in the case of HIVE Flow LS are provided in **Table 2**. For HIVE Flow Mini LS, see **Table 3**.

Table 2.	A	B	C	D
Sauna stove on the floor, without mounting collar.	26 in 650 mm	41 in 1050 mm	13 in 320 mm	19 in 470 mm
Sauna stove on the floor, with HUUM mounting collar.	26 in 650 mm	41 in 1050 mm	19 in 485 mm	22 in 560 mm
Sauna stove on protective bedding, with HUUM mounting collar.	26 in 650 mm	43 in 1100 mm	19 in 485 mm	24 in 615 mm

Table 3.	A	B	C	D
Sauna stove on the floor, with no mounting collar	26 in 650 mm	41 in 1050 mm	11 in 270 mm	19 in 470 mm
Sauna stove on the floor, with HUUM mounting collar.	26 in 650 mm	41 in 1050 mm	17 in 435 mm	22 in 560 mm
Sauna stove on protective bedding, with HUUM mounting collar.	26 in 650 mm	43 in 1100 mm	17 in 435 mm	24 in 615 mm

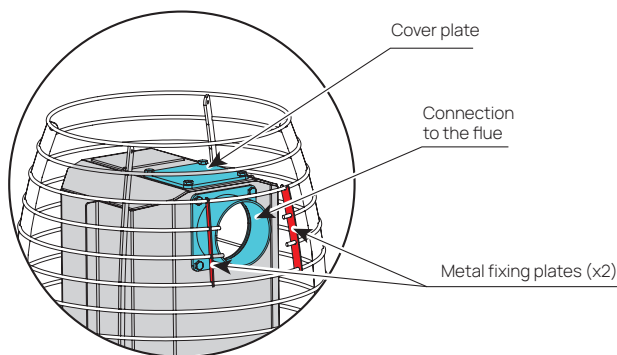
The protective bedding and mounting collar are accessories designed to simplify installation and add finishing touches. These items are sold separately. The maximum thickness of the non-combustible wall when using HUUM mounting collars is up to 6" (150mm), and without it up to 4" (100mm). Please refer to **Appendix 5** for more details.

## CONNECTION TO THE FLUE

**ATTENTION!** The connection between the sauna stove and the flue can only be made by a certified installation expert.

The flue (chimney) must comply with the specifications provided in **Appendix 1**.

HIVE Flow sauna stove can be connected to the flue both from the top and back of the sauna stove. To connect from the back, the positions of the bolted chimney leg and cover plate should be changed.



**Figure 10.** HIVE Flow back connection. The two ribs should be cut according to the diameter of the chimney element and the loose ends of the ribs should be fixed with the metal fixing plates found in the package.

- To connect the sauna stove to the flue, only flue pipes approved by the local fire and safety regulations should be used. HUUM offers standard chimney sets, the details of which can be found in **Appendix 5**.
- The joints of the chimney system should be sealed using the special heat-resistant rope and/or stone wool.
- When installing flues, the safety distances specified in the respective manufacturer's instructions should be followed.

The average and maximum flue gas temperature of the sauna stove heated according to the manual is below 673 °F (400 °C). Therefore, the sauna stove can be connected to an existing flue gas system that already has a fireplace connected.

**ATTENTION!** Be sure to coordinate this with the local government and rescue board / fire department in advance, as requirements may vary from region to region.

# SAUNA ROOM

## WALL MATERIALS AND INSULATING OF THE SAUNA ROOM

In a sauna, all heat accumulating wall surfaces (glass and concrete walls, brick, plaster, etc.) should be insulated in order to use the woodburning stove with optimal output. This prevents heat loss in the sauna room and overheating of the stove.

### The following sauna construction guidelines can help ensure a well-insulated sauna room:

1. An insulation layer of 2 - 4" (50-100mm) thickness is installed (foam insulation boards covered with a vapour barrier foil suit well).
2. Aluminium foil or other reflective material on top of the insulation material without a vapour barrier. The joints are covered with foil tape.
3.  $1\frac{3}{32}$ " (10mm) ventilation gap (recommended) is left between the moisture barrier and the lining board with spacers.
4.  $1\frac{5}{8}$ " (12-16 mm) wooden lining board is suitable for interior finishing. Before installing the lining boards, check for power cables and reinforcements in the walls that are necessary for equipment installations, e.g. a sauna bench.
5. To prevent moisture from the floor, the distance between the board and the floor should be at least 4" (100 mm).
6. There is a minimum ventilation gap of  $\frac{3}{16}$ " (5 mm) between the wall and ceiling board.
7. Wooden sauna surfaces can be coated with sauna wax or oil to prevent dirt being absorbed into the wood.

### Ceiling of the sauna room

To optimize the sauna stove's output, the recommended height of the sauna room is 6' 6" - 7' 5" (2000 - 2300 mm). In case of a higher sauna room, it is advisable to lower the ceiling, thus reducing the volume of the sauna room.

1. The minimum permissible height of the sauna room for **HUUM Flow** sauna stove is **6' 2"** (1900 mm).
2. The distance between the top step of the sauna bench and the ceiling should be between 3' 6" and 4' 3" (1100 and 1300 mm).
3. The ceiling of the sauna room should be insulated in the same specification as the walls.

**ATTENTION!** When covering the walls or ceiling with heat protection (e.g. with mineral tiles), a sufficient ventilation gap should be left between the materials. Installing tiles directly on a wall or ceiling surface can cause dangerous overheating of wall and/or ceiling materials.

**ATTENTION!** Check with your local authorities responsible for fire safety regarding parts of the firewall can be insulated. It is forbidden to insulate flues in use.

## DARKENING OF THE SAUNA ROOM WALLS

Over time, the wooden materials used in the sauna room may begin to darken due to the high temperature. This is a natural process that does not pose a risk and is usually caused by the darkening of the wood or the wood protection product used. The darkening process can also be caused by the fine stone dust, breaking away from the sauna stones and lifted up by the airflow. By following the manufacturer's instructions when installing the sauna stove, flammable materials in the sauna room may not become dangerously hot.

**ATTENTION!** The highest allowed temperature for the wall and ceiling surfaces of the sauna room is 284°F (140°C).

## FLOOR OF THE SAUNA ROOM

Due to large changes in temperature, the sauna stones may crumble over time. Together with the sauna water, particles released from the stones and fine stone dust are washed onto the sauna floor. Hot stone chips can damage plastic covered floors under and near the sauna stove. The splashes of heating stones and sauna water (especially for iron-rich water) can be absorbed into the caulking of the tile floor.

In order to avoid aesthetic damage, ceramic tiles and dark joint filler should be used under and around the sauna stove.

## VENTILATION

The ventilation of the sauna room should be efficient enough to accommodate burning requirements (one kilogram of wood requires 211 - 353 ft<sup>3</sup> (6 - 10 m<sup>3</sup>) of oxygen-rich air to burn). The fresh incoming air should be directed as close to the sauna stove as possible.

For a healthy and pleasant sauna experience, it is important that proper air circulation is ensured in the sauna room during sauna use. You can find instructions on the proper sauna ventilation solution on

**HUUM's website: [huum.eu](http://huum.eu) "HUUM Blog - Sauna ventilation"**

After using the sauna, the room should be ventilated to get rid of excess humidity.

**ATTENTION!** The use of forced ventilation can cause room air exchange problems and insufficient combustion air in the hearth. Before installing and using the sauna stove, make sure that the existing ventilation system allows the use of the hearth. If necessary, contact the HVAC engineer or sauna installer for more information.

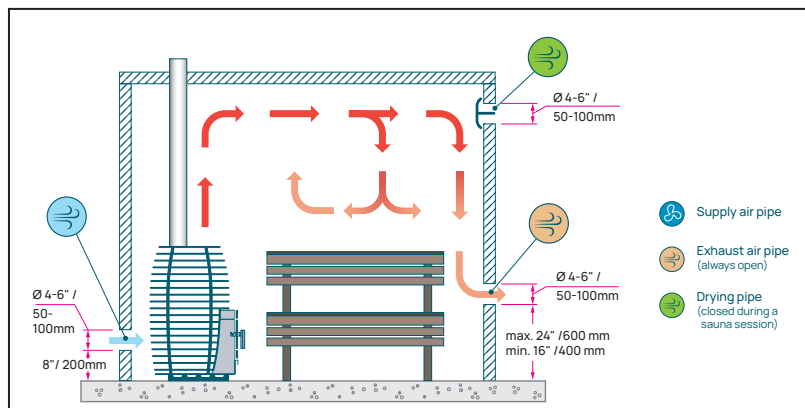


Figure 11. Gravity-based ventilation in a wood-fired sauna

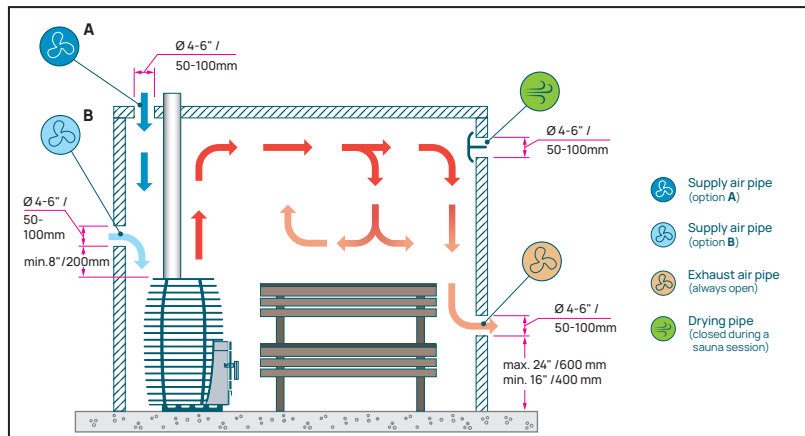


Figure 12. Mechanical ventilation in a wood-fired sauna

# USE

## LAYING OF STONES

We recommend using special HUUM sauna stones (see Appendix 5, page 30).

The stones found in nature may not be suitable for saunas, as these may crumble or/and release toxic chemicals.

- Before laying the stones, we recommend washing the stones clean of dust under running water.
- Before laying the stones, make sure that the cleaning hatches are securely in place.
- The size and quantity of suitable stones for the sauna stove have been provided in **Appendix 1**.
- HIVE Flow stone grate can be split. To insert and remove the lower stones, the upper part of the grate should be removed and raised as far as the chimney connection allows (**Figure 13**).
- The stones should be laid evenly layer by layer. Do not push stones between the stone grate and the hearth with force.
- Do not lay a high pile of stones, and make sure before the first use all stones are level with the top of the stone grate (**Figure 14**).

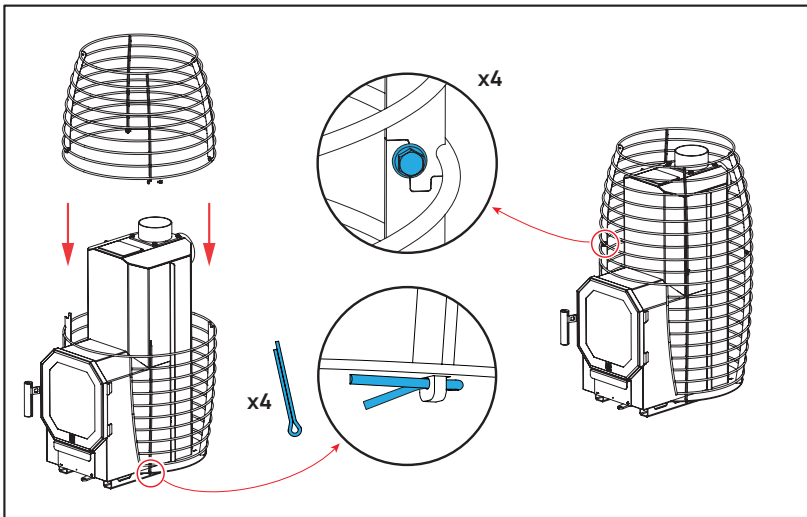


Figure 13. Splitting HIVE Flow stone grid.

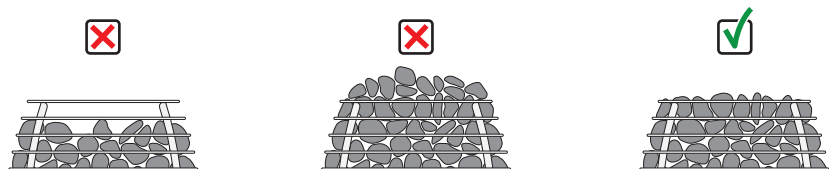


Figure 14. Laying of HIVE Flow stones.

## HEATING

**ATTENTION!** Before installation, the sauna stove must be heated outdoors at least once while following general fire safety precautions.

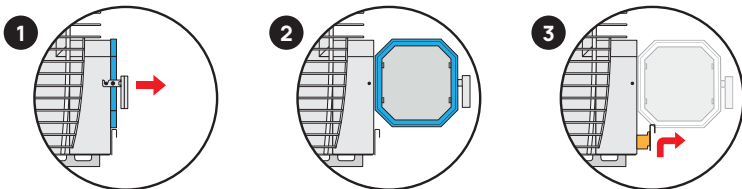
- Before starting the heating, make sure that there are safety distances around the sauna stove and there are no flammable objects or materials on top of the sauna stove.
- The sauna stove may only be heated with firewood. Both hardwood and softwood are suitable.
- Do not exceed the maximum amount of firewood, in kilograms, as specified in **Figures 16** and **Figure 17**.
- The optimum humidity of firewood is 10-15%. Very dry and fine firewood burn too intensively, thereby increasing the risk of overheating and excessive heating of the flues. Excessively moist wood burns poorly and tars the door and flues of the sauna stove.

**ATTENTION!** The use of other fuels, including liquid fuels, is prohibited!

- The most suitable firewood length is 1<sup>3</sup>/<sub>16</sub>" (30 cm). The maximum length of the log is 1<sup>9</sup>/<sub>16</sub>" (40 cm).
- The firewood added to the hearth could be of the same size and thickness. In this way, combustion takes place most evenly.
- The firewood weighing around 0.8-1.5 lb (0.4 - 0.7 kg) are most suitable for heating the sauna stove. Very thick firewood burns for a long time and the sauna takes longer to warm up. Very fine firewood burn too quickly, and the sauna stove and stones cannot store the heat.

**ATTENTION!** It is forbidden to cover the sauna stove!

- If a water tank is installed on the flue pipe of the sauna stove, fill it with clean water before starting the heating.
- Make sure that the ash grate is not blocked, clean it with the fire poker if necessary. Leave unburned coals from the previous time on the grate. Empty the ash drawer when it is more than half full.
- Avoid ash and combustion residues entering the lower space of the hearth, under the ash drawer. If necessary, remove the ash drawer and clean.
- To remove the ash drawer for emptying, open the hearth door, lift the ash drawer slightly and then pull it out (the ash drawer has a safety limiter that prevents it from being opened excessively during heating). See **Figure 15**.



**Figure 15.** Removing HIVE Flow ash drawer.



**ATTENTION!** Ashes and coals should be completely extinguished and cooled before emptying the ash drawer into a fire resistant waste bucket or combustible material container.

- Make sure there is a draft in the chimney. If in doubt, check the draft, by burning some paper in the hearth of the sauna stove.
- The maximum quantity of firewood provided in **Appendix 1** of the operation manual should not be exceeded. The firewood should not be added to the hearth of the sauna stove more often than the minimum intervals provided in **Appendix 1**. In case of very dry and also fine firewood, the amount of heating material should be reduced.

**ATTENTION!** Make sure you don't overheat the sauna stove!

If the surface of the sauna stove turns red, it is overheating. In this case, immediately close the air valve at the bottom of the stove to reduce the intensity of the combustion. The manufacturer is not responsible for deformations and damages of the sauna stove that have occurred as a result of overheating.

The firewood to be inserted to the hearth should be weighed at least for the first few times of heating. Later, this process could be repeated from time to time, especially if you change the length or type of firewood. An ordinary bathroom scale is suitable for weighing firewood.

## STARTING THE HEATING

The **first batch** should consist of medium-sized firewood and a small amount of fine chips. The maximum quantity of firewood in kilograms has been provided in **Appendix 1**

- Lay the thinner firewood for the bottom layer.
- Put the thickest ones as the middle layer.
- Cover the middle layer with thin firewood with chips for kindling.
- Place the firewood as far back as possible in the hearth, leaving about 10 mm of free space between the firewood and the back wall.
- Lay the firewood tightly to the hearth, leaving air gaps between the firewood is not necessary.

**Ignition** should take place from the **upper quarter** of the heating material. It is convenient to use a fire starter (non-liquid) or birchbark for lighting.

**ATTENTION!** Never light the fire from the bottom!

This causes burning that wastes fuel and pollutes the environment. Also, both the stove and the chimney heat up more slowly and the heating process takes longer.



Tutorial video

- **The air valve at the edge under the front part of the sauna stove** should be fully opened. If the draft in the chimney is too big and the burning is very intense, the burning speed can be reduced by adjusting the air valve.

- **Keep the ash drawer open for up to 15 minutes** after lighting. The ash drawer has a limiter that prevents it from being opened more than 1/8" (3 mm).
- **The hearth door can be kept open for approximately 2 minutes** after lighting. A few millimetres are enough. This reduces moisture condensation and soot sticking to the door glass.
- **No later than 15 min after lighting** (or earlier, when combustion has reached good momentum), **close the ash drawer completely** (push the drawer in). Leave it closed during the entire heating period, including when adding subsequent amounts of wood.

Removing the ash drawer during heating is prohibited. An open or missing ash drawer creates a risk of overheating and inefficient combustion.

**ATTENTION!** The manufacturer is not responsible for the consequences caused by overheating. An improperly heated sauna stove is not covered by the warranty.

**CAUTION!** The outer surfaces and stones of the sauna stove are very hot when using the stove! Do not touch!

**ATTENTION!** Do not open the stove door during the intense burning phase. If it is necessary for some reason, first open the door a few millimetres for 10 seconds. Then you can open the door as much as necessary. Otherwise, flames may shoot out of the hearth.

## FILLING THE HEARTH DURING HEATING

Adding firewood only takes place when the first batch has burned out, i.e. the firewood is no longer burning and glowing coals have formed. Adding firewood too early reduces the efficiency of the stove

- Choose equal-sized firewood for filling.
- Fill the hearth with firewood to a maximum of 2/3 of its height.
- **Figure 16** and **Figure 17** indicates the maximum number of firewood in kilograms for each filling procedure.
- Mix the coals with the fire poker before adding the firewood.
- Stack the firewood tightly to the hearth, as close to the back wall as possible.
- **Make sure the ash drawer is in the closed (fully pushed in) position.**
- Close the stove door.

If the second filling of the hearth is also necessary to reach the desired sauna temperature, repeat the same process.

**ATTENTION!** The ash drawer should always remain closed (except during the ignition phase).

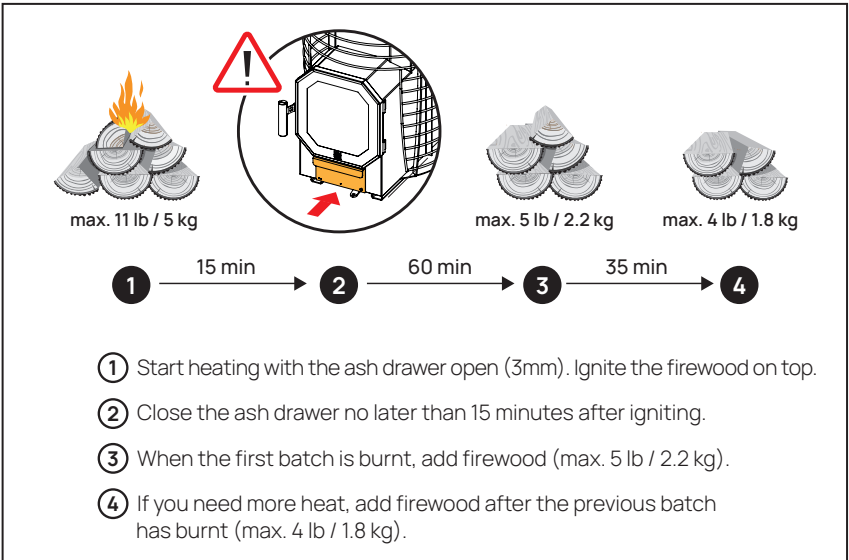


Figure 16. Starting HIVE Flow heating and adding the batch of firewood.

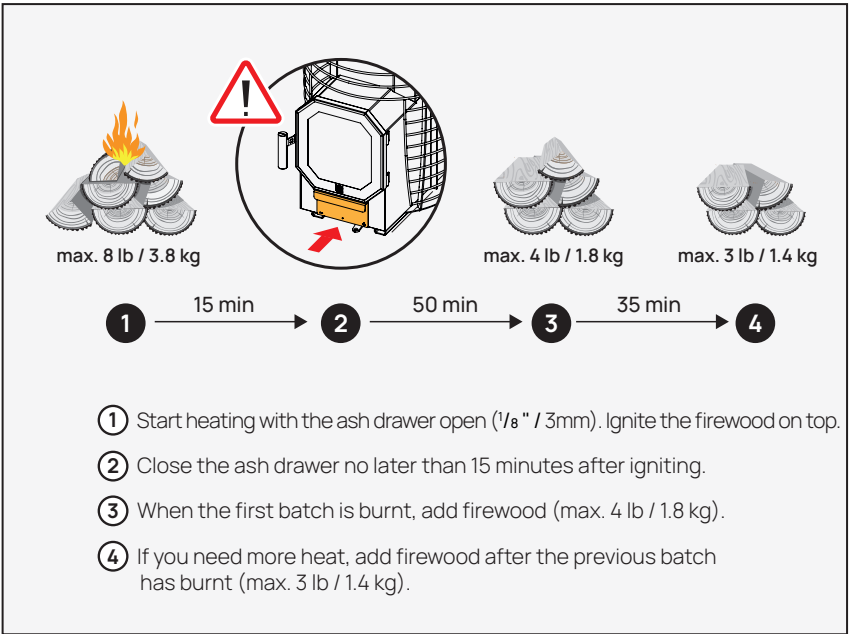


Figure 17. Starting HIVE Flow Mini heating and adding the batch of firewood.

## MAKING STEAM

As the sauna heats up, the air in the sauna room becomes dry. To achieve a pleasant humidity level and the best sauna experience, throw water on the hot stove stones.

- Start making steam only when the stones are properly hot and the water has completely evaporated from them.
- Too hard and iron-rich water changes the appearance of sauna stones. Do not use water containing salt or chlorine, as it causes corrosion of the body of the sauna stove.
- We recommend throwing about 1/3 cup (80 ml) of water on the stones at a time. If you want more steam, wait a few minutes and then pour the same amount again. This allows the stones to dry out and reheat in between.
- Aromatic liquids made of oil or any must substance should be diluted in steam water beforehand, otherwise these may catch fire in a hot sauna stove or on stones.
- Pour water evenly over the stones.

**ATTENTION!** Never make steam when someone is in the immediate vicinity of the sauna stove, as the hot steam can cause burns.

## FINISHING THE HEATING

Due to the special nature of combustion, a lot of coal is generated in the hearth. Depending on the number of firewood logs added to the sauna stove, the layer of embers formed in the hearth can burn for a long time.

**If you want the coals to burn faster at the end of heating:**

- Mix the coals with a poker and pile them in the middle of the hearth.
- Open the ash drawer as much as possible. The ash drawer's safety limiter prevents the drawer from being opened more than 1/8" (3 mm). An inflow of air occurs through the ash grate and intensive burning of coal begins.

We recommend scheduling the sauna session in the same time period when the coals are burning in the hearth. This way, you will save fuel and have a better sauna experience. When the coals are finished burning, close the ash drawer and the air valve located under the stove door, so the stove stays warm longer.

# MAINTENANCE

The stove properly heated with high-quality firewood does not create soot in the flues and does not require special maintenance. However, the chimney, connections of the flue pipes with the chimney and the flues of the sauna stove should be cleaned at least once a year. This work should be ordered as a service from a qualified chimney sweep. When cleaning the sauna stove, you should observe all local fire and safety regulations that stipulate the fire safety requirements for cleaning heating equipment (RTL 1998,195/196, 771 and RTL2000,99,1555).

**The flues of the sauna stove are cleaned at least once a year.** To do this, the upper stone layer should be removed from the stove so that access to the cleaning hatches is possible. If soot is visible inside the sauna stove, the flues should be swept. Every qualified chimney sweep has the appropriate equipment for this.

**Also, check the condition of the stones in the sauna stove at least once a year.**

Replace any cracked or otherwise damaged stones with new ones. Depending on the intensity of sauna use, it is necessary to partially or completely replace the stones with new ones on average every two years. When the stones that have outlived their time, heating takes longer, which in turn puts more strain on the structure of the sauna stove, wastes heating material and reduces the quality of the steam.



Tutorial video

**Clean the door glass** regularly, preferably before each heating. Special fireplace glass cleaners sold in stores are suitable for cleaning. You can also use moistened kitchen paper towels. Dip the moistened paper towel in fine white ash in the hearth and scrub away the soot deposited on the door. Then clean and dry the glass with a clean paper.

**Check the condition of the door seal** every time you clean the glass. If the door seal is damaged or comes loose, the sauna stove should not be heated. Without a seal, the combustion process receives too much air and can cause overheating. The door seal can be replaced. You can order a suitable seal and glue as HUUM's spare parts. See **Appendix 4, page 29**.

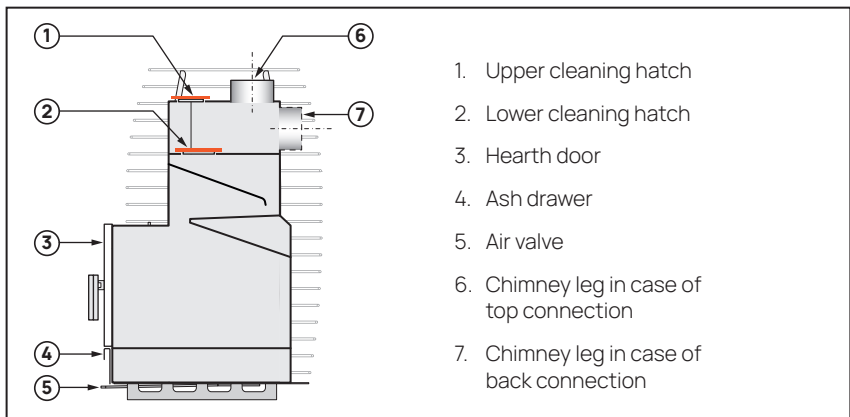


Figure 18. Details of HIVE Flow sauna stove.

# REMOVAL FROM USE

HUUM sauna stoves are designed to last with the aim of leaving the smallest possible ecological footprint on the environment.

When the sauna stove has served its time, take it and the related parts to a designated collection point for disposal in accordance with local legal regulations.

## General instructions for removal of the sauna stove from use:

1. Clean the hearth and flues of the sauna stove.
2. Disconnect the sauna stove from the chimney flues and close them.
3. Take the metal structures of the sauna stove to the designated collection point (e.g. designated metal recycling center).
4. Take the glass parts of the sauna stove to the designated collection point (e.g. designated waste center).

# WARNINGS AND NOTES

**The sauna stove is designed to heat the sauna room to the temperature of enjoying steam. It should not be used for any other purpose.**

**Do not heat the sauna stove if you do not have sufficient knowledge or if your state of health does not allow it to be done correctly.**

Due to the large stone mass of the sauna stove, it takes time to reach the desired temperature in the sauna room. Allow for time for the sauna stove to reach optimal temperature according to the operation manual. If you try to rush the heating by ignoring the rules of use, it leads to overheating, damage to the sauna stove and flues, and the risk of fire. The properly heated sauna stove stores heat for a long time and creates mild steam.

The best sauna room temperature for enjoying steam is **140 - 176 °F** (60 - 80 °C).

- Minors are not allowed to heat or use the sauna stove without adult supervision.
- Do not leave the sauna stove unattended in burning mode.
- The sauna stove can only be used when properly filled with stones.
- It is forbidden to cover the sauna stove, it causes a fire hazard.
- Do not touch the heated sauna stove, it will cause burns.
- The air valve and ash drawer become hot during heating. Use gloves or a fire poker to handle these.
- If the sauna stove overheats or other problems occur (e.g. soot fire in the flue), stop the burning process immediately. To do this, make sure that the ash drawer is closed and close the air valve at the edge under the sauna stove. If possible, limit the air supply to the sauna room. In case of a soot fire, be sure to have the chimney sweep clean the flue before the next use and check the condition of both the flue and the sauna stove.

- Avoid getting water on the hot door glass of the sauna stove! Tests have shown that the door glass of the sauna stove is durable, but the manufacturer's warranty does not apply to the glass. If the door glass is broken, order a replacement glass as a HUUM spare part. The list of spare parts **Appendix 4, page 29**.

**ATTENTION! Heating the sauna stove with cracked glass is prohibited!**

- If the sauna stove has not been used for a long time, make sure that both the sauna stove and the flue are in good condition before heating.
- To clean the hearth and use it safely, stock up on handy hearth accessories for the sauna room (scoop, brush, poker). Store these in a lower temperature (up to 104°F / 40 °C) part of the sauna room (e.g. under the sauna bench).
- Changing or rebuilding the structure of the sauna stove is prohibited.

## SOLVING PROBLEMS

### The draft of the sauna stove is weak

- The sauna stove has not been used for a long time and the flue and stones are damp.
- The sauna stove does not get enough air or there is underpressure in the sauna due to ventilation. Underpressure can be caused, for example, by using a kitchen hood.
- The sauna stove has not been cleaned for a long time.
- Leakage in the connection pipe.

### The sauna is not heating up properly

- Firewood is damp or too thick.
- The power of the sauna stove does not correspond to the cubic capacity of the room.
- The draft of the sauna stove or flue is weak.
- The sauna stones are dirty, crumbled. Inappropriate stones have been used.
- Structural and ventilation errors in the sauna.

### The sauna stove creates an unpleasant odor

- Pre-installation heating has not been done (see "**Pre-installation heating**" on page 6)
- The sauna stones have not been washed before installation.
- Grease or dirt has accumulated on the stones.
- Steam water is not clean.

**The sauna stove is overheating**

- The ash drawer is open during heating.
- The chimney draft is too big.
- Firewood is too thin and/or dry.
- The amounts and intervals of batches are incorrect (see **Appendix 1, page 26**)

**The oven glass is getting sooty**

- Sooting of the glass during oven ignition is normal. It is caused by humidity in the air and cold surfaces where water condenses. When starting the heating, keep the door slightly open by a couple of millimeters for the first few minutes to allow the surfaces to dry, and then close the door completely.
- The wood used for heating is too moist. If possible, store/dry the wood indoors.

**A flame shoots out when opening the door of the stove.**

- Do not open the stove door during the intense burning phase. If it is necessary for some reason, first open the door a few millimetres for 10 seconds. Then you can open the door as much as necessary.



# WARRANTY

## General provisions:

- The purchaser is obliged to review the product operation manual and follow the requirements stated in the operation manual.
- The warranty is valid if the product has a technical defect or error caused by the manufacturer.
- The warranty includes the replacement of parts with product or manufacturing defects.
- The length of the warranty period is 5 years from the date of purchase of the product for the private use and 1 year for public use..
- The warranty does not extend to failures due to non-compliance with the rules of use given in the manual.

**ATTENTION! The warranty is based on the presentation of the purchase receipt/ invoice. The right to submit a claim is valid on the condition that the product has been used only for the intended purpose and conditions.**

## Terms of warranty:

- The warranty does not cover the defects caused by normal wear and tear of the product.
- The warranty does not apply to the stove door glass.
- The warranty does not apply to sauna stones.
- Door and glass seals: 2 years for private use, 1 year for public use.

## The warranty does not cover failures caused by:

- Product transportation and other accidental damage;
- Careless or unintended storage and use of the product and from overloading.
- Non-compliance with the product installation and operation instructions and safety requirements.

## The warranty is not valid as follows:

- The manufacturer is not responsible for the consequences caused by overheating and the warranty does not extend to an improperly heated sauna stove.
- If the product has been repaired by an unauthorized person, the parts that do not belong to the product have been added or the consumables not accepted by the manufacturer have been used.
- The set of the product is not complete.

**Find the most up-to-date information on our website: [huum.eu](http://huum.eu)**


# APPENDIX 1

## TECHNICAL DATA OF THE SAUNA STOVE

	Flow	Flow LS	Flow Mini	Flow Mini LS
Size of the sauna room, ft <sup>3</sup> / m <sup>3</sup>	282-635/ 8-18	282-635/ 8-18	211-494/ 6-14	211-494/ 6-14
Height from the floor, in / mm	35 / 884	35 / 884	35 / 884	35 / 884
Width, in / mm	21 / 526	21 / 526	18 / 450	18 / 450
Depth (without handle), in / mm	23 / 586	28 / 706	19 / 493	24 / 613
Chimney leg diameter, in / mm	4.5 / 114	4.5 / 114	4.5 / 114	4.5 / 114
Chimney temperature class	T450	T450	T450	T450
Minimum cross-section of the chimney in <sup>2</sup> /mm <sup>2</sup>	16 / 10400	16 / 10400	16 / 10400	16 / 10400
Weight without stones, lb / kg	148 / 67	161 / 73	120 / 54	130 / 59
Weight of heating stones, lb / kg	330 / 150	330 / 150	231 / 105	231 / 105
Stone size, in / mm	2-6 / 50-150	2-6 / 50-150	2-6 / 50-150	2-6 / 50-150
Fuel	firewood	firewood	firewood	firewood
Maximum length of firewood, in / mm	16 / 400	16 / 400	12 / 300	12 / 300
Recommended length of firewood, in / mm	12 / 300	12 / 300	12 / 300	12 / 300
Ignition quantity maximum, lb / kg	11 / 5	11 / 5	8 / 3.8	8 / 3.8
Minimum burning time of the ignition quantity in minutes	75	75	65	65
First reheating quantity maximum, lb / kg	5 / 2.2	5 / 2.2	4 / 1.8	4 / 1.8
Minimum burning time of the first reheating quantity in minutes	35	35	35	35
Second reheating quantity maximum, lb / kg	4 / 1.8	4 / 1.8	3 / 1.4	3 / 1.4
Maximum fuel quantity per hour, lb/h / kg/h	9 / 4	9 / 4	8 / 3.5	8 / 3.5
Nominal heating capacity kW	9.8	9.8	8.5	8.5
Gross efficiency %	74.9	74.9	75.1	75.1
Average flue gas temperature at nominal heating capacity °F / °C	642 / 339	642 / 339	606 / 319	606 / 319
Maximum flue gas temperature at nominal heating capacity °F / °C	725 / 385	725 / 385	650 / 343	650 / 343
CO (13% O <sub>2</sub> ) mg/m <sup>3</sup>	346	346	686	686
PM (13% O <sub>2</sub> ) mg/m <sup>3</sup>	17	17	14	14
NO <sub>x</sub> (13% O <sub>2</sub> ) mg/m <sup>3</sup>	68	68	81	81
OGC (13% O <sub>2</sub> ) mg/m <sup>3</sup>	34	34	51	51
Flue gas mass flow g/s	8,6	8,6	7,9	7,9


## APPENDIX 2

### DECLARATION OF HIVE FLOW PERFORMANCE

<b>EN 15821:2010</b> Wood-burning sauna stoves with reheating for heating rooms in residential buildings. <ul style="list-style-type: none"> <li>• Sauna stove HIVE Flow</li> <li>• HIVE Flow LS</li> </ul> <b>BlmSchV Stufe 2 01/26/2010 DIN EN 13240</b> <b>ECODESIGN 2022 2015/1185</b>		
		<b>HUUM Sauna OÜ</b> Vahi tee 9 60534 Vahi küla Tartumaa Estonia
<b>Fire safety</b>		Compliant with requirements
<b>Safety distances</b>	Back (in/mm)	6 / 150
	Side (in/mm)	6 / 150
	Above (in/mm)	40 / 1000
<b>Emission of combustion products</b>		Compliant with requirements
<b>Surface temperature</b>		Compliant with requirements
<b>Release of hazardous substances</b>		NPD
<b>Cleanability</b>		Compliant with requirements
<b>Flue gas temperature</b>		642 °F / 339 °C
<b>Mechanical strength</b>		Compliant with requirements
<b>Heating capacity and energy efficiency</b>		
CO (13% O <sub>2</sub> )		346 mg/m <sup>3</sup>
PM (13% O <sub>2</sub> )		17 mg/m <sup>3</sup>
NO <sub>x</sub> (13% O <sub>2</sub> )		68 mg/m <sup>3</sup>
OGC (13% O <sub>2</sub> )		34 mg/m <sup>3</sup>
Overall efficiency		74.9 %
Flue draught		12 Pa
Heating capacity		9.8 kW
Additional heating quantities		<b>11lb/5 kg + 5lb/2.2 kg + 4lb/1.8 kg</b>
Duration of use		Compliant with requirements

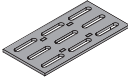
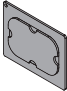
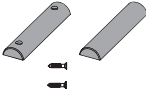
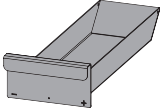

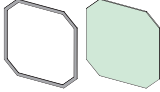
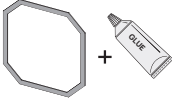


## APPENDIX 3

### DECLARATION OF HIVE FLOW MINI PERFORMANCE

<b>EN 15821:2010</b> Wood-burning sauna stoves with reheating for heating rooms in residential buildings. <ul style="list-style-type: none"> <li>• Sauna stove HIVE Flow Mini</li> <li>• HIVE Flow Mini LS</li> </ul> <b>BlmSchV Stufe 2 01/26/2010 DIN EN 13240</b> <b>ECODESIGN 2022 2015/1185</b>		
		<b>HUUMOÜ</b> Vahi tee 9 60534 Vahi küla Tartumaa Estonia
<b>Fire safety</b>		Compliant with requirements
<b>Safety distances</b>	Back (in / mm)	6 / 150
	Side (in / mm)	6 / 150
	Above (in / nmm)	40 / 1000
<b>Emission of combustion products</b>		Compliant with requirements
<b>Surface temperature</b>		Compliant with requirements
<b>Release of hazardous substances</b>		NPD
<b>Cleanability</b>		Compliant with requirements
<b>Flue gas temperature</b>		606 °F / 319 °C
<b>Mechanical strength</b>		Compliant with requirements
<b>Heating capacity and energy efficiency</b>		
CO (13% O <sub>2</sub> )		686 mg/m <sup>3</sup>
PM (13% O <sub>2</sub> )		14 mg/m <sup>3</sup>
NO <sub>x</sub> (13% O <sub>2</sub> )		81 mg/m <sup>3</sup>
OGC (13% O <sub>2</sub> )		51 mg/m <sup>3</sup>
Overall efficiency		75,1 %
Flue draught		12 Pa
Heating capacity		8.5 kW
Additional heating quantities		3.8 kg+1.8 kg+1.4 kg
Duration of use		Compliant with requirements

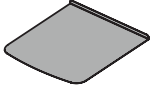
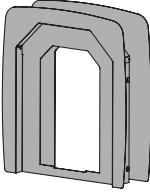
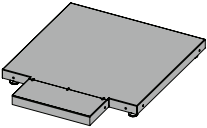
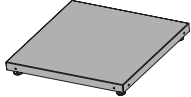


## APPENDIX 4

### SPARE PARTS

Code	Model	Name	Figure
SP0092	for All Flow models	Ashgrate	
SP0093	for All Flow models	Cleaning hatch	
SP0094	for All Flow models	Wooden parts of the door handle including screws	
SP0095	Flow	Ashdrawer	
SP0096	Flow LS		
SP0097	Flow Mini		
SP0098	Flow Mini LS		
SP0099	Flow/Flow LS	Exterior glass of the door	
SP0100	Flow Mini / Flow Mini LS		
SP0101	Flow / Flow LS	Interior glass of the door with inner glass seal	
SP0102	Flow Mini / Flow Mini LS		
SP0103	for All Flow models	Door seal with adhesive	
SP0106	for All Flow models	Adhesive for attaching the door seal	
SP0107	for All Flow models	Door fixator bushing with mounting bolt	

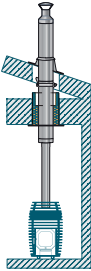
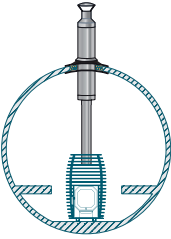
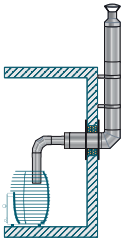
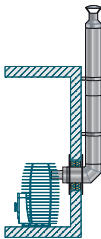
## APPENDIX 5

### ACCESSORIES

Code	Name/model	Figure
H3017011	Floor protection plate For all HIVE Flow modelst	
H3016021	Stainless steel Mounting collar for HIVE Flow LS	
H3016031	Black Mounting collar for HIVE Flow LS	
H3018021	Stainless steel Mounting collar for HIVE Flow Mini LS	
H3018031	Black Mounting collar for HIVE Flow Mini LS	
H3016011	Protective bedding for HIVE Flow LS	
H3018011	Protective bedding for HIVE Flow Mini LS	
H3009011	Protective bedding for HIVE Flow	
H3008011	Protective bedding for HIVE Flow Mini	
H3099021	Sauna stones Ø 5-10cm	
H3009041	Stone cage for all HIVE Flow models. Capacity: 35-40 kg of sauna rocks	

# APPENDIX 5

## ACCESSORIES

Code	Name/model	Figure
H3100	Chimney set, through the ceiling	
H3101	Chimney set, barrel sauna	
H3102	Chimney set, through the wall	
H310202	Rear connection chimney set	

# TABLE DE MATIÈRES

<b>GÉNÉRALITÉS</b>	<b>96</b>
<b>INSTALLATION</b>	<b>98</b>
PREMIER ALLUMAGE DU POÊLE AVANT L'INSTALLATION	98
SURFACE DE MONTAGE	100
DISTANCES DE SÉCURITÉ	100
RACCORDEMENT AU CONDUIT DE FUMÉE	103
<b>SAUNA</b>	<b>104</b>
ISOLATION THERMIQUE DU SAUNA ET MATÉRIAUX DE CONSTRUCTION DE MURS	104
COLORATION DES MURS DU SAUNA	105
SOL DU SAUNA	105
VENTILATION	105
<b>UTILISATION</b>	<b>107</b>
POSE DES PIERRES	107
CHAUFFAGE	108
ALLUMAGE	109
RECHARGEMENT DU POÊLE	110
ARROSAGE DES PIERRES	112
FIN DU CHAUFFAGE	112
<b>MAINTENANCE</b>	<b>113</b>
<b>POÊLE EN FIN DE VIE</b>	<b>114</b>
<b>MISES EN GARDE ET REMARQUES</b>	<b>114</b>
<b>PROBLÈMES ET REMÈDES</b>	<b>116</b>
<b>CONDITIONS DE GARANTIE</b>	<b>117</b>
<b>ANNEXE 1 - CARACTÉRISTIQUES TECHNIQUES DU POÊLE</b>	<b>118</b>
<b>ANNEXE 2 - DÉCLARATION DES PERFORMANCES DE HIVE FLOW</b>	<b>119</b>
<b>ANNEXE 3 - DÉCLARATION DES PERFORMANCES DE HIVE FLOW MINI</b>	<b>120</b>
<b>ANNEXE 4 - PIÈCES DÉTACHÉES</b>	<b>121</b>
<b>ANNEXE 5 - ACCESSOIRES</b>	<b>112</b>

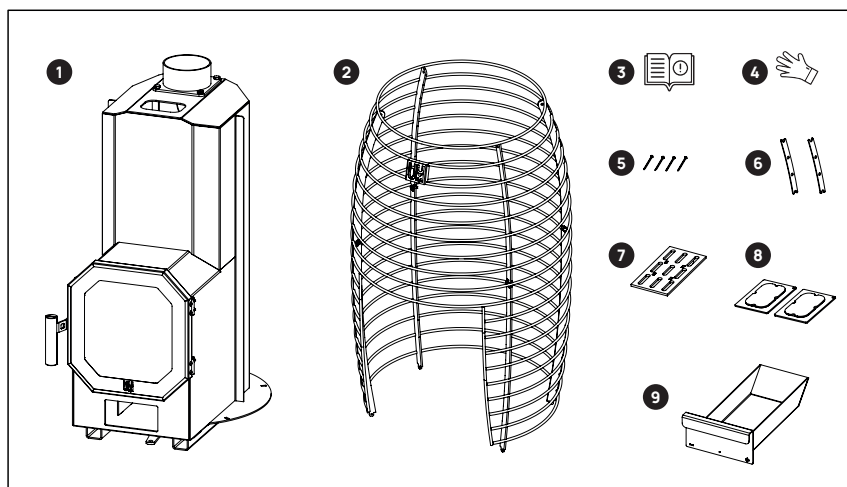




# HIVE Flow

## POÊLE POUR SAUNA

Notice d'installation et d'utilisation



Le kit de poêle HUUM HIVE Flow pour sauna comprend :

- ① poêle à bois pour sauna ;
- ② cage à pierres métallique;
- ③ notice d'installation et d'utilisation;
- ④ gant anti-chaleur;
- ⑤ broches de fixation;
- ⑥ plaques de fixation métalliques (2 pcs);
- ⑦ grille de décendrage;
- ⑧ trappe de nettoyage (2 pcs);
- ⑨ bac à cendres.

Veuillez voir les numéros des pièces de rechange dans les **Annexes 4 et 5**

**ATTENTION !** Ce poêle pour sauna a besoin de pierres. Nous recommandons d'utiliser les pierres de sauna HUUM de 5 à 10 cm (voir Annexe 5, pages 122-123).

**ATTENTION !** Seul le cheministe/fumiste est habilité à raccorder à la cheminée le poêle à bois décrit dans la présente notice.

# GÉNÉRALITÉS

Merci d'avoir choisi le poêle HUUM Flow pour votre sauna – le poêle à bois le plus écologique sur le marché, qui vous garantira une expérience inoubliable de sauna.

Pour que notre promesse se réalise, nous vous recommandons fortement de lire la notice d'utilisation et de la garder précieusement.

La dernière version de la notice est également disponible sur le site [huum.eu](http://huum.eu)

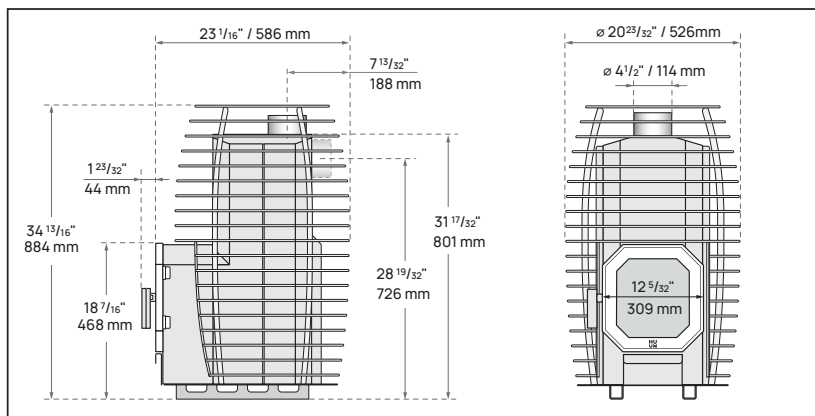


Figure 1. Dimensions du poêle HIVE Flow

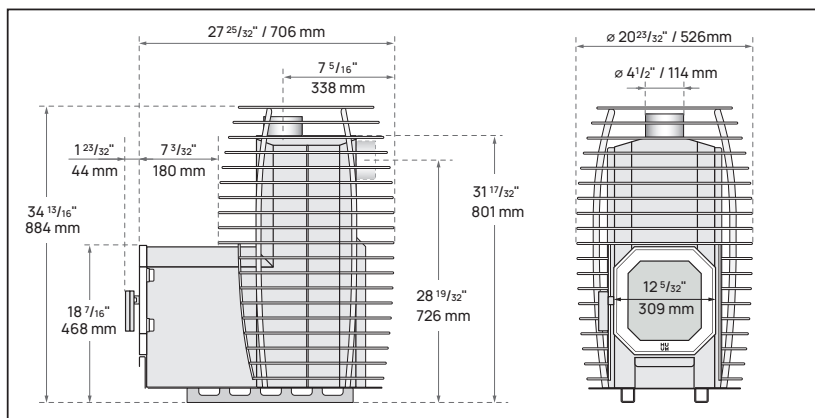


Figure 2. Dimensions du poêle HIVE Flow LS

- La notice d'utilisation contient des caractéristiques techniques du poêle, ainsi que les instructions sur son installation, utilisation et entretien.
- Ce poêle est destiné uniquement à chauffer un sauna.
- Il est strictement interdit de modifier ce poêle pour sauna. Dans le cas contraire, cela peut entraîner des dysfonctionnements graves, ainsi que l'annulation de la garantie.
- Veuillez utiliser uniquement les pièces détachées HUUM, proposées par le fabricant (voir **Annexe 4, page 121.**)
- Il est interdit d'enlever l'étiquette de données collée sur le poêle ou de modifier ces données.
- Les caractéristiques techniques du poêle pour sauna sont énoncées en **Annexe 1.**

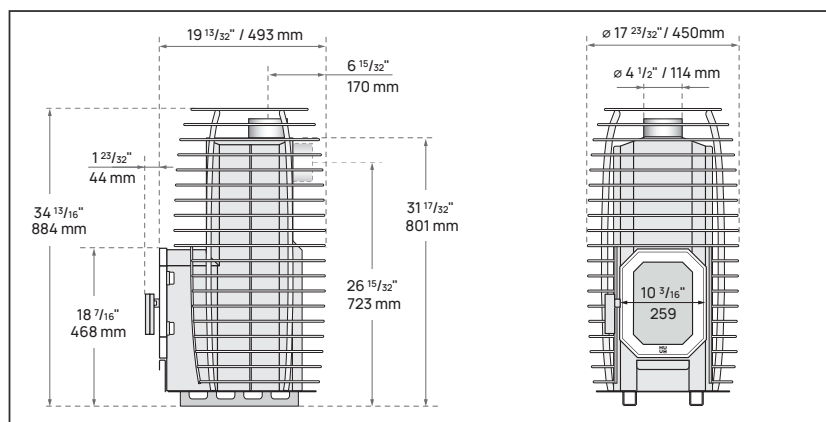


Figure 3. Dimensions du poêle HIVE Flow Mini

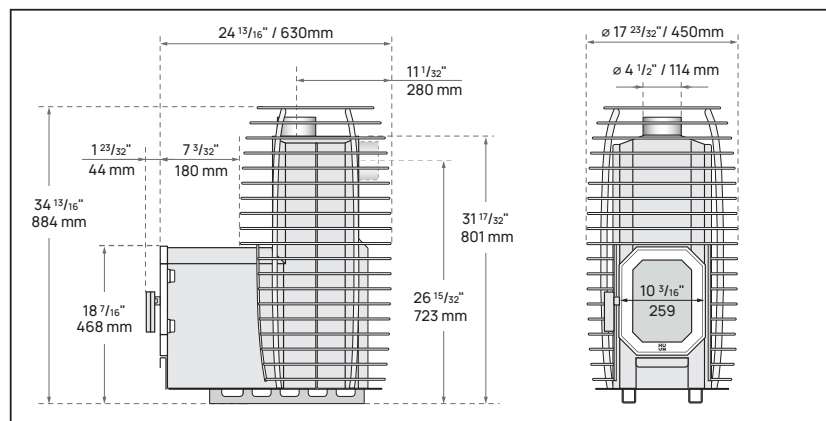


Figure 4. Dimensions du poêle HIVE Flow Mini LS

# INSTALLATION

- Veuillez respecter toutes les réglementations locales concernant l'installation du poêle pour sauna, les normes nationales et européennes y compris.
- Avant de procéder à l'installation et l'utilisation du poêle pour sauna, veuillez lire attentivement les instructions sur l'installation de ce poêle dans votre sauna. Si vous avez des questions ou vous voulez obtenir des informations supplémentaires, veuillez contacter les autorités de sécurité incendie locales ou nationales ou consulter un spécialiste agréé.
- Avant de procéder à l'installation, assurez-vous que la puissance du poêle correspond au volume de votre sauna (voir **l'Annexe 1**). Si votre sauna possède des murs sans isolation thermique, construits en briques, en verre ou revêtus de carreaux céramiques, il faudra compter 1 m<sup>3</sup> de volume supplémentaire pour chaque mètre carré d'un tel mur.
- Taille maximale du local où ce poêle est autorisé à être installé, a été calculée selon la méthode énoncée dans la norme EN15821:2010.

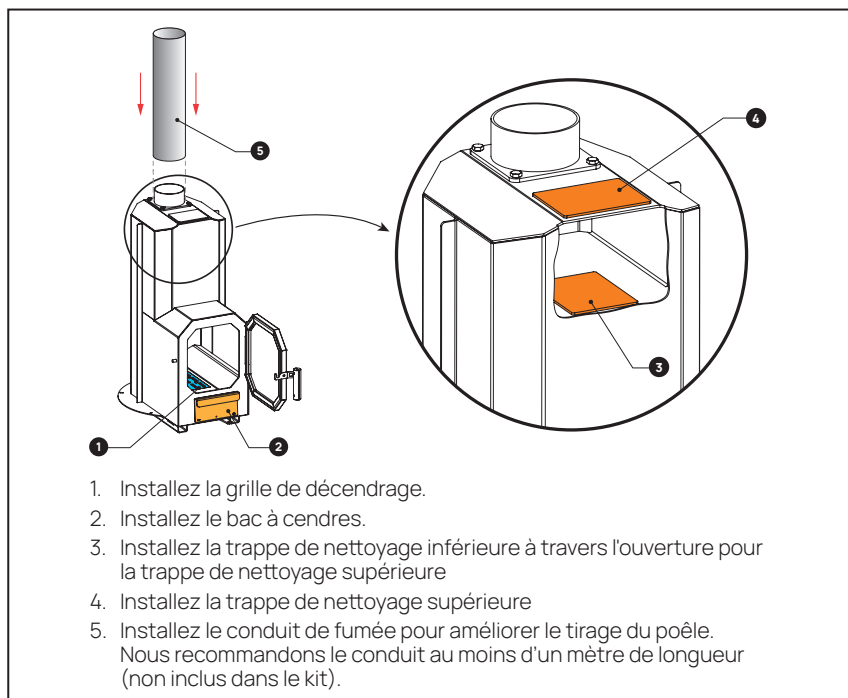
**ATTENTION !** La garantie du fabricant est nulle, si la capacité du poêle pour sauna ne correspond pas au volume du sauna, en considérant les surfaces sans isolation thermique et/ou ventilation insuffisante.

En savoir plus  
sur les poêles  
pour saunas



## PREMIER ALLUMAGE DU POÊLE AVANT L'INSTALLATION

**ATTENTION !** Il est requis d'allumer le poêle pour sauna pour la première fois à l'extérieur tout en respectant les précautions d'usage en matière de protection contre les incendies. Ceci est nécessaire, car la couche de peinture sur le corps du poêle dégagera des fumées toxiques et des odeurs désagréables. La peinture va se solidifier durablement après le premier contact avec le feu.



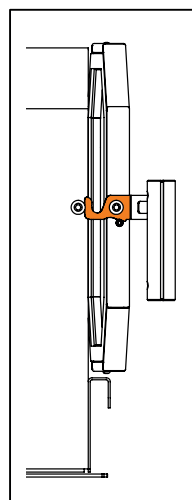
**Figure 5.** Montage du poêle pour le premier allumage du poêle avant l'installation.

Installez le poêle à l'extérieur, p.ex., dans la cour de la maison, dans un endroit bien ventilé et à l'abri du vent, ce qui assurera son chauffage uniforme.

- Veillez à ne pas égratigner la surface du poêle.
- Enlevez la cage à pierres avant l'allumage.
- Ne posez pas de pierres sur le poêle.
- Ne projetez pas de l'eau sur le poêle au cours du premier allumage.
- Pour le premier allumage 1-2 bûches suffisent.
- On peut arrêter de chauffer lorsqu'aucune fumée ou vapeur visible ne s'échappe du poêle.
- Pendant le premier allumage laissez la porte du poêle entrouverte un peu et ne la fermez pas au cours de la combustion (Voir la **figure 6.**)

**ATTENTION ! Le joint de la porte peut se coller au corps du poêle et se détacher.**

- Pour améliorer le tirage, on peut utiliser les conduits de fumée prévus pour l'installation finale.



**Figure 6.** Position de la porte

## SURFACE DE MONTAGE

Le poêle pour sauna doit être installé dans sur le sol non-combustible ayant une capacité de charge suffisante. Le sol en béton d'une épaisseur d'au moins 50 mm conviendra bien.

**Si les câbles ou les tubes pour plancher chauffant passent sous le poêle**, pour les protéger du rayonnement thermique il faudra installer le poêle sur le support calorifuge HUUM ou sur un autre matériau non-combustible, ainsi qu'utiliser une protection calorifuge supplémentaire d'une épaisseur et d'une capacité de charge suffisantes. Les informations sur le support d'isolation thermique HUUM sont présentées en **Annexe 5, page 122**.

**Pour le plancher en matériau combustible**, il est obligatoire d'installer le poêle sur le support calorifuge HUUM ou sur un autre matériau non-combustible, ainsi qu'utiliser une protection calorifuge supplémentaire d'une épaisseur et d'une capacité de charge suffisantes. Il faudra assurer un espace de 30 mm au moins entre la surface du support et le plancher pour que l'air puisse y circuler librement.

## DISTANCES DE SÉCURITÉ

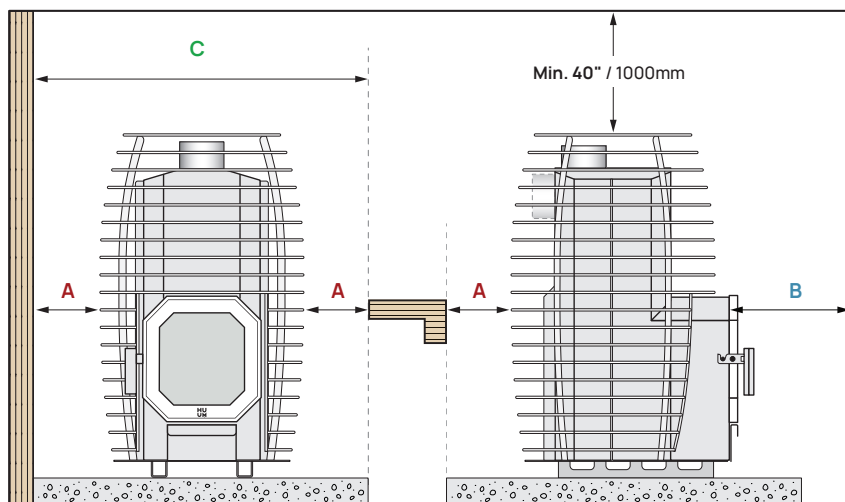


Figure 7. Distances de sécurité pour le poêle Flow par rapport aux matériaux combustibles (p. ex. murs et bancs en bois etc.).

Table 1.	Local m <sup>3</sup>	Poids kg	Quantité de pierres kg	A mm	B mm	C mm
Flow	8-18	67	150	150	500	826
Flow LS	8-18	73	150	150	500	826
Flow Mini	6-14	54	105	150	500	750
Flow Mini LS	6-14	59	105	150	500	750

Il faudra assurer un espace entre le mur en **matériau non-combustible** et le poêle de 50 mm au moins.

**On peut réduire les distances de sécurité** en utilisant. Un monocouche permet de réduire les distances de sécurité de 50 % et le double couche – jusqu'à 75 %.

Les distances de sécurité tiennent compte de la protection, ce qui signifie que la distance est mesurée jusqu'au matériau inflammable et non jusqu'au réflecteur.

L'espace entre et le poêle doit être d'au moins 50 mm.

**La distance de sécurité entre le poêle et le plafond** peut être réduite de 25 % grâce au réflecteur monocouche. Pour protéger le plafond, on ne pourra pas utiliser le réflecteur double couche.

**L'réflecteur monocouche** un panneau de ciment **non-combustible**, renforcé de fibres, de 7 mm d'épaisseur minimum (de type fermacell® ou autres), ou une plaque métallique d'1 mm d'épaisseur au moins, fixée au mur. Un espace minimum de 30 mm doit rester entre le réflecteur et la surface à protéger contre le rayonnement thermique.

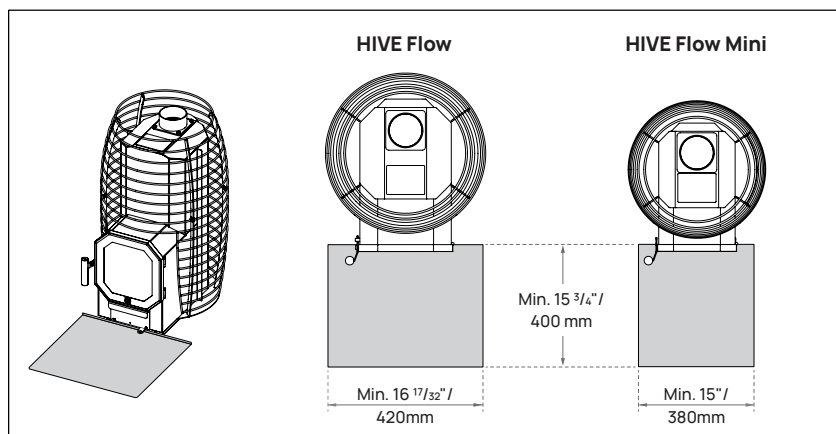
**Le réflecteur double couche** peut être fabriqué dans les mêmes matériaux que ceux mentionnés ci-dessus. Il faudra assurer un espace minimum de 30 mm entre l'écran et le mur, le sol ou le plafond pour une libre circulation de l'air.

**ATTENTION !** Avant de réduire la distance de sécurité, veuillez vous référer aux normes de sécurité locales.

**Lors de l'installation des conduits de fumée** respectez les distances de sécurité spécifiées dans la notice d'utilisation du fabricant respectif.

Pour **protéger le sol en matériau combustible** devant le poêle, il convient d'y fixer une plaque en tôle qui dépasse d'au moins 400 mm devant le poêle et 100 mm sur les côtés.

Pliez le bord de la plaque proche au poêle pour que des morceaux de charbon ardents ne tombent pas sous le poêle. Pour les informations sur la plaque HUUM de protection du sol (vendue séparément) veuillez voir **l'Annexe 5, page 122**.



**Figure 8.** Plaques en tôle de protection du plancher pour les modèles HIVE Flow et Flow Mini (vendues séparément).

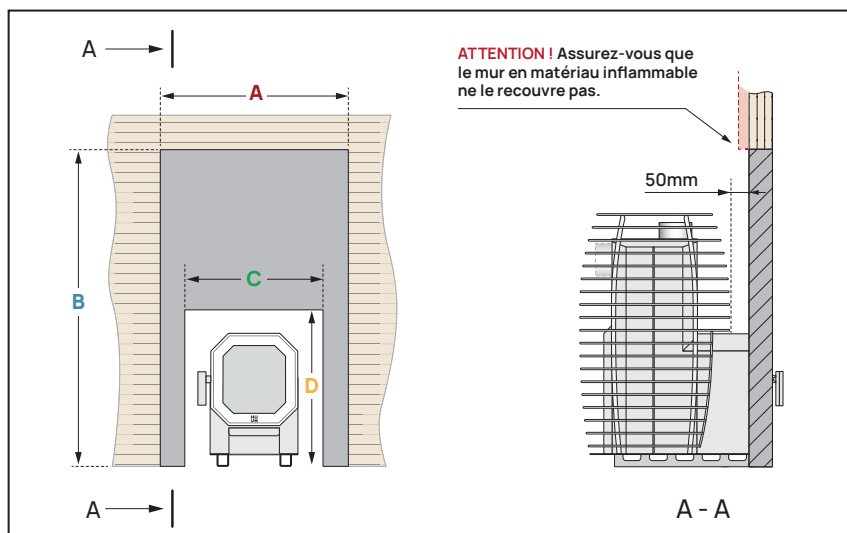


Figure 9. Installation des poêles HIVE Flow LS et Flow Mini LS à travers le mur..

Les dimensions minimales du mur non-combustible et de l'ouverture dans le mur pour HIVE Flow LS sont désignées dans le **Tableau 2**. Pour HIVE Flow Mini LS veuillez voir le **Tableau 3**.

<b>Tableau 2.</b>	<b>A</b> mm	<b>B</b> mm	<b>C</b> mm	<b>D</b> mm
Poêle installé sur le sol, sans cadre de montage.	650	1050	320	470
Poêle installé sur le sol, avec cadre de montage HUUM.	650	1050	485	560
Poêle installé sur support calorifuge, avec cadre de montage HUUM.	650	1100	485	615

<b>Tableau 3.</b>	<b>A</b> mm	<b>B</b> mm	<b>C</b> mm	<b>D</b> mm
Poêle installé sur le sol, sans cadre de montage.	650	1050	270	470
Poêle installé sur le sol, avec cadre de montage HUUM.	650	1050	435	560
Poêle installé sur support calorifuge, avec cadre de montage HUUM.	650	1100	435	615

Le support calorifuge et le cadre de montage sont des accessoires de finition conçus pour simplifier l'installation. Ils sont vendus séparément. L'épaisseur maximale du mur non-combustible en cas d'utilisation des cadres de montage HUUM est de 150 mm, sans cadre de montage - 100 mm. Veuillez vous référer à l'**Annexe 5** pour plus de détails.

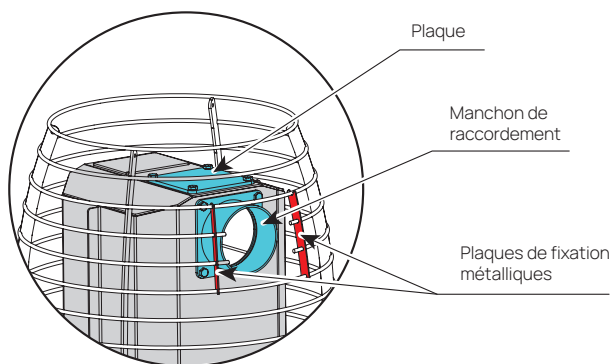


## RACCORDEMENT AU CONDUIT DE FUMÉE

**ATTENTION !** Le raccordement entre le poêle pour sauna et le conduit de fumée doit être effectué par un installateur agréé.

Le conduit de fumée (la cheminée) doit être conforme aux spécifications fournies dans l'Annexe 1.

Le poêle pour sauna HIVE Flow peut être connecté au conduit de fumée par le haut ou par l'arrière. Pour un raccordement par l'arrière, il faut changer les positions du manchon et de la plaque vissés au poêle.



**Figure 10.** Connexion de HIVE Flow au conduit de fumée par l'arrière. Coupez deux nervures en fonction du diamètre de la cheminée et fixez leurs extrémités à l'aide des plaques de fixation métalliques incluses dans le kit.

- Pour raccorder le poêle au conduit de fumée, veuillez utiliser seulement les conduits homologués, conformes aux lois locales de protection contre l'incendie et les normes de sécurité. HUUM vend des kits de conduits de fumée standards (voir l'Annexe 5.)
- Les raccords des conduits de tirage et d'évacuation des gaz doivent être scellés à l'aide d'une corde spéciale résistante à la chaleur et/ou de la laine de roche.
- Lors de l'installation des conduits de fumée, respectez les distances de sécurité spécifiées dans les notices du fabricant.

La température moyenne et maximale des fumées, à condition que le chauffage soit effectué conformément aux dispositions de la présente notice, est inférieure à 400°C. Donc, votre poêle à bois peut être raccordé à la cheminée de maçonnerie existante.

**ATTENTION !** Ce raccordement doit être préalablement approuvé par les autorités locales et les pompiers, car les normes peuvent varier selon les régions.

# SAUNA

## ISOLATION THERMIQUE DE VOTRE SAUNA ET MATÉRIAUX DE CONSTRUCTION DE MURS

Dans votre sauna, toutes les surfaces de murs accumulant de la chaleur (murs en verre, en béton, en briques, en plâtre etc.) doivent être revêtus d'isolation thermique pour que le poêle à bois fonctionne avec un rendement optimal. Cela permet d'éviter les pertes de chaleur dans le sauna et la surchauffe du poêle.

### Les recommandations suivantes aideront à assurer une bonne isolation thermique du sauna :

1. Installez un isolant de 50 à 100 mm d'épaisseur (mousse isolante en panneau laminé d'un pare-vapeur).
2. Couvrez par une feuille d'aluminium ou par un autre matériau réfléchissant le matériau isolant sans couche pare-vapeur. Scellez les joints avec un ruban d'aluminium autocollant.
3. Laissez à l'aide des entretoises un espace de ventilation de 10 mm (recommandé) entre le pare-humidité et le panneau de revêtement.
4. Les lambris en bois de 12 à 16 mm d'épaisseur conviennent bien à la finition d'un sauna. Avant de revêtir les murs, vérifiez la présence des câbles d'alimentation et de renforts dans les murs, nécessaires pour l'installation d'équipements, par ex. du banc de sauna.
5. Pour protéger les planches de l'humidité, la distance entre les planches et le sol doit être d'au moins 100 mm.
6. Laissez un espace de ventilation minimum de 5 mm entre les parois de votre espace (plafond compris) et votre sauna.
7. Enduisez de cire ou d'huile spéciale les surfaces en bois du sauna pour les préserver des salissures.

### Plafond du sauna

Pour optimiser le rendement du poêle, la hauteur recommandée de votre sauna doit être de 2000 à 2300 mm. Si le plafond est plus haut, il est conseillé de le baisser, réduisant ainsi son volume.

1. La hauteur minimale autorisée pour le poêle **HUUM Flow** est de **1900 mm**.
2. La distance entre le banc supérieur et le plafond doit être comprise entre 1100 et 1300 mm.
3. Le plafond du sauna doit être revêtu d'isolation thermique selon les mêmes spécifications que les murs.

**ATTENTION !** En revêtant les murs ou le plafond avec une isolation thermique (par exemple avec des dalles minérales), laissez un espace de ventilation suffisant. La pose des dalles directement sur la surface du mur ou du plafond peut entraîner une surchauffe dangereuse des matériaux du mur et/ou du plafond.

**ATTENTION !** Si nécessaire, demandez aux autorités locales responsables de la sécurité incendie, quelles parties du mur pare-feu peuvent être isolées. Il est interdit de revêtir les conduits de fumée utilisés par un isolant thermique.

## COLORATION DES MURS DU SAUNA

Au fil du temps, les surfaces en bois du sauna peuvent s'assombrir sous l'action des hautes températures. C'est un processus naturel qui n'affecte pas les propriétés du bois et, est peut-être aussi causé par les produits de protection du bois.

L'assombrissement peut également être causé par une fine poussière de pierre, produite par leur effritement et transportée par les courants d'air. Veuillez suivre les instructions du fabricant relatives à l'installation du poêle électrique afin de prévenir la surchauffe des matériaux inflammables du sauna !

**ATTENTION !** La température maximale autorisée est de 140°C, mesurée sur la surface des murs et du plafond du sauna.

## LE SOL DU SAUNA

En raison des fortes variations de température, les pierres de sauna vont s'effriter avec le temps. L'eau va emporter des éclats et de la poussière de pierre, qui se déposeront sur le sol du sauna. Les éclats chauds peuvent endommager un revêtement en plastique sous et autour du poêle. De petits éclats de pierre humides (surtout si l'eau est riche en fer) vont pénétrer dans les joints de carrelage et les assombrir.

Pour préserver l'apparence originale des matériaux de finition, il est conseillé d'utiliser sous et autour du poêle des carreaux céramiques et un scellant à joints de couleur foncée.

## VENTILATION

La ventilation du sauna doit être suffisamment efficace pour assurer la combustion (la combustion de chaque kilogramme de bois consomme de 6 à 10 m<sup>3</sup> d'air, riche en oxygène).

L'apport d'air frais doit être assuré le plus près possible du poêle et être orienté vers le poêle.

Pour que vos séances de sauna soient saines et agréables, il est important d'assurer une bonne circulation de l'air dans votre sauna. Les instructions concernant une ventilation appropriée sont publiées sur le site [huum.eu](http://huum.eu) "HUUM Blog - Sauna ventilation"

Après la séance de sauna, pensez à toujours bien aérer la pièce pour éliminer l'excès d'humidité.

**ATTENTION ! Une ventilation mécanique peut entraîner des problèmes de flux d'air dans la pièce et un manque d'oxygène pour une bonne combustion dans le foyer.** Avant d'installer et d'utiliser le poêle pour sauna, assurez-vous que le système de ventilation existant alimente bien le foyer en air frais. Si nécessaire, contactez un spécialiste en chauffage, ventilation et climatisation (CVC) pour plus d'informations.

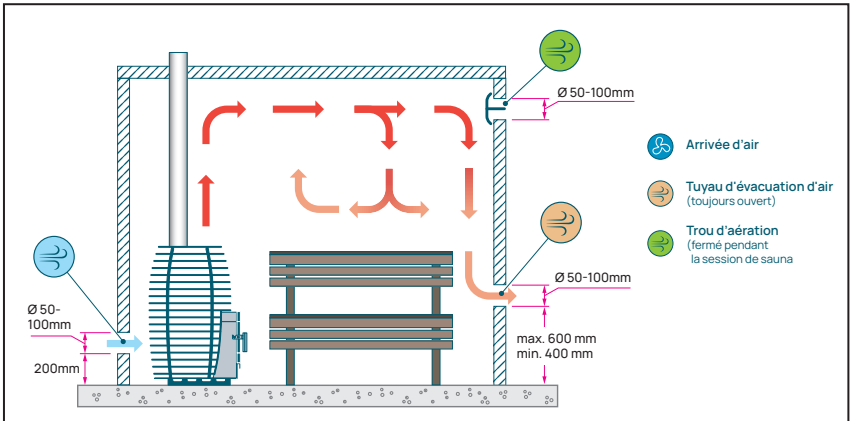


Figure 11. Ventilation par gravité dans le sauna avec un poêle à bois

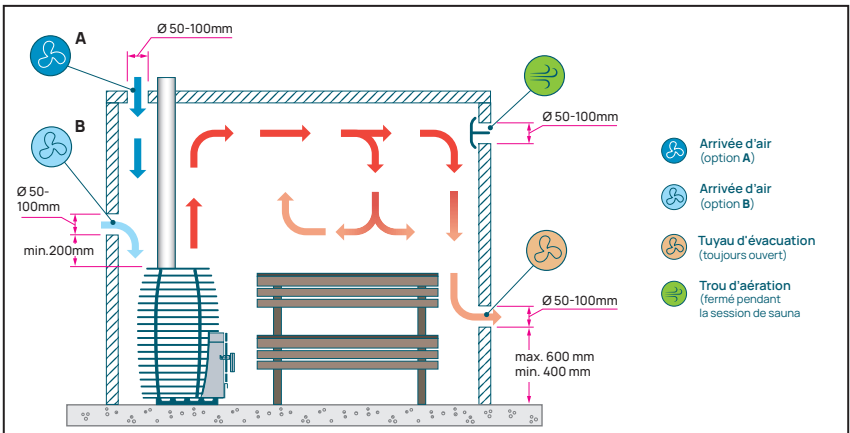


Figure 12. Ventilation mécanique dans le sauna avec un poêle à bois.

# UTILISATION

## POSE DE PIERRES

Nous recommandons d'utiliser les pierres de sauna HUUM (voir l'**Annexe 5**, page 122). Les pierres naturelles peuvent ne pas convenir au sauna, car elles peuvent se fissurer, s'éffriter et/ou dégager des substances toxiques.

- Il est recommandé de laver les pierres sous l'eau courante avant la pose.
- Avant de poser les pierres, assurez-vous que les trappes de nettoyage soient bien en place.
- La taille et la quantité de pierres sont indiquées en **Annexe 1**.
- La cage à pierres HIVE Flow se compose de deux parties démontables. Pour poser les pierres dans la partie inférieure de la cage, démontez sa partie supérieure et relevez-la autant que le permet le raccordement à la cheminée (**Figure 13**).
- Posez les pierres uniformément, couche par couche. Ne poussez pas les pierres avec force entre la cage et le corps du foyer.
- Ne mettez dans la cage ni trop ni moins de pierres qu'il n'en faut (**Figure 14**).

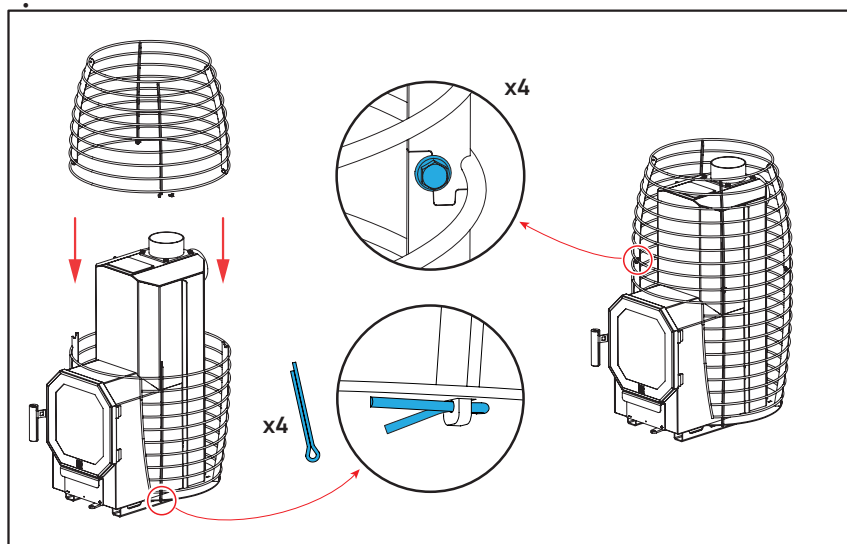


Figure 13. Démontage de la partie supérieure de la cage à pierres HIVE Flow.

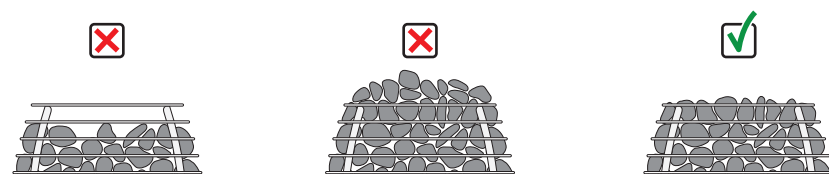


Figure 14. Pose de pierres dans la cage HIVE Flow.

## CHAUFFAGE

**ATTENTION !** Avant l'installation dans le sauna, il faut allumer le poêle pour la première fois à l'extérieur, tout en respectant les précautions générales de sécurité incendie.

- Avant d'allumer, assurez-vous que les distances de sécurité sont respectées et qu'il n'y a pas d'objets ou de matériaux inflammables sur le poêle.
- Ce poêle brûle aussi bien le bois dur, que le bois mou.
- Ne mettez pas trop de bois dans le foyer, veuillez respecter les quantités désignées sur la Figure 16 et la Figure 17.
- L'humidité optimale du bois de chauffage est de 10 à 15 %. Les bûches très sèches et minces brûlent trop vite, augmentant ainsi le risque de surchauffe du poêle et des conduits de fumée. Le bois trop humide brûle mal et favorise la formation du goudron qui se dépose sur la porte et dans les conduits.

**ATTENTION !** Il est interdit d'utiliser d'autres types de combustibles, les carburants liquides y compris, à part le bois de chauffage !

- La longueur la plus appropriée de bûches est de 30 cm, la longueur maximale est de 40 cm.
- Il vaut mieux d'utiliser les bûches de la même taille et de la même épaisseur. De cette façon, elles brûleront uniformément.
- Les bûches de 0,4 à 0,7 kg conviennent le mieux. Les bûches épaisses brûlent longtemps et ainsi chauffent longtemps le sauna. Les bûches minces brûlent vite, et le poêle et les pierres n'ont pas assez de temps pour accumuler la chaleur.

**ATTENTION !** Il est interdit de couvrir le poêle pour sauna !

- Si un bac d'eau est installé sur le conduit de fumée du poêle, remplissez-le d'eau propre avant d'allumer le feu.
- Assurez-vous que la grille de décendrage n'est pas bouchée et, si nécessaire, nettoyez-la avec le tisonnier. Laissez sur la grille les charbons non brûlés. Videz le bac à cendres lorsqu'il est à moitié plein.
- Veillez à ce que les cendres et les résidus de combustion ne tombent sous le bac à cendres. Si nécessaire, retirez le bac à cendres et nettoyez le.
- Pour retirer le bac à cendres et le vider, ouvrez la porte du foyer, soulevez un peu le bac à cendres et retirez-le (le bac est doté d'une sécurité qui empêche de le retirer pendant le chauffage). Voir la figure 15.

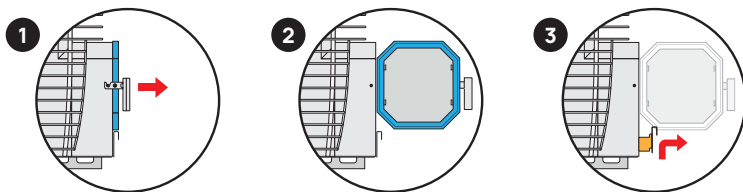


Figure 15. Dépose du bac à cendres HIVE Flow

**ATTENTION ! Les cendres et les charbons doivent être complètement éteints et refroidis avant de vider le bac à cendres dans un seau ou une poubelle ignifuge.**

- Assurez-vous que le tirage est bon. Pour se faire, brûlez du papier dans le foyer.
- Ne dépassez pas les quantités maximales de bois de chauffage, indiquées à **l'Annexe 1**. Ne rechargez pas le foyer plus souvent que recommandé à **l'Annexe 1**. Si les bûches sont très sèches et minces, réduisez les quantités de bois à brûler.

**ATTENTION ! Ne surchauffez pas le poêle !**

Si le poêle devient rouge, cela signifie qu'il est surchauffé. Dans ce cas, fermez immédiatement le clapet d'air en bas du poêle pour réduire l'intensité de la combustion. Le fabricant n'est pas responsable des déformations et des dommages subis par le poêle, résultant de sa surchauffe.

Nous recommandons de peser le bois de chauffage que vous allez brûler, au moins, les premières fois. Plus tard, il sera utile de le faire de temps en temps, surtout si vous changez la longueur ou l'espèce de bois de chauffage. Un pèse-personne ordinaire conviendra bien pour cela.

## ALLUMAGE

Pour chauffer le sauna la première fois, prenez les bûches de taille moyenne et un peu de copeaux. La quantité maximale de bois en kilogrammes est indiquée dans **l'Annexe 1**.

- Mettez dans le foyer tout d'abord des bûches minces.
- Mettez des bûches grosses en couche intermédiaire.
- Mettez dessus des bûches minces et des copeaux pour allumer le feu.
- Poussez les bûches vers le fond du foyer en laissant environ 10 mm d'espace libre entre le bois et le fond.
- Posez les bûches de façon serrée ; il n'est pas nécessaire de laisser des espaces entre elles pour le passage d'air.

**Allumez le feu par le haut.** Il est pratique d'allumer le feu avec un allume-feu (non liquide) ou de l'écorce de bouleau.

**ATTENTION ! N'allumez jamais le feu par le bas !** Cela provoque une combustion qui gaspille le combustible et pollue l'environnement. De plus, le poêle et la cheminée chauffent plus lentement et le chauffage prend plus de temps



- **Le clapet d'air située en bas de la partie avant du poêle** doit être complètement ouvert. Si le tirage dans la cheminée est trop important et la combustion est très intense, on peut réduire la vitesse de combustion en ajustant la position du clapet d'air.

- **Entrouvrez le bac à cendres pour environ 15 minutes** après l'allumage. Le bac à cendres est doté d'un limiteur qui permet de l'entrouvrir à 3 mm au maximum pendant la combustion.
- On peut entrouvrir **la porte du foyer à quelques millimètres pendant environ 2 minutes**. Cela réduit la condensation d'humidité et la déposition de la suie sur a vitre de porte.
- **Au plus tard 15 min après l'allumage** (ou plus tôt, lorsque la combustion devient assez intense), **fermez complètement le bac à cendres** (poussez-le jusqu'au bout). Gardez-le fermé pendant toute la période de combustion, même pendant que vous ajoutez des nouvelles bûches dans le foyer.

Il est interdit de retirer le bac à cendres pendant la combustion. Le bac à cendres, entrouvert ou complètement retiré, crée un risque de surchauffe et de combustion inefficace.

**ATTENTION !** Le fabricant ne peut être tenu responsable des conséquences causées par la surchauffe. Le poêle pour sauna mal employé n'est pas couvert par la garantie.

**MISE EN GARDE !** Le poêle et les pierres sont très chauds pendant la montée en chauffe et les séances de sauna ! Ne les touchez pas !

**ATTENTION !** N'ouvrez pas la porte du poêle pendant une combustion intense. Si cela s'avère nécessaire pour une raison quelconque, entrouvrez la porte de quelques millimètres pendant 10 secondes. Ensuite vous pourrez ouvrir la porte autant que nécessaire. Sinon, des flammes pourraient sortir du foyer.

## RECHARGEMENT DU POÊLE

N'ajoutez des nouvelles bûches que lorsque les flammes commencent à être de plus petite taille et que seules les braises subsistent. Si vous les ajoutez trop tôt, cela revient à gaspiller du bois de chauffage et à réduire le rendement du poêle.

- Choisissez des bûches de la même taille pour recharger le poêle.
- Remplissez le foyer pas plus qu'à 2/3 de sa hauteur.
- Les quantités maximales de bois pour chaque rechargement sont indiquées sur les **figures 16 et 17**.
- Remuez les braises avec le tisonnier avant de recharger.
- Ajoutez les nouvelles bûches et poussez-les vers le fond du foyer.
- **Assurez-vous que le bac à cendres est complètement fermé.**
- Fermez la porte du poêle.

Si, pour atteindre la température souhaitée dans le sauna, il faut recharger le poêle encore une fois, répétez le procédé.

**ATTENTION !** Le bac à cendres doit être toujours fermé (sauf pendant l'allumage).



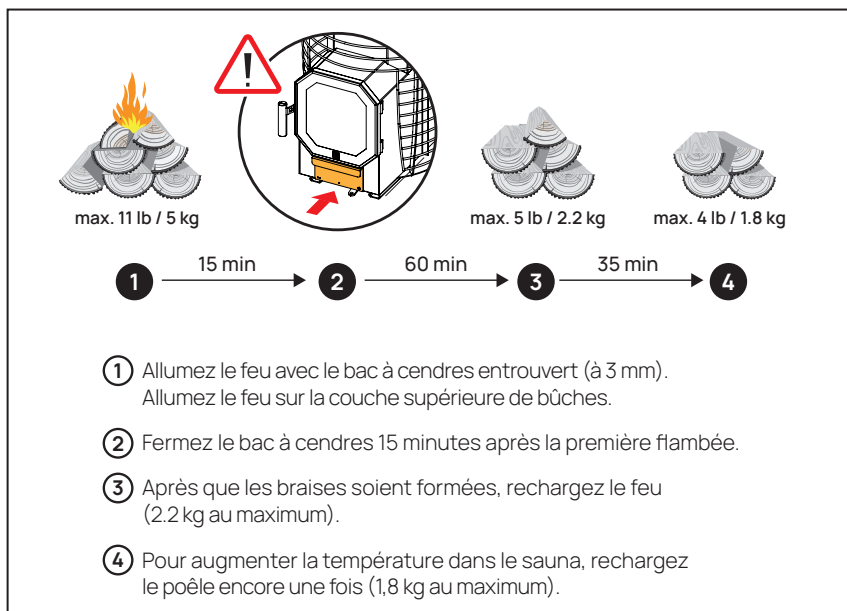


Figure 16. Comment allumer et recharger le poêle HIVE Flow.

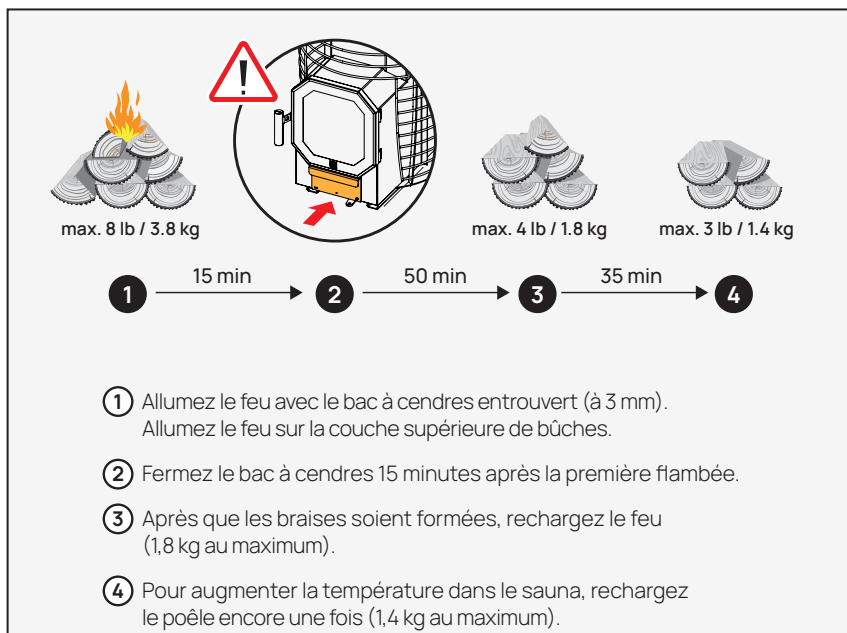


Figure 17. Comment allumer et recharger le poêle HIVE Flow Mini.

## ARROSAGE DES PIERRES

Au fur et à mesure que la température dans le sauna monte, l'air dans le sauna devient de plus en plus sec. Pour l'humidifier, on peut verser un peu d'eau sur les pierres chaudes.

- Arrosez les pierres après qu'elles sont devenues suffisamment chaudes pour évaporer l'eau complètement.
- L'eau trop dure et riche en fer modifie l'apparence des pierres de sauna.
- N'utilisez pas l'eau contenant du sel ou du chlore, car cela peut provoquer une corrosion du corps du poêle.
- Nous recommandons de verser environ 80 ml d'eau à la fois. Pour plus de vapeur, attendez quelques minutes, puis versez à nouveau la même quantité d'eau. Cela permet aux pierres de sécher et de se réchauffer.
- Diluez les huiles essentielles aromatiques dans l'eau prévue pour être jetée sur les pierres, sinon l'huile peut prendre feu sur la surface du poêle ou sur les pierres.
- Versez de l'eau au-dessus des pierres chaudes d'une façon uniforme.

**ATTENTION ! N'arrosez jamais les pierres, si quelqu'un se trouve à proximité, sinon la vapeur peut provoquer de graves brûlures.**

## FIN DU CHAUFFAGE

En raison d'une combustion particulière, une couche épaisse de braises ardentes se forme dans le foyer. Les braises peuvent brûler assez longtemps.

**Pour réduire le temps de combustion de braises à la fin de chauffage :**

- Remuez les braises avec un tisonnier et entassez-les au milieu du foyer.
- Ouvrez le bac à cendres au maximum. Son limiteur de sécurité permet de l'ouvrir à 3 mm au plus. Le flux d'air passera à travers la grille de décendrage et fera brûler les braises assez vite.

Nous recommandons de programmer votre séance de sauna pour la période, quand il y a des braises ardentes dans le foyer. De cette façon, vous réduirez la consommation du bois de chauffage et passerez un bon moment au sauna. Lorsque les braises ont fini de brûler, fermez le bac à cendres et le clapet d'air située sous la porte du poêle, pour que le poêle puisse garder la chaleur plus longtemps.

# MAINTENANCE

L'utilisation du bois de chauffage de qualité permettra d'éviter la formation du dépôt de suie sur les parois des conduits de fumée et, en plus, un entretien particulier ne sera pas nécessaire. Pourtant le conduit de fumée, les raccordements avec la cheminée et la cheminée doivent être nettoyés au moins une fois par an. Ces travaux doivent être confiés à un ramoneur qualifié.

Le ramonage doit être fait dans le respect de toutes les réglementations locales en matière d'incendie et de sécurité, où les exigences de sécurité incendie pour le nettoyage des foyers sont stipulées (RTL 1998,195/196, 771 et RTL2000,99,1555).

## Les conduits du poêle pour sauna doivent être nettoyés au moins une fois par an.

Pour le faire, il faudra enlever du poêle la couche supérieure de pierres pour assurer l'accès aux trappes de nettoyage. Si à l'intérieur du poêle il y a de la suie, il faut ramoner les conduits de fumée.

Pour le faire, tout ramoneur qualifié dispose d'outils appropriés.

## Vérifiez l'état des pierres de sauna au moins une fois par an.

Remplacez toutes les pierres fissurées ou endommagées. En fonction de l'intensité de fréquentation du sauna, il est nécessaire de remplacer partiellement ou totalement les pierres en moyenne tous les deux ans. Le chauffage du sauna avec le poêle remplis de vieilles pierres fissurées et effritées prendra plus de temps, augmentera la charge sur le poêle, gaspillera du bois de chauffage et réduira la qualité de la vapeur

### Guide video



**Nettoyez régulièrement la vitre de la porte**, de préférence avant chaque allumage. Les nettoyeurs pour vitres de cheminée conviendront bien. D'autre part, on peut le faire avec des serviettes en papier préalablement humidifiées : plongez une serviette humidifiée dans la cendre froide et essuyez la suie déposée sur la vitre. Ensuite nettoyez et séchez la vitre avec une serviette propre.

**Vérifiez l'état du joint de la porte** à chaque fois que vous nettoyez la vitre. N'allumez pas le poêle, si le joint de sa porte est endommagé ou se détache, car l'air supplémentaire qui pénétrera dans le foyer par la fente, peut provoquer la surchauffe. Vous pouvez commander le joint approprié et l'adhésif en tant que pièces détachées HUUM. Veuillez voir l'Annexe 4, page 121.

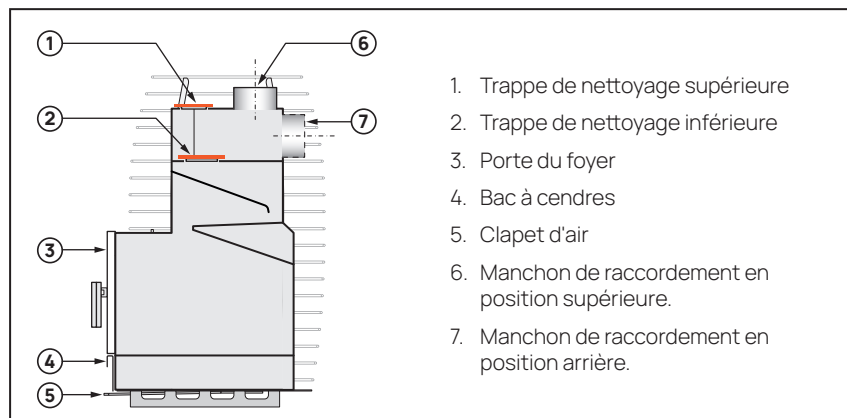


Figure 18. Éléments du poêle pour sauna HIVE Flow

# POÊLE EN FIN DE VIE

**Les poêles de sauna HUUM sont conçus pour durer en laissant la plus petite empreinte écologique possible.**

Lorsque vient le temps de remplacer le poêle, veuillez le ramener au centre de recyclage conformément aux réglementations locales.

**Instructions générales pour vous débarrasser de votre vieux poêle à bois :**

1. Nettoyez le foyer et les conduits du poêle.
2. Déconnectez le poêle des conduits de fumée et fermez-les.
3. Déposez les éléments métalliques du poêle, par exemple, au centre de recyclage fer et métaux.
4. Déposez les éléments en verre du poêle à la déchetterie.

## MISES EN GARDE ET REMARQUES

**Ce poêle est conçu pour chauffer un sauna à la température souhaitée. Il est interdit d'utiliser le poêle à d'autres fins.**

**N'allumez pas le poêle, si vous n'avez pas les connaissances requises ou votre état de santé ne permet pas de le faire correctement.**

En raison d'une grande quantité de pierres à chauffer, il faut un certain temps pour atteindre la température souhaitée. Attendez que le poêle atteigne la température optimale conformément à la notice d'utilisation. Si vous essayez d'accélérer le chauffage en négligeant l'application des règles de sécurité, cela entraînera une surchauffe, des dommages au poêle et aux conduits de fumée, ainsi qu'un risque d'incendie.

La combustion correcte permettra au poêle d'accumuler la chaleur et de la restituer longtemps en produisant une vapeur douce.

La meilleure température dans un sauna pour profiter de la vapeur est de **60 à 80°C**.

- Les mineurs ne sont pas autorisés à allumer et utiliser le poêle pour sauna sans surveillance d'un adulte.
- Ne laissez pas le poêle pour sauna sans surveillance pendant que le bois brûle.
- Le poêle de sauna ne peut être utilisé que s'il est correctement rempli de pierres.
- Il est interdit de couvrir le poêle, car cela entraîne un risque d'incendie.
- Ne touchez pas le poêle chaud, sinon vous risquez de vous brûler.
- Le clapet d'air et le bac à cendres deviennent très chauds pendant le chauffage. Mettez les gants ou utilisez le tisonnier pour les manipuler.

- Si le poêle surchauffe ou d'autres problèmes surviennent (p. ex. feu de conduit), arrêtez immédiatement le processus de combustion. Pour le faire, assurez-vous que le bac à cendres est fermé, fermez ensuite le clapet d'air en bas du poêle et, si possible, limitez l'apport d'air frais dans le sauna. S'il s'agit du feu de conduit, demandez au ramoneur de nettoyer les conduits et le poêle avant la prochaine utilisation.
- Évitez de projeter de l'eau sur la vitre chaude de la porte du poêle ! Des tests ont démontré que la vitre est assez solide, mais la garantie du fabricant ne s'applique pas à la vitre. Si la vitre de la porte se casse, vous pourrez la commander comme pièce détachée HUUM. Pour la liste des pièces détachées veuillez voir **l'Annexe 4, page 121**.

**ATTENTION ! Il est interdit d'utiliser le poêle avec la vitre fissurée !**

- Si le poêle pour sauna n'a pas été utilisé depuis longtemps, assurez-vous, avant de l'allumer, que le poêle et son conduit de fumée sont en bon état.
- **Pour nettoyer le foyer et l'utiliser en toute sécurité, équipez-vous de bons outils (pelle à cendres, brosse, tisonnier). On peut les garder dans le sauna, au niveau où les températures sont plus basses (jusqu'à 40 °C) (p.ex., sous le banc de sauna).**
- **Il est** interdit d'effectuer des modifications sur **le poêle**.

# PROBLÈMES ET REMÈDES

## Le tirage du poêle est faible

- Le poêle n'a pas été utilisé depuis longtemps et le conduit de fumée et les pierres sont humides.
- L'apport d'air n'est pas suffisant pour le poêle ou la ventilation a créé une dépression dans le sauna.
- Le poêle et les conduits n'ont pas été nettoyés depuis longtemps.
- Il y a une fuite dans le manchon de raccordement.

## La température dans le sauna ne monte pas assez vite.

- Les bûches sont humides ou trop grosses.
- La puissance du poêle sauna ne correspond pas au volume du sauna.
- Le tirage du poêle ou du conduit de cheminée est faible.
- Les pierres sont sales, fissurées/effritées ou inappropriées.
- Défauts de structure et de ventilation du sauna.

## Le poêle dégage une odeur désagréable.

- Le premier allumage du poêle neuf à l'extérieur n'a pas été effectué (voir le chapitre «**Premier allumage du poêle avant l'installation**», page 98)
- Les pierres n'ont pas été lavées avant d'être posées dans la cage.
- De la graisse ou des saletés se sont accumulées sur les pierres.
- L'eau projetée sur les pierres n'est pas propre.

## Surchauffe du poêle.

- Le bac à cendres est resté ouvert pendant la combustion.
- Le tirage de la cheminée est trop grand.
- Les bûches sont trop minces et/ou trop sèches.
- En rechargeant le foyer en bûches, vous en mettez trop et/ou trop souvent qu'il n'en faut (voir l'**Annexe 1, page 118**)

## La vitre du foyer noircit.

- Le noircissement de la vitre par la suie lors de l'allumage du poêle est un phénomène normal et causé par l'humidité de l'air et les surfaces froides, sur lesquelles l'eau se condense. Gardez la porte entrouverte de quelques millimètres pendant les premières minutes de l'allumage pour permettre aux surfaces de sécher, puis fermez complètement la porte.
- Le bois de chauffage est trop humide. Si possible, stockez/séchez le bois dans un local.

## À l'ouverture de la porte du poêle des flammes sortent du foyer

- N'ouvrez pas la porte du poêle pendant la phase de combustion intense. Si cela s'avère nécessaire pour une raison quelconque, entrouvrez d'abord la porte de quelques millimètres pour 10 secondes. Ensuite vous pourrez ouvrir la porte autant que nécessaire.

# CONDITIONS DE GARANTIE

## Dispositions générales :

- L'acheteur est tenu de lire le présent manuel d'installation et d'utilisation et de se conformer aux exigences qui y sont énoncées.
- La garantie est valable, si le produit présente un défaut de matière ou de fabrication.
- La garantie couvre le remplacement d'un produit défectueux ou de pièces défectueuses.
- La durée de garantie est de 5 ans à compter de la date d'achat du produit acquis pour un usage privé et de 1 an pour un usage public.
- La garantie ne couvre pas les défauts causés par le non-respect des préconisations énoncées dans la présente notice.

**ATTENTION ! Le recours à la garantie n'est possible que sur présentation du ticket de caisse/de la facture. Le droit d'introduire une réclamation n'est valable qu'à condition que le produit ait été utilisé conformément à sa destination et selon les conditions du fabricant.**

## Conditions de garantie :

- La garantie ne couvre pas les défauts causés par l'usure normale du produit.
- La garantie ne s'applique pas à la vitre du poêle.
- La garantie ne s'applique pas aux pierres de poêle.
- Joints de portes et vitres : 2 ans pour un usage privé, 1 an pour un usage public.

## La garantie ne couvre pas les dommages causés par :

- le transport du produit et d'autres dommages accidentels ;
- un stockage non conforme, une utilisation mauvaise ou négligente du produit, son utilisation non prévue ou sa surcharge.
- le non-respect des instructions d'installation et d'utilisation du produit, ainsi que des préconisations de sécurité.

## La garantie est nulle dans les cas suivants :

- Le fabricant n'est pas responsable des dommages causés par la surchauffe du poêle ou le chauffage inapproprié.
- Le produit a été réparé par une personne non autorisée ; des pièces non conformes ont été montées sur le produit ; des consommables non approuvés par le fabricant ont été utilisés.
- Le produit n'est pas complet.

**Pour consulter les informations les plus récentes, veuillez visiter notre site [hum.eu](http://hum.eu)**

# ANNEXE 1


## CARACTÉRISTIQUES TECHNIQUES DU POÊLE POUR SAUNA

	Flow	Flow LS	Flow Mini	Flow Mini LS
Volume du sauna, m <sup>3</sup>	8.18	8.18	6.14	6.14
Hauteur à compter du sol, mm	884	884	884	884
Largeur, mm	526	526	450	450
Profondeur (sans poignée), mm	586	706	493	613
Diamètre du manchon de raccord, mm	114	114	114	114
Classe de température de cheminée	T450	T450	T450	T450
Section minimale de la cheminée, mm <sup>2</sup>	10 400	10 400	10 400	10 400
Poids sans pierres, kg	67	73	54	59
Poids des pierres, kg	150	150	105	105
Taille de pierres, mm	50..150	50..150	50..150	50..150
Combustible	bois de chauffage	bois de chauffage	bois de chauffage	bois de chauffage
Longueur maximale de bûches mm	400	400	300	300
Longueur recommandée de bûches mm	300	300	300	300
Quantité maximale de bûches pour l'allumage du poêle, kg	5	5	3,8	3,8
Temps de leur combustion minimum, minutes	75	75	65	65
Quantité maximale de bûches pour le premier rechargement, kg	2,2	2,2	1,8	1,8
Temps de leur combustion minimum, minutes	35	35	35	35
Quantité maximale de bûches pour le second rechargement, kg	1,8	1,8	1,4	1,4
Quantité maximale de combustible par heure kg/h	4	4	3,5	3,5
Puissance nominale, kW	9,8	9,8	8,5	8,5
Ratio d'efficacité brut, %	74,9	74,9	75,1	75,1
Température moyenne des fumées lors du fonctionnement à la puissance nominale, °C	339	339	319	319
Température maximale des fumées lors du fonctionnement à la puissance nominale, °C	385	385	343	343
CO (13% O <sub>2</sub> ), mg/m <sup>3</sup>	346	346	686	686
PM (13% O <sub>2</sub> ), mg/m <sup>3</sup>	17	17	14	14
NO <sub>x</sub> (13% O <sub>2</sub> ), mg/m <sup>3</sup>	68	68	81	81
OGC (13% O <sub>2</sub> ), mg/m <sup>3</sup>	34	34	51	51
Débit massique des fumées, g/sec	8,6	8,6	7,9	7,9




## ANNEXE 2

## DÉCLARATION DES PERFORMANCES DE HIVE FLOW

<b>EN 15821:2010</b> Poêles à bois pour sauna, destinés à chauffer des locaux dans les immeubles d'habitation. <ul style="list-style-type: none"> <li>• Sauna stove HIVE Flow</li> <li>• HIVE Flow LS</li> </ul> <b>BlmSchV Stufe 2 01/26/2010 DIN EN 13240</b> <b>ECODESIGN 2022 2015/1185</b>		
		<b>HUUMÕÜ</b> Vahi tee 9 60534 Vahi küla Tartumaa Estonia
<b>Sécurité incendie</b>		Conforme à la norme
<b>Distances de sécurité</b>	Derrière le poêle (mm)	150
	Sur les côtés (mm)	150
	Au-dessus (mm)	1000
<b>Produits de combustion</b>		Conforme à la norme
<b>Température des surfaces</b>		Conforme à la norme
<b>Émission de substances dangereuses</b>		NPD
<b>Nettoyabilité</b>		Conforme à la norme
<b>Température des fumées</b>		339 °C
<b>Résistance mécanique</b>		Conforme à la norme
<b>Puissance de chauffage et efficacité énergétique</b>		
CO (13% O <sub>2</sub> )		346 mg/m <sup>3</sup>
PM (13% O <sub>2</sub> )		17 mg/m <sup>3</sup>
NO <sub>x</sub> (13% O <sub>2</sub> )		68 mg/m <sup>3</sup>
OGC (13% O <sub>2</sub> )		34 mg/m <sup>3</sup>
Efficacité globale		74,9 %
Tirage du conduit de fumée		12 Pa
Puissance de chauffage		9,8 kW
Quantités de bûches à recharger		5 kg+2.2 kg+1.8 kg
Durée de vie		Conforme à la norme

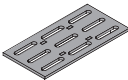
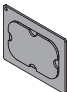
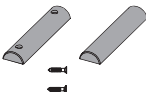
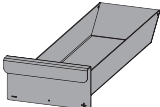

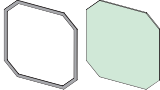
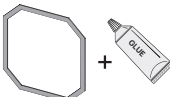


## ANNEXE 3

### DÉCLARATION DES PERFORMANCES DE HIVE FLOW MINI

<b>EN 15821:2010</b> Poêles à bois pour sauna, destinés à chauffer des locaux dans les immeubles d'habitation. <ul style="list-style-type: none"> <li>• Sauna stove HIVE Flow Mini</li> <li>• HIVE Flow Mini LS</li> </ul> <b>BlmSchV Stufe 2 01/26/2010 DIN EN 13240</b> <b>ECODESIGN 2022 2015/1185</b>		
		<b>HUUM OÜ</b> Vahi tee 9 60534 Vahi küla Tartumaa Estonia
<b>Sécurité incendie</b>		Conforme à la norme
<b>Distances de sécurité</b>	Derrière le poêle (mm)	150
	Sur les côtés (mm)	150
	Au-dessus (mm)	1000
<b>Produits de combustion</b>		Conforme à la norme
<b>Température des surfaces</b>		Conforme à la norme
<b>Émission de substances dangereuses</b>		NPD
<b>Nettoyabilité</b>		Conforme à la norme
<b>Température des fumées</b>		319 °C
<b>Résistance mécanique</b>		Conforme à la norme
<b>Puissance de chauffage et efficacité énergétique</b>		
CO (13% O <sub>2</sub> )		686 mg/m <sup>3</sup>
PM (13% O <sub>2</sub> )		14 mg/m <sup>3</sup>
NO <sub>x</sub> (13% O <sub>2</sub> )		81 mg/m <sup>3</sup>
OGC (13% O <sub>2</sub> )		51 mg/m <sup>3</sup>
Efficacité globale		75,1 %
Tirage du conduit de fumée		12 Pa
Puissance de chauffage		8,5 kW
Quantités de bûches à recharger		3.8 kg+1.8 kg+1.4 kg
Durée de vie		Conforme à la norme

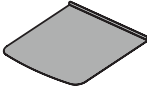
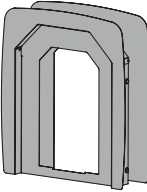
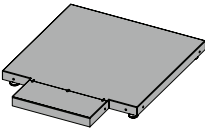
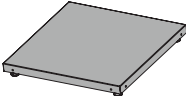


## ANNEXE 4

### PIÈCES DÉTACHÉES

Code	Modèle	Dénomination	Figure
SP0092	Pour tous les modèles Flow	Grille de décrochage	
SP0093	Pour tous les modèles Flow	Trappe de nettoyage	
SP0094	Pour tous les modèles Flow	Poignée de porte, vis compris	
SP0095	Flow	Bac à cendres	
SP0096	Flow LS		
SP0097	Flow Mini		
SP0098	Flow Mini LS		
SP0099	Flow/Flow LS	Vitre extérieure de la porte	
SP0100	Flow Mini / Flow Mini LS		
SP0101	Flow / Flow LS	Vitre intérieure de la porte avec joint	
SP0102	Flow Mini / Flow Mini LS		
SP0103	Pour tous les modèles Flow	Joint de porte avec adhésif	
SP0106	Pour tous les modèles Flow	Adhésif pour fixer le joint de porte	
SP0107	Pour tous les modèles Flow	Douille de fixation de porte avec boulon de montage	

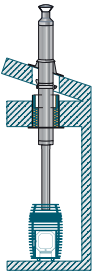
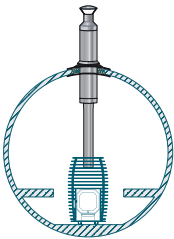
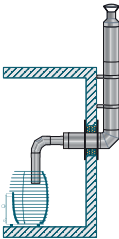
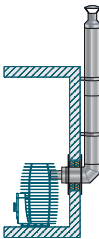
## ANNEXE 5

### PIÈCES DÉTACHÉES

Code	Dénomination/Modèle	Figure
H3017011	Plaque de protection du sol Pour tous les modèles Flow	
H3016012	Cadre de montage en acier inoxydable pour HIVE Flow LS	
H3016013	Cadre de montage peint en noir pour HIVE Flow LS	
H3018012	Cadre de montage en acier inoxydable pour HIVE Flow Mini LS	
H3018013	Cadre de montage en acier ordinaire pour HIVE Flow Mini LS	
H3016011	Support calorifuge pour HIVE Flow LS	
H3018011	Support calorifuge pour HIVE Flow	
H3009011	Bodenschutzplatte für HIVE Flow	
H3008011	Support calorifuge pour HIVE Flow Mini	
H3099021	Pierres pour sauna Ø 5-10cm	
H3009041	Cage à pierres Pour tous les modèles HIVE Flow. Capacité : 35-40 kg de pierres pour sauna	

## ANNEXE 5

### ACCESSOIRES

Code	Dénomination/Modèle	Figure
H3100	Kit de cheminée, raccordement à travers le plafond	
H3101	Kit de cheminée pour sauna en forme de tonneau	
H3102	Kit de cheminée, raccordement à travers le mur	
H310202	Kit de cheminée, raccordement arrière	

**NOTES**  
**REMARQUES**

**NOTES**  
**REMARQUES**

**HUUM**

 **OF SAUNA**



#huumsauna



[www.huum.eu](http://www.huum.eu)