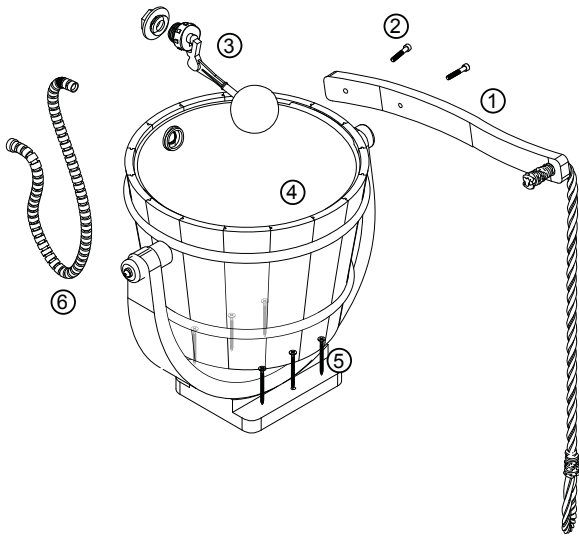


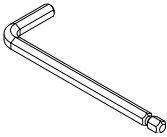
Pail Shower Installation Manual

Pail Shower Parts List



1. Handle with rope
2. M6 Handle Mounting Bolts x 2 pcs
3. Floater
4. Pail Assembly
5. 4mm Pail Holder Mounting Screws x 6 pcs
6. 1/2 inch Connection Hose

Requirements for Installation



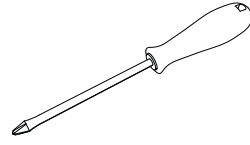
M5 Allen Wrench
(Included in the package)



Water Inlet with
1/2" inch thread



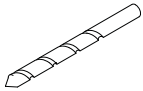
6mm Plastic Tox
(Included in the package)



Phillips Screw Driver



Drill

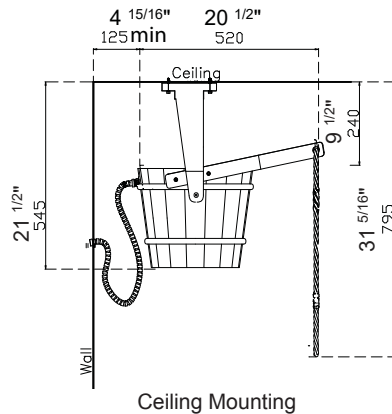
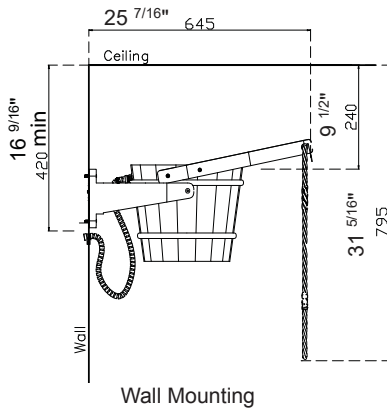


6mm drill bit



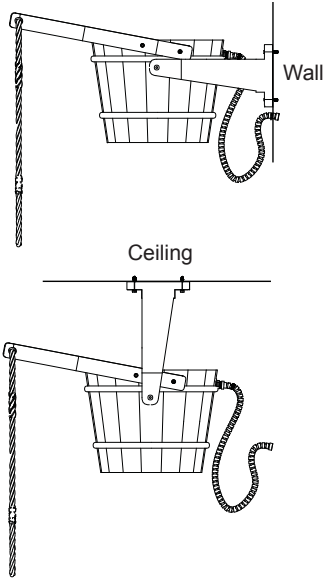
Ø4 mm screws
(Included in the package)

Note: Imperial
measurements are
approximations

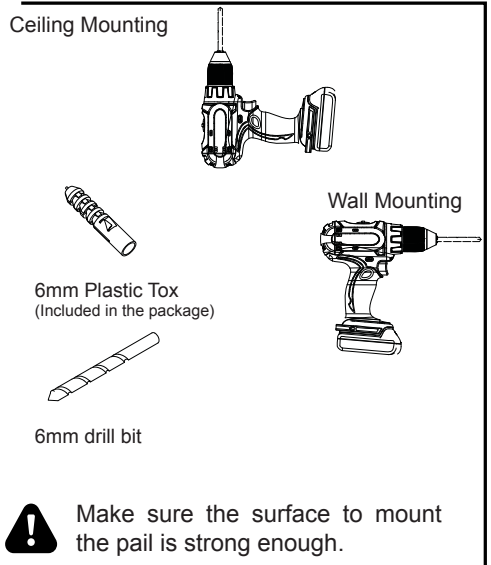


Pail Shower Installation

1 Choose desired installation either on the wall or ceiling.

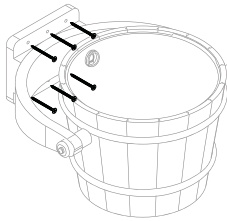


2 Pre-drill the wall/ceiling and insert plastic tox.

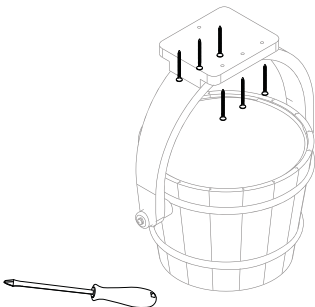


3 Screw and mount your pail.

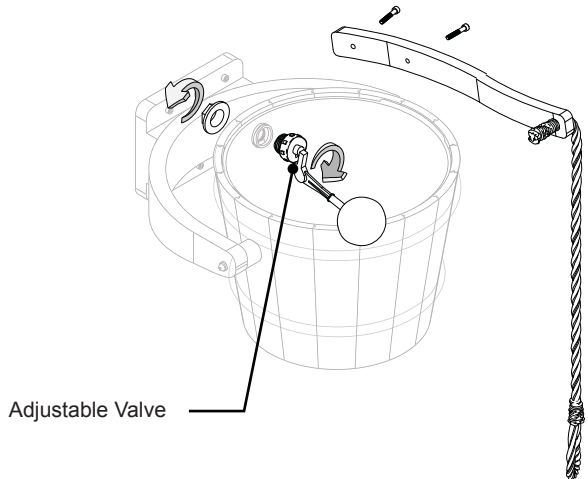
Wall Mounting



Ceiling Mounting



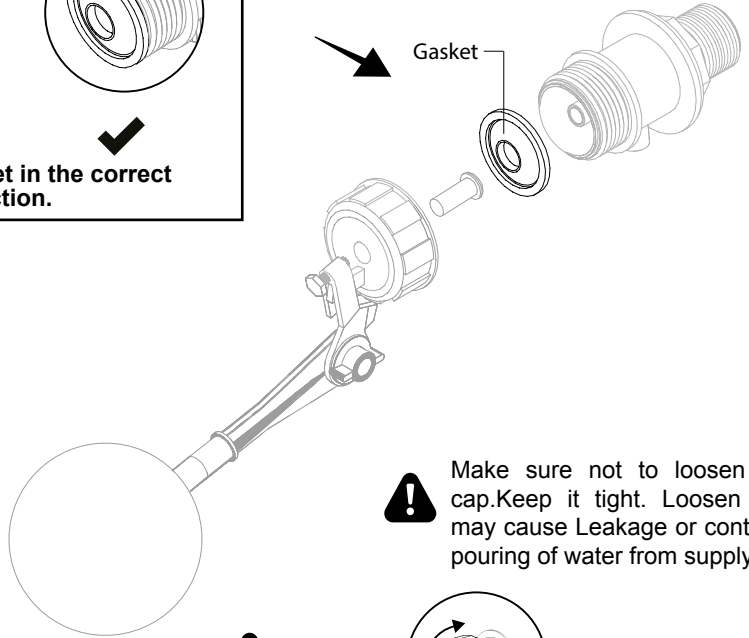
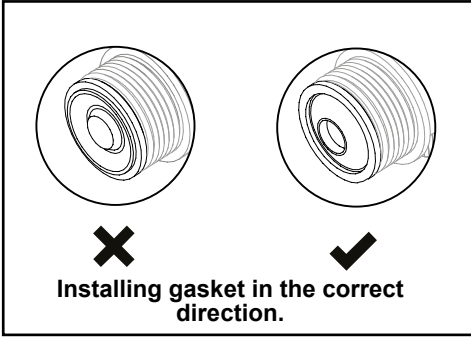
4 Attach floater to the pail and handle.



! Check if water level is desirable, if not, you can adjust the valve angle



Floater Adjustment

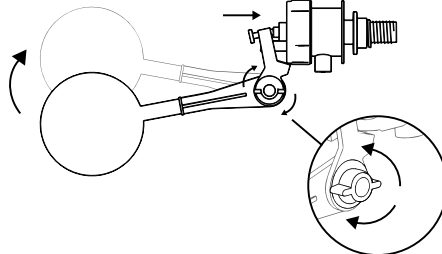
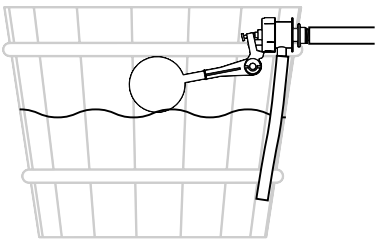


Make sure not to loosen the cap. Keep it tight. Loosen cap may cause Leakage or continue pouring of water from supply.



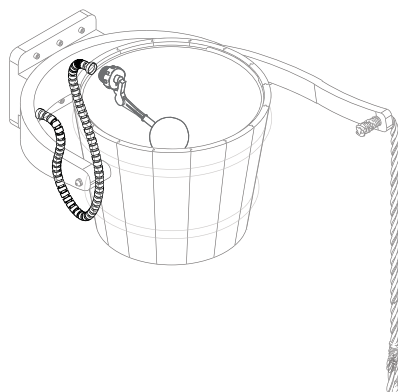
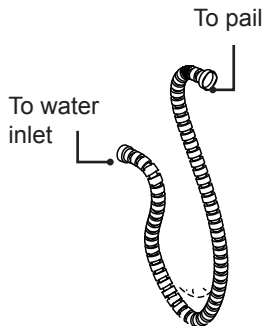
Do not install the floater upside down.


See to it that the water level is not above the plastic insert when using to avoid overflow.




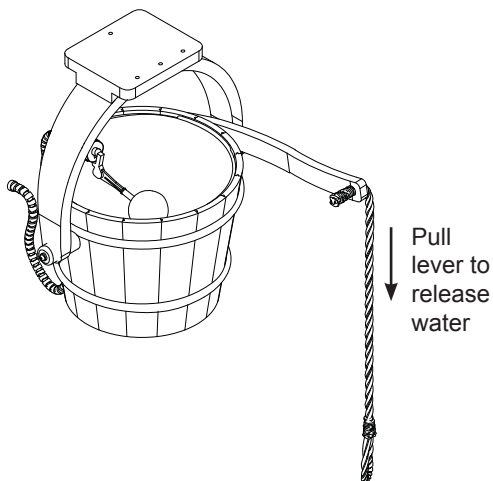
Loosen the lock to adjust the float to the desired water level. Make sure to tighten back else water may overflow.


5 Attach hose to water inlet



6 Turn on the water inlet.  Pull the lever and enjoy your bucket shower.

 Water will automatically be refilled after every shower.



 **If you noticed a broken part of the Pail Shower, stop using it immediately.**

CE IPX4 

Pidätämme oikeuden muutoksiin.
Subject to change without notice.



www.sawo.com | info@sawo.com